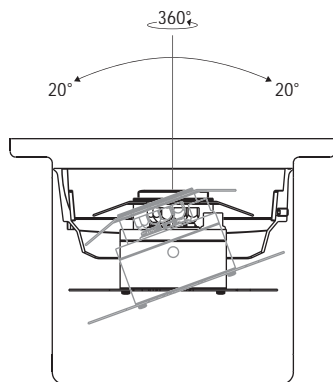




LS853LED Round Flush Cover



LED Source	20W*
Voltage	Line voltage: 110-240V AC, 50/60 Hz Line voltage for single colour only Low voltage: 24V DC (Ripple free supply) 12V AC (Magnetic trans. only) NOTE: Low voltage requires remote transformer/power supply.
Beam Angles	Narrow medium beam 25° Not available for RGB. Medium beam 30°
Adjustability	± 20°
LED Colours	<ul style="list-style-type: none"> ■ RGB □ White (4300 K typical) ■ Warm white (2900 K typical) ■ Blue (470 nm) Availability of other colours on request. Minimum order quantities may apply.
Control Signal	DMX / PWM for RGB
IP Rating	IP68
Housing Material / Finish	316 stainless steel
Cover	Recessed, round flush 316 stainless steel: - polished - brushed
Glass	OptiClear™ GripGlass™ Toughened borosilicate NOTE: Borosilicate glass is not suitable for use with pre-installation kits.
Mounting Options <i>Order separately</i>	Direct burial LS640 mounting collar for decks LS6072-K pre-installation concrete blockout for RGB LS6052-K pre-installation concrete blockout for single colour line voltage LS6102-K pre-installation concrete blockout for single colour low voltage
Drive-over Option <i>Order separately</i>	LS6072-K or LS6052-K or LS6102-K pre-installation concrete blockout with OptiClear™ or GripGlass™
Cable Length	3 m standard Other lengths available on request.
Static Load Rating	4200 kg when using OptiClear™
Impact Rating	IK10 when using OptiClear™
Ambient Temp. Rating	-20 °C to 50 °C
Warranty	10 year structural 12 month electrical
Accessories	LS688 wall wash lens LS636 brass grill
Photometrics	Refer to www.lumascope.com

*Nominal power consumption using a DC power supply. Actual power consumed may vary. Power supply not included.



LAMP

Description	Wattage	Code
RGB	20W	20M4
White		20W4
Warm white		20H6
Blue		20B4

OPTICAL SYSTEM

Description	Beam	Code
Narrow medium ⁽¹⁾	25°	NM
Medium	30°	M

⁽¹⁾ Not available for RGB.

LENS

Description	Code
OptiClear™ Very high optical purity and load strength	A
GripGlass™ OptiClear™ with slip reduction glazing process	G
Borosilicate* Ideal for general use areas	X

*Borosilicate glass is not suitable for use with pre-installation kits

BODY DEPTH

Description	Depth	Code
Direct burial	180 mm	28
Pre-installation concrete blackout ⁽¹⁾	280 mm	29
Mounting collar only ⁽²⁾	180 mm	

⁽¹⁾ Requires LS640 - order separately

⁽²⁾ Requires LS6052-K, LS6072-K or LS6102-K - order separately. For other body depths consult factory.

COVER

Description	Material	Finish	Code
Recessed ⁽¹⁾	Stainless steel	Polished	B
		Brushed	H
Round flush ⁽²⁾ to suit pre-install and mounting collar	Stainless steel	Polished	M
		Brushed	N
Round flush ⁽¹⁾	Stainless steel	Polished	D
Surface trim not recessed	Stainless steel	Brushed	I

⁽¹⁾ Not compatible with concrete blackout or mounting collar.

⁽²⁾ Use only with concrete blackout or mounting collar.

CABLE ENTRY LOCATION

Description	Code
Side ⁽¹⁾	N
Bottom	Q

⁽¹⁾ Not compatible with concrete blackout or mounting collar.

SUPPLY VOLTAGE

Voltage	Code
110-240V AC, 50/60 Hz ⁽¹⁾	1
24V DC / 12V AC ⁽²⁾	7

⁽¹⁾ Requires LS6052-K - order separately. Not available for RGB.

⁽²⁾ Requires LS6102-K for single colour - order separately. Requires LS6072-K for RGB - order separately.

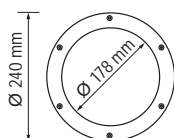
CABLE ENTRY TYPE

Description	Code
Armoured cable and J-Box ⁽¹⁾	81
Single gland entry, MicroAntiLeach™	84
IP68 connector and J-Box ⁽²⁾	85

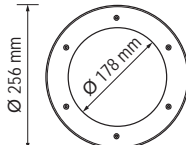
⁽¹⁾ Not available for RGB. Not applicable with pre-installation blackout.

⁽²⁾ Not available for RGB.

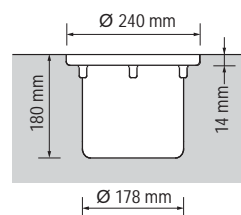
Recessed Cover



Round Flush Cover



Direct Burial



Pre-installation / Concrete Blockout

