



The LS265LED is a high performance fountain light utilising LED technology. The durable Lumascope 316 marine grade stainless steel underwater luminaire and long life LED source are an ideal combination. The single colour version is designed to operate on standard 12 V AC magnetic transformers making the installation as simple as other low voltage underwater luminaires. The LS265LED has the added advantage of being supplied factory sealed, with no requirement to open the luminaire during installation. This luminaire can also operate in very shallow water.

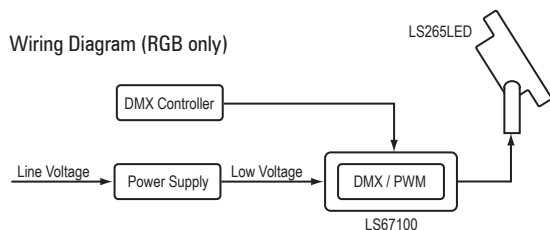
### SPECIFICATIONS

<b>LED Source</b>	LED 28 W <sup>(1)</sup> <input type="checkbox"/> White (4300 K typical) <input type="checkbox"/> Warm white (3000 K typical) <input type="checkbox"/> Blue (470 nm) <input type="checkbox"/> RGB
<b>Control Signal</b>	DMX / PWM - RGB only
<b>IP Rating</b>	IP68
<b>Submersion Depth</b>	2 m
<b>Construction</b>	316 marine grade stainless steel
<b>Installation Type</b>	Bracket mount
<b>Standard Inclusions</b>	Teflon coated cover screws <b>MicroAntiLeach™</b> cable entry 5 m cable
<b>Ambient Operating Temperature</b>	5 °C to 40 °C
<b>Warranty</b>	5 year structural, 1 year electrical
<b>Accessories</b> <i>Order separately</i>	<b>LS6074</b> mounting plate
<b>Photometrics</b>	Go to <a href="http://www.lumascope.com.au">www.lumascope.com.au</a> ▶ Technical Data ▶ Photometric Files

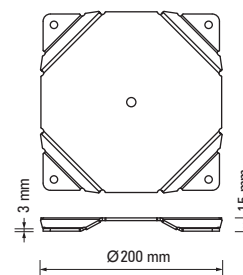
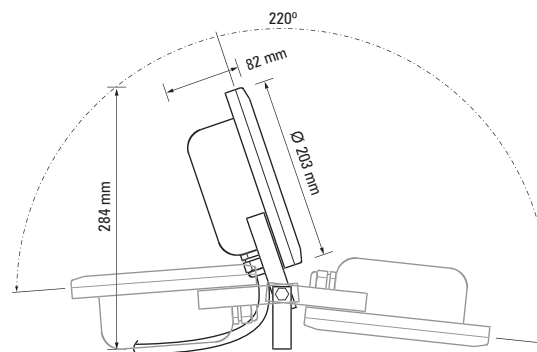
NOTE: Product specifications are subject to change without notice. Any luminaire can become hot - take care with appropriate use and placement.

<sup>(1)</sup> Nominal power consumption using a DC power supply. Actual power consumed may vary. Power supply not included.

#### Wiring Diagram (RGB only)



LS265LED Tristar



LS6074 Mounting Plate

### CONFIGURE THIS PRODUCT >

LS265LED						7	
<b>LED SOURCE</b>			<b>OPTICAL SYSTEM</b>			<b>SUPPLY VOLTAGE</b>	
<b>Wattage</b>	<b>Colour</b>	<b>Code</b>	<b>Beam</b>		<b>Code</b>	<b>Voltage</b>	<b>Code</b>
28 W	White (4300 K typical)	28W4	Narrow <sup>(1)</sup>	17°	N	12 V AC <sup>(1)</sup>	7
	Warm white (3000 K typical)	28H6	Medium	30°	M		
	Blue (470 nm)	28B4	Linear horizontal <sup>(1)</sup>	40° x 20°	LH		
	RGB	28M4	Linear vertical <sup>(1)</sup>	20° x 40°	LV		

<sup>(1)</sup> Requires remote transformer.

<sup>(1)</sup> Not applicable for RGB.

NOTE: Beam angle values are nominal.