



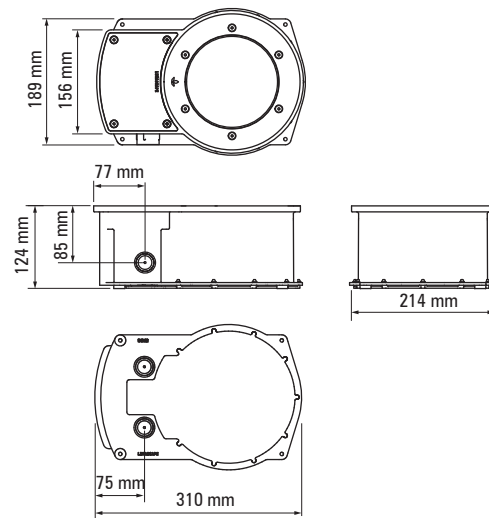
The LS353 ultra shallow inground luminaire is 124 mm deep and is specifically designed for applications where minimal depth is critical, such as allowing the housing to be integrated into suspended concrete slabs. The LS353 is suitable for use in high pedestrian traffic areas and can be used for drive-over applications.

SPECIFICATIONS

Lamp Source	MH / HIT (PGJ5)	20 W max ⁽¹⁾
IP Rating	IP68	
Construction	Cover - 316 marine grade stainless steel Body - UV stabilised 30% glass filled PBT/PC high impact strength polymer	
Installation Type	Direct burial <i>Drive-over, landscapes, etc.</i>	
Drive-over	With OptiClear™ or GripGlass™ lens when the housing is encased in concrete	
Static Load Rating	1800 kg	
Impact Rating	IK9 with OptiClear™ lens	
Standard Inclusions	Teflon coated cover screws 25 mm conduit adaptor with cast resin or 3 m MicroAntiLeach™ cable Ballast with in-built thermal cutout Pre-installation cover kit Humidity absorbent desiccant	
Ambient Operating Temperature	-20 °C to 45 °C	
Warranty	10 year structural, 1 year electrical	
Accessories <i>Order separately</i>	LS6065 linear spreader lens LS6066 prismatic lens LS6067 concentric louvre LS6064 R/G/B/Y dichroic filters LS6079 HumanTouch™ lens	
Photometrics	Go to www.lumascap.com.au ▶ Technical Data ▶ Photometric Files	
Glass Temperature	HumanTouch™ compliant ≤65 °C	



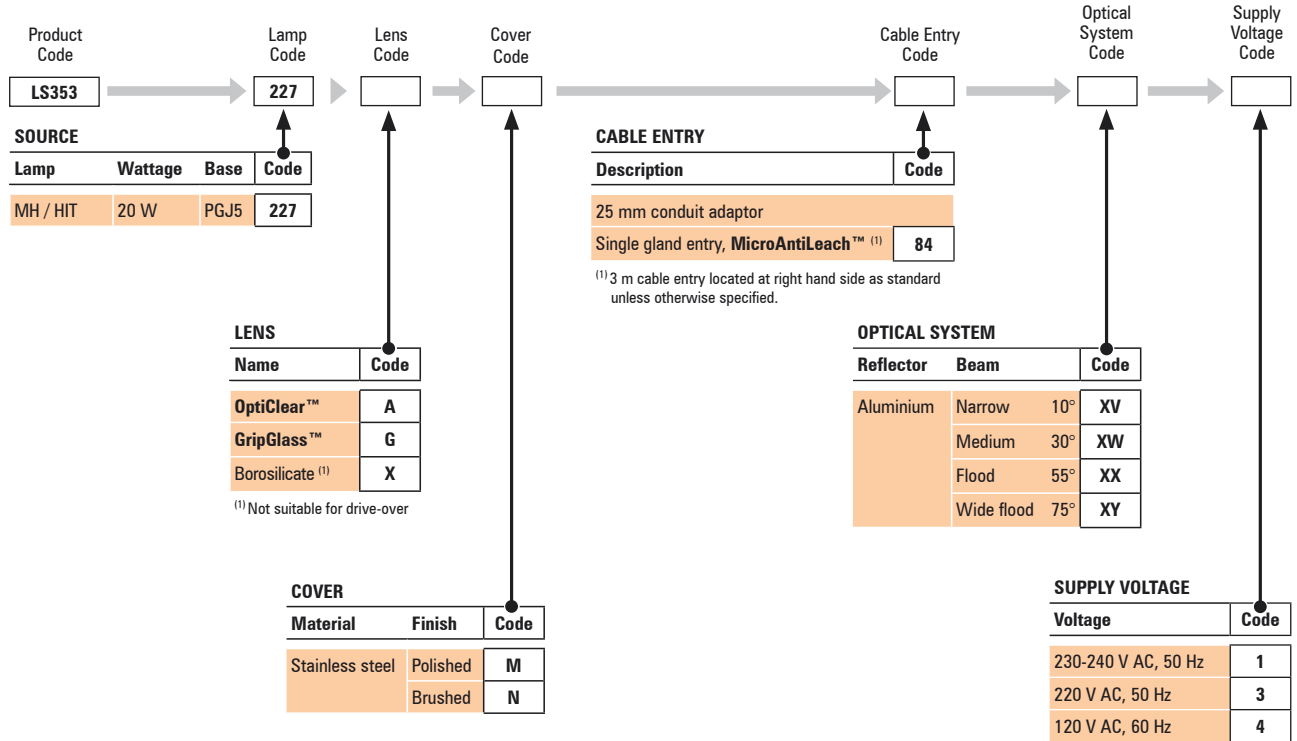
LS353 Shallow Inground



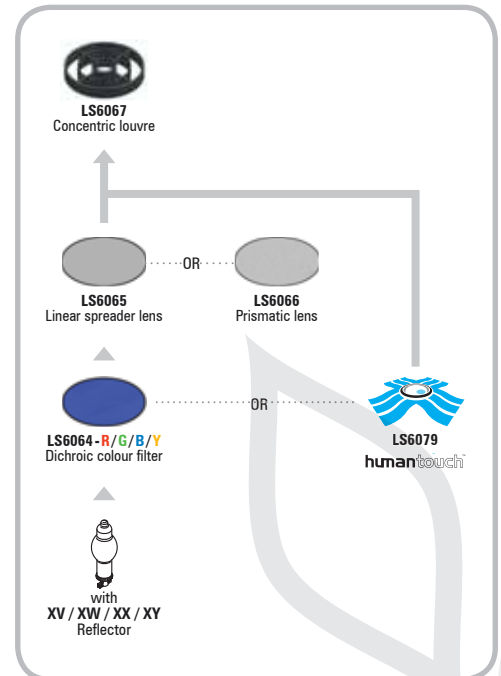
NOTE: Product specifications are subject to change without notice. Any luminaire can become hot - take care with appropriate use and placement.

⁽¹⁾ Nominal power consumption only, actual power consumed may vary.

 CONFIGURE THIS PRODUCT >



ACCESSORIES



Other accessory stacking options may be available - consult factory