



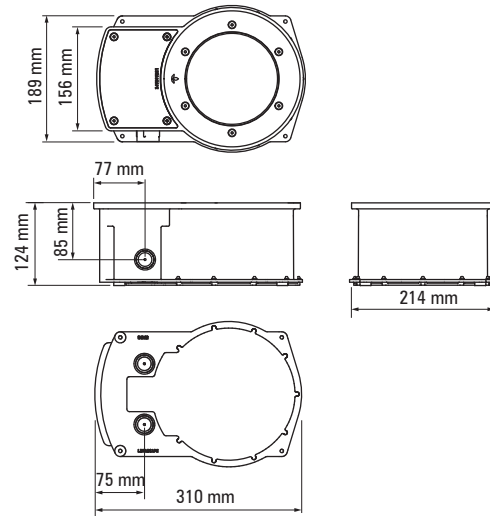
The LS353LED ultra shallow inground luminaire is 124 mm deep and is specifically designed for applications where minimal depth is critical. The luminaire is suitable for use in high pedestrian traffic areas and can be used for drive-over applications. The shallow depth allows the housing to be integrated into suspended concrete slabs.

**SPECIFICATIONS**

<b>LED Source</b>	LED 14 W or 20 W <sup>(1)</sup> <input type="checkbox"/> White (4300 K typical) <input type="checkbox"/> Warm white (3000 K typical) <input type="checkbox"/> Blue (470 nm)
<b>IP Rating</b>	IP68
<b>Construction</b>	Cover - 316 marine grade stainless steel Body - UV stabilised 30% glass filled PBT/PC high impact strength polymer
<b>Installation Type</b>	Direct burial <i>Drive-over, landscapes, etc.</i>
<b>Drive-over</b>	With <b>OptiClear™</b> or <b>GripGlass™</b> lens when the housing is encased in concrete
<b>Static Load Rating</b>	1800 kg
<b>Impact Rating</b>	IK9 with <b>OptiClear™</b> lens
<b>Standard Inclusions</b>	Teflon coated cover screws 25 mm conduit adaptor with cast resin or 3 m <b>MicroAntiLeach™</b> cable Driver with in-built thermal cutout Pre-installation cover kit Humidity absorbent desiccant
<b>Ambient Operating Temperature</b>	-20 °C to 45 °C
<b>Warranty</b>	10 year structural, 3 year LED and driver
<b>Photometrics</b>	Go to <a href="http://www.lumascape.com.au">www.lumascape.com.au</a> ▶ Technical Data ▶ Photometric Files
<b>Glass Temperature</b>	<b>HumanTouch™</b> compliant ≤65 °C



LS353LED Shallow Inground



NOTE: Product specifications are subject to change without notice. Any luminaire can become hot - take care with appropriate use and placement

<sup>(1)</sup> Nominal power consumption only, actual power consumed may vary.

**CONFIGURE THIS PRODUCT >**

LS353LED → [ ] → [ ] → [ ] → [ ] → [ ] → 1

LED SOURCE			LENS		CABLE ENTRY		OPTICAL SYSTEM			
Wattage	Colour	Code	Name	Code	Description	Code	Beam	Code		
14 W	White (4300 K typical)	14W4	OptiClear™	A	25 mm conduit adaptor	84	Narrow	14°	N	
	Warm white (3000 K typical)	14H6	GripGlass™	G			Medium	30°	M	
	Blue (470 nm)	14B4				Linear horizontal	40° x 20°	LH		
20 W	White (4300 K typical)	20W4				<sup>(1)</sup> 3 m cable entry located at right hand side as standard unless otherwise specified.	Linear vertical	20° x 40°	LV	
	Warm white (3000 K typical)	20H6					NOTE: Beam angle values are nominal.			
	Blue (470 nm)	20B4								
COVER			SUPPLY VOLTAGE							
Material	Finish	Code	Voltage	Code						
Stainless steel	Polished	M	90-277 V AC 50/60 Hz	1						
	Brushed	N								