



The LS411 is a compact and adjustable luminaire featuring metal halide, LED and halogen lamp options with an aesthetically pleasing form. This unit is particularly popular when spike mounted. It is also suited for architectural spotlighting and signage applications.

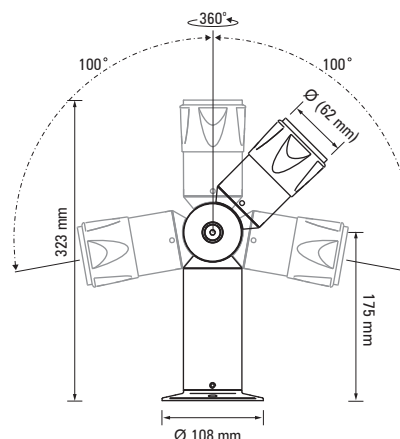
**SPECIFICATIONS**

<b>Lamp Source</b>	MH MR16 (GX10)	20 W
	Halogen MR16 (GU5.3)	50 W max
<b>IP Rating</b>	IP67	
<b>Construction</b>	Powder coated aluminium	
	<input type="checkbox"/> Black <input type="checkbox"/> Silver	
<b>Installation Types</b>	Surface mount	
	Adaptor base with choice of:	
	Pole clamp single Pole clamp double Signage system Concrete anchor / spike ( <i>low voltage only</i> )	
<b>Standard Inclusions</b>	Internal glare control louvre	
	Silicone handgrip to allow hot focusing	
	Integral electronic control gear ( <i>MH only</i> )	
<b>Ambient Operating Temperature</b>	-20 °C to +50 °C	
<b>Warranty</b>	2 year structural, 1 year electrical	
<b>Accessories</b>	Refer to page 2	
<i>Order separately</i>		
<b>Photometrics</b>	Use photometry files from your lamp manufacturer	

NOTE: Product specifications are subject to change without notice. Any luminaire can become hot - take care with appropriate use and placement.



**LS411 Omnio Mini**  
Surface mount



Surface Mount  
Mounting Code A

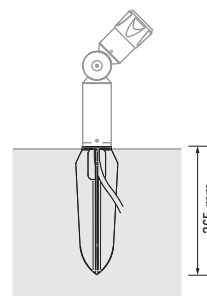
**CONFIGURE THIS PRODUCT >**

LS411

SOURCE				SUPPLY VOLTAGE	
Lamp	Wattage	Base	Code	Voltage	Code
MH MR16	20 W	GX10	296	220-240 V AC 50/60 Hz <sup>(1)</sup>	1
Halogen MR16	50 W max	GU5.3	295	12 V AC 50 Hz <sup>(2)</sup>	7

<sup>(1)</sup> Metal Halide MR16 only.  
<sup>(2)</sup> Halogen MR16 only. Requires remote transformer.

MOUNTING		FINISH		
Description	Code	Description	Material	Code
Surface mount	A	Powder coated black	Aluminium	CB
Pole clamp <sup>(1)</sup>	B	Powder coated anodic silver	Aluminium	CS
Signage pole <sup>(2)</sup>				
Concrete anchor / spike <sup>(3)</sup>	C			



Concrete Anchor / Spike  
Mounting Code C

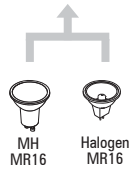
<sup>(1)</sup> Requires LS6023-1 or LS6023-2 - order separately.

<sup>(2)</sup> Requires LS6025 - order separately.

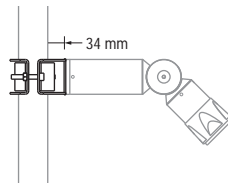
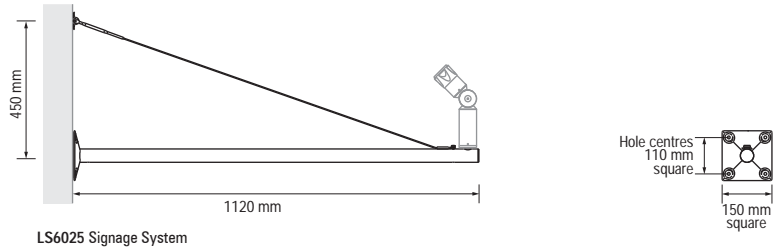
<sup>(3)</sup> Not available with line voltage in Australia - check your local regulations.

ACCESSORIES

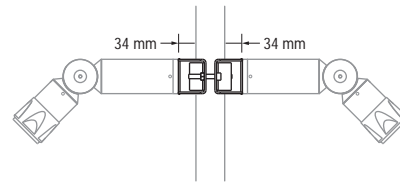
Filters and Lenses



MOUNTING OPTIONS



Clamp range  
38 mm - 78 mm pole diameter



Clamp range  
38 mm - 78 mm pole diameter

Finish Options For Accessories

Accessory	Code	Finish	Material	Code
Signage system	LS6025	Powder coated black	Aluminium	CB
Pole clamp	LS6023-1	Powder coated anodic silver	Aluminium	CS
Double pole clamp	LS6023-2			