



The LS411LED is a compact and adjustable luminaire with an aesthetically pleasing form. This unit is particularly popular when spike mounted. It is also suited for architectural spotlighting and signage applications.

**SPECIFICATIONS**

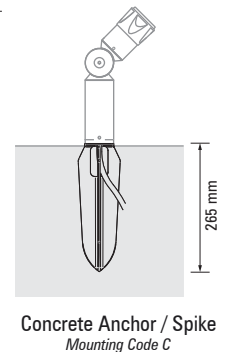
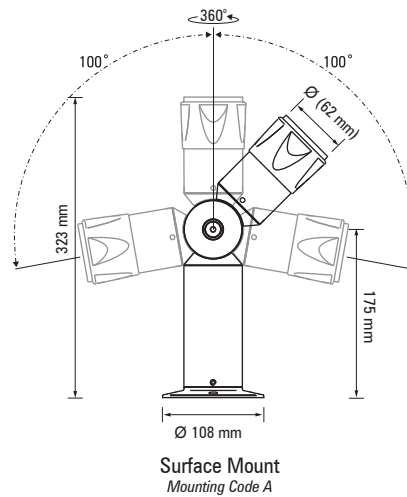
<b>LED Source</b>	LED 9 W or 15 W <sup>(1)</sup> <input type="checkbox"/> White (4300 K typical) <input type="checkbox"/> Warm white (3000 K typical) <input type="checkbox"/> Blue (470 nm) <i>Other colours by request</i> LED 12 W <sup>(1)</sup> <input type="checkbox"/> RGB
<b>IP Rating</b>	IP67
<b>Construction</b>	Powder coated aluminium <input type="checkbox"/> Black <input type="checkbox"/> Silver
<b>Installation Types</b>	Surface mount Adaptor base with choice of: Pole clamp single - <i>order separately</i> Pole clamp double - <i>order separately</i> Signage system - <i>order separately</i> Concrete anchor / spike - <i>remote driver only</i>
<b>Standard Inclusions</b>	OptiClear™ glass Internal glare control louvre Silicone handgrip to allow hot focusing
<b>Ambient Operating Temperature</b>	-20 °C to +50 °C
<b>Warranty</b>	2 year structural, 1 year electrical
<b>Accessories</b>	Refer to page 2 <i>Order separately</i>
<b>Photometrics</b>	Go to <a href="http://www.lumascape.com.au">www.lumascape.com.au</a> ▶ Technical Data ▶ Photometric Files
<b>Surface Temperature</b>	HumanTouch™ compliant ≤65 °C

NOTE: Product specifications are subject to change without notice. Any luminaire can become hot - take care with appropriate use and placement.

<sup>(1)</sup> Nominal power consumption only, actual power consumed may vary.



LS411LED Omnio Mini

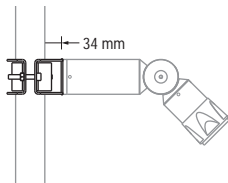
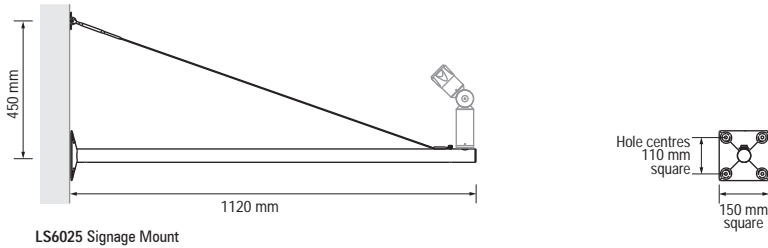


**CONFIGURE THIS PRODUCT >**

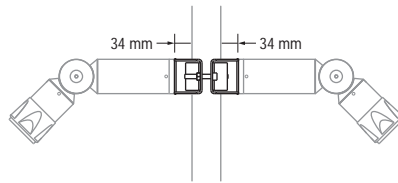
LS411LED											
<b>LED SOURCE</b>			<b>OPTICAL SYSTEM</b>			<b>MOUNTING</b>		<b>SUPPLY VOLTAGE</b>		<b>FINISH</b>	
<b>Wattage</b>	<b>Colour</b>	<b>Code</b>	<b>BEAM</b>	<b>Code</b>	<b>Description</b>	<b>Code</b>	<b>Voltage</b>	<b>Code</b>	<b>Colour</b>	<b>Code</b>	
9 W	White (4300 K typical)	9W4	Narrow <sup>(1)</sup>	14°	N	Surface mount	A	100-240 V AC, 50/60 Hz <sup>(1)</sup>	1	Black	CB
	Warm white (3000 K typical)	9H6	Medium	30°	M	Pole clamp <sup>(1)</sup>	B	Remote driver <sup>(2)</sup>	R	Silver	CS
	Blue (470 nm)	9B4	Linear spreader <sup>(1)</sup>	40° x 20°	L	Signage system <sup>(2)</sup>	B				
12 W	RGB <sup>(1)</sup>	12M4	NOTE: Beam angle values are nominal.			Concrete anchor / spike <sup>(3)</sup>	C				
15 W	White (4300 K typical)	15W4						<sup>(1)</sup> Not applicable for RGB.			
	Warm white (3000 K typical)	15H6						<sup>(2)</sup> 9 W requires LS6095 - order separately. 12 W requires LS67505 - order separately. 15 W requires LS6127 - order separately.			
	Blue (470 nm)	15B4						<sup>(3)</sup> Remote driver only, select voltage code R.			

<sup>(1)</sup> Remote RGB driver only, select voltage code R.

MOUNTING OPTIONS



LS6023-1 Pole Clamp  
Clamp range  
38 mm - 78 mm pole diameter



LS6023-2 Double Pole Clamp  
Clamp range  
38 mm - 78 mm pole diameter

Finish Options For Accessories

Accessory	Code	Finish	Material	Code
Signage system	LS6025	Powder coated black	Aluminium	CB
Pole clamp	LS6023-1	Powder coated anodic silver	Aluminium	CS
Double pole clamp	LS6023-2			