

The LS431LED is a remote driver, surface mount luminaire, suitable for use where the driver can be conveniently housed close by. It is designed for all hard surfaces in any orientation. It is a low profile luminaire, which can be desirable in many architectural lighting applications. Choices of beam angles, light and glare control accessories are available.

SPECIFICATIONS

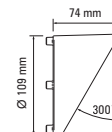
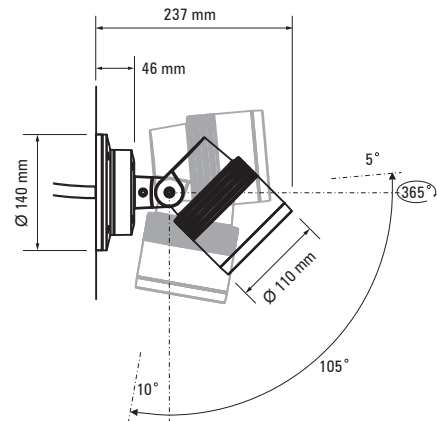
| | |
|---|---|
| LED Source | LED 14 W or 27 W ⁽¹⁾ <input type="checkbox"/> White (4300 K typical) <input type="checkbox"/> Warm white (3000 K typical) <input type="checkbox"/> Blue (470 nm) LED 24 W ⁽¹⁾ <input type="checkbox"/> RGB |
| IP Rating | IP66 / IP67 |
| Construction | Powder coated aluminium <input type="checkbox"/> Black <input type="checkbox"/> Silver Custom powder coat colours available. |
| Installation Type | Surface mount |
| Standard Inclusions | Integral driver OptiClear™ glass |
| Ambient Operating Temperature | -20 °C to +50 °C |
| Warranty | 2 year structural, 1 year electrical |
| Accessories <i>Order separately</i> | LS6097 Remote constant current driver LS67507 Remote RGB driver LS6104 External glare shield |
| Photometrics | Go to www.lumascap.com.au ▶ Technical Data ▶ Photometric Files |
| Surface Temperature | HumanTouch™ compliant ≤65 °C |

NOTE: Product specifications are subject to change without notice. Any luminaire can become hot - take care with appropriate use and placement.

⁽¹⁾ Nominal power consumption only, actual power consumed may vary.



LS431LED Centria
Surface mount remote gear



LS6104 External Glare Shield

CONFIGURE THIS PRODUCT >

LS431LED

| LED SOURCE | | | OPTICAL SYSTEM | | | LED DRIVER | | FINISH | | |
|------------|-----------------------------|------|--|--------|------|--|------|-----------------------------|-----------|------|
| Wattage | Colour | Code | Beam | | Code | Description | Code | Type | Material | Code |
| 14 W | White (4300 K typical) | 14W4 | Narrow ⁽¹⁾ | 14° | N | Remote driver ⁽¹⁾ ⁽¹⁾ Single colour requires LS6097 - order separately. RGB requires LS67507 - order separately. | R | Powder coated black | Aluminium | CB |
| | Warm white (3000 K typical) | 14H6 | | Medium | 30° | | | | | |
| | Blue (470 nm) | 14B4 | Linear horizontal ⁽¹⁾ 40° x 20° | | LH | | | | | |
| 27 W | White (4300 K typical) | 27W4 | Linear vertical ⁽¹⁾ 20° x 40° | | LV | | | Powder coated anodic silver | Aluminium | CS |
| | Warm white (3000 K typical) | 27H6 | | | | | | | | |
| | Blue (470 nm) | 27B4 | | | | | | | | |
| 24 W | RGB | 24M4 | | | | | | | | |

⁽¹⁾ Not available for RGB.
 NOTE: Aims with luminaire. Beam angle values are nominal.