



The LS563LED is a marker light featuring a luminous surface with uniform brightness. A 3 W version is also available, suitable for uplighting applications requiring a beam of light. Constructed from 316 marine grade stainless steel, the luminaire features an **ElectroPolishPlus™** finish for enhanced appearance and corrosion protection.

SPECIFICATIONS

LED Source	LED 1 W or 3 W ⁽¹⁾ <input type="checkbox"/> White (4300 K typical) <input type="checkbox"/> Warm white (3000 K typical) <input type="checkbox"/> Blue (470 nm) <i>Other colours by request</i> <input type="checkbox"/> RGB (3 W only)
IP Rating	IP68
Construction	316 marine grade stainless steel
Installation Types	Direct burial <i>Landscapes, etc.</i> Pre-installation blackout <i>Drive-over or other applications requiring pre-installation (LS698-K)</i>
Drive-over	With pre-installation blackout (LS698-K) only
Static Load Rating	1100 kg with pre-installation blackout (LS698-K)
Impact Rating	IK7
Standard Inclusions	Integral driver with field intensity setting MicroAntiLeach™ cable entry
Ambient Operating Temperature	-20 °C to +50 °C
Warranty	10 year structural, 1 year electrical
Accessories <i>Order separately</i>	LS67501 remote RGB driver LS698-K pre-installation blackout
Photometrics	Go to www.lumascap.com.au ▶ Technical Data ▶ Photometric Files
Glass Temperature	HumanTouch™ compliant ≤65 °C

NOTE: Product specifications are subject to change without notice. Any luminaire can become hot - take care with appropriate use and placement

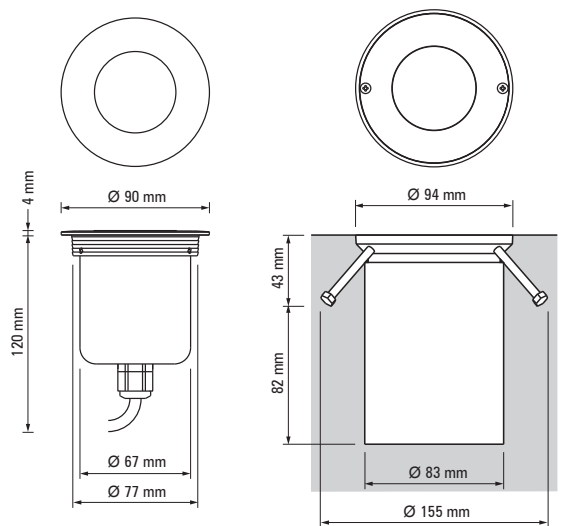
⁽¹⁾ Nominal power consumption only, actual power consumed may vary.



LS563LED Vedi
1 W version with diffused lens



LS563LED Vedi
3 W version with clear lens



CONFIGURE THIS PRODUCT >

LED SOURCE			FINISH		OPTICAL SYSTEM		INSTALLATION TYPE		SUPPLY VOLTAGE					
Wattage	Colour	Code	Type	Code	Beam	Code	Installation	Code	Voltage	Code				
1 W	White (4300 K typical)	1W4	Stainless steel	SS	Narrow ⁽¹⁾	14°	N	Direct burial	21	110-240 V AC, 50/60 Hz	1			
	Warm white (3000 K typical)	1H6			Medium	30°				M	Pre-installation ⁽¹⁾	23	24 V DC or 12 V AC ⁽¹⁾	7
	Blue (470 nm)	1B4			Wide	40°				W	Remote RGB driver ⁽²⁾	R	Remote RGB driver ⁽²⁾	R
3 W	White (4300 K typical)	3W4			<i>Beams not applicable with 1 W.</i>									
	Warm white (3000 K typical)	3H6			⁽¹⁾ Not available for RGB.									
	Blue (470 nm)	3B4			NOTE: Beam angle values are nominal.									
	RGB ⁽¹⁾	3M4			⁽¹⁾ Requires remote power supply or transformer. ⁽²⁾ RGB requires LS67501 - order separately.									

⁽¹⁾ Remote RGB driver only, select voltage code R.