



The LS9405LED has been specifically engineered for underwater use in pools and other water features. Several beam angles are available, ranging from narrow to wide. Constructed from 316 marine grade stainless steel the LS9405LED is built to last.

**SPECIFICATIONS**

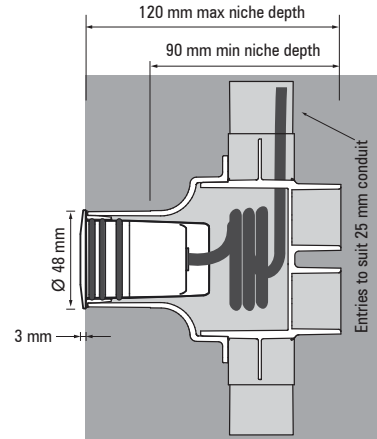
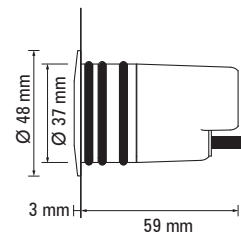
<b>LED Source</b>	LED 2 W <sup>(1)</sup> <input type="checkbox"/> White (4300 K typical) <input type="checkbox"/> Warm white (3000 K typical) <input checked="" type="checkbox"/> Blue (470 nm) Availability of other colours on request. Minimum order quantities may apply.
<b>Control Signal</b>	PWM <i>Optional for 24 V DC and 12 V AC versions</i>
<b>IP Rating</b>	IP68
<b>Submersion Depth</b>	8 m
<b>Construction</b>	316 marine grade stainless steel bezel
<b>Installation Type</b>	Pre-installation concrete blockout niche <i>Supplied as standard</i>
<b>Standard Inclusions</b>	Integral driver with field intensity setting <b>OptiClear™</b> glass <b>MicroAntiLeach™</b> cable entry 8 m cable
<b>Dimmable</b>	Using <b>LS6125</b> 0-10 V dimming NOTE: 4 wires circuit required to be run to luminaire
<b>Ambient Operating Temperature</b>	5 °C to 40 °C
<b>Warranty</b>	5 year structural, 3 year LED and driver
<b>Accessories</b>	<b>LS6125</b> 0-10 V dimmer system <b>LS6122</b> wall plate dimmer
<b>Photometrics</b>	Go to <a href="http://www.lumascope.com.au">www.lumascope.com.au</a> ▶ Technical Data ▶ Photometric Files

NOTE: Product specifications are subject to change without notice. Any luminaire can become hot - take care with appropriate use and placement.

<sup>(1)</sup> Nominal power consumption using a DC power supply. Actual power consumed may vary. Power supply not included.

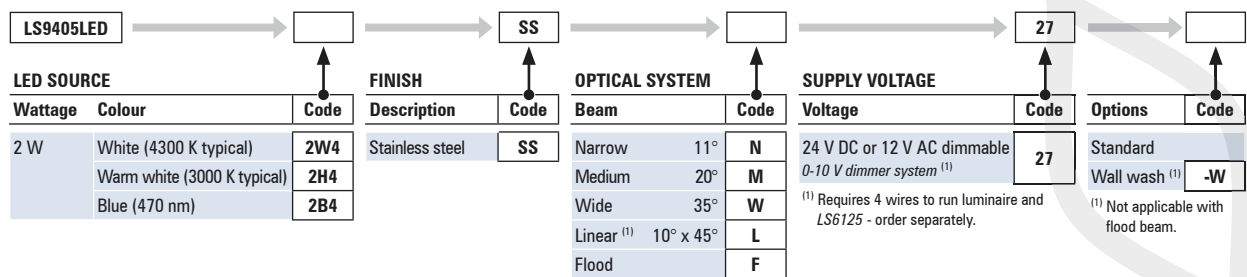


LS9405LED Vedita



Pre-installation Concrete Blockout Niche

**CONFIGURE THIS PRODUCT >**



<sup>(1)</sup> Linear with wall wash filter creates a linear horizontal beam.

NOTE: Beam angle values are nominal.

<sup>(1)</sup> Requires 4 wires to run luminaire and LS6125 - order separately.

<sup>(1)</sup> Not applicable with flood beam.