



The LS421 is one of the most compact and versatile surface mount luminaires in its class, featuring integral electronic ballast. Choices of lamps, beam angles, light and glare control accessories are available. The LS421 is ideal for direct or indirect applications and features 2 axes of adjustment, both of which are lockable.

Electrical

Lamp	20W, 35W, 70W MH T4 (G8.5) (International Market) 20W, 39W, 70W MH T4 (G8.5) (North America)
Input Voltage	Mains Voltage 100-277V AC, 50/60Hz

Physical

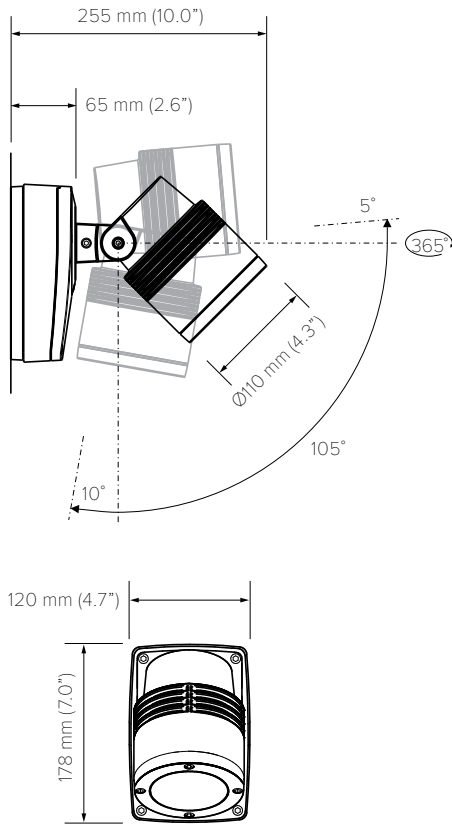
Housing	LM20 die cast marine grade powder coated aluminium
Installation	Surface mount
Ambient Operating Temperature	-20°C to 50°C (-4°F to 122°F) 20W, 35W, 39W -20°C to 40°C (-4°F to 104°F) 70W

Certification & Compliance

IP Rating	IP66 / IP67
Certifications	CE, ETL

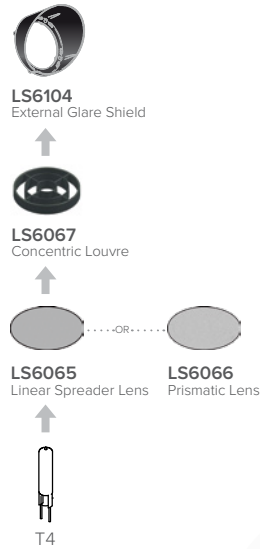


Luminaire Dimensions

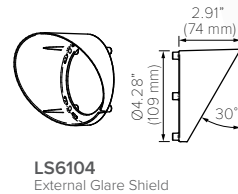


Luminaire Accessories

Stacking and order of accessories



Other accessory stacking options may be available - consult factory



Lamp		Beam		Input Voltage (International)		Finish	
Code		Code		Code		Code	
211 ^(f)	20W MH - T4 (G8.5)	XV	Narrow 12°	01	220-240V AC, 50/60 Hz	BL	Black
212 ^(f)	35/39W MH - T4 (G8.5)	XW	Medium 30°	09	120-277V AC, 50/60 Hz	SL	Anodic Silver
213 ^(f)	70W MH - T4 (G8.5)	XX	Flood 54°			WT	White
		XY	Wide Flood 74°				

(f) Electronic Ballast