

Linealux L1 Linear Facade Installation Instructions



NO POWER
TOOLS



KEEP AWAY FROM
FLAMMABLE MATERIAL



DO NOT USE SILICONE
ON OUTSIDE SURFACE



KEEP ELECTRONICS FREE
FROM DIRECT AND MOISTURE



DO NOT HOSE OR
PRESSURE CLEAN



DO NOT USE CHEMICALS
OR ABRASIVES

READ ALL SAFETY INSTRUCTIONS FIRST

- › Follow instructions carefully, failure to do so will void warranty.
- › Ensure installation complies with local law and applicable standards.
- › Input voltage range 30-48 Vdc
- › Only use Lumascape power supply, control equipment and leader cables.
- › Ensure mains input power is surge protected.
- › Never make connections whilst the power is connected.
- › Do not make modifications or alter the product.
- › Keep luminaire clean and free of debris.
- › Only clean with warm water.
- › The use of chemicals and abrasives may damage the luminaire and void warranty.
- › Connectors are to be kept clean and dry at all times.
- › Once installed, all connectors are to be mated and a terminating plug is required on the last fitting of run.

Linealux **L1** Linear Facade

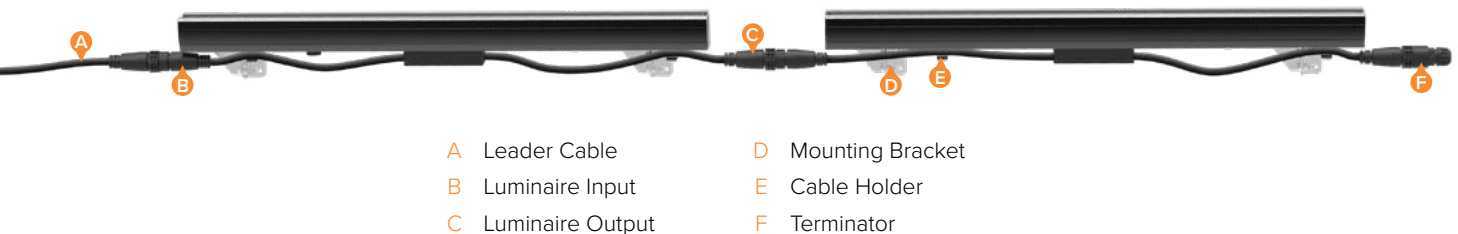
Installation Instructions

Component Overview

Below is a general overview of a typical LS9015 setup. The Leader Cable (A) connects to the LS6550 DIN Rail PowerSync Supply. For details on setting-up LS6550 refer to the supply specific installation instructions. The Leader Cable (A) connects to the first Luminaire Input (B) via an IP68 quick connector. The LS9015 is designed for loop-in, loop-out. The output (C) of the previous luminaire will connect to the input (B) of the next luminaire. At the end of the run the luminaire chain has to be terminated with a Terminator (F).

Luminaires come with Mounting Brackets (D) and Cable Holders (E). Luminaires come in 1 ft, 2 ft, 3 ft, 4 ft and 5 ft length. All length of luminaires come with two Mounting Brackets (D). All 1 ft, 2 ft and 3 ft luminaires come with a single Cable Holder (E) while 4 ft and 5 ft luminaires are each supplied with four Cable Holders (E).

Mounting Brackets (D) and Cable Holders (E) need to be attached to the luminaires before mounting. It is recommended installers use two SS316 screws per Mounting Bracket (D) to secure the luminaire to the substrate.



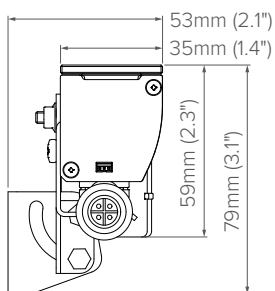
Ensure that cable is fed from left to right to avoid the 'back' of the luminaire being exposed.



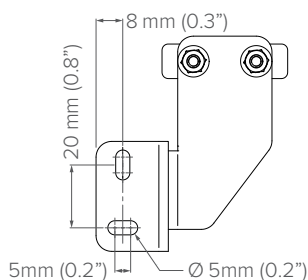
Products and specifications are subject to change without notice.

Dimensions

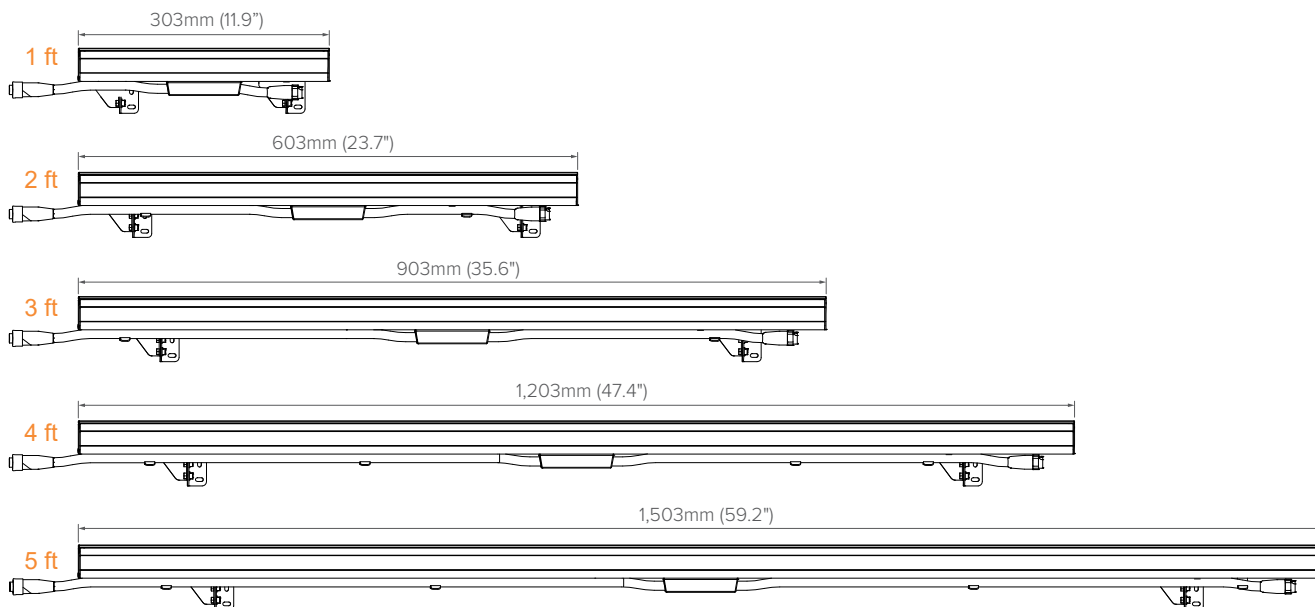
End View



Mounting Bracket



Side View



Products and specifications are subject to change without notice.

Linealux L1 Linear Facade Installation Instructions

Attaching Mounting Bracket to Luminaire

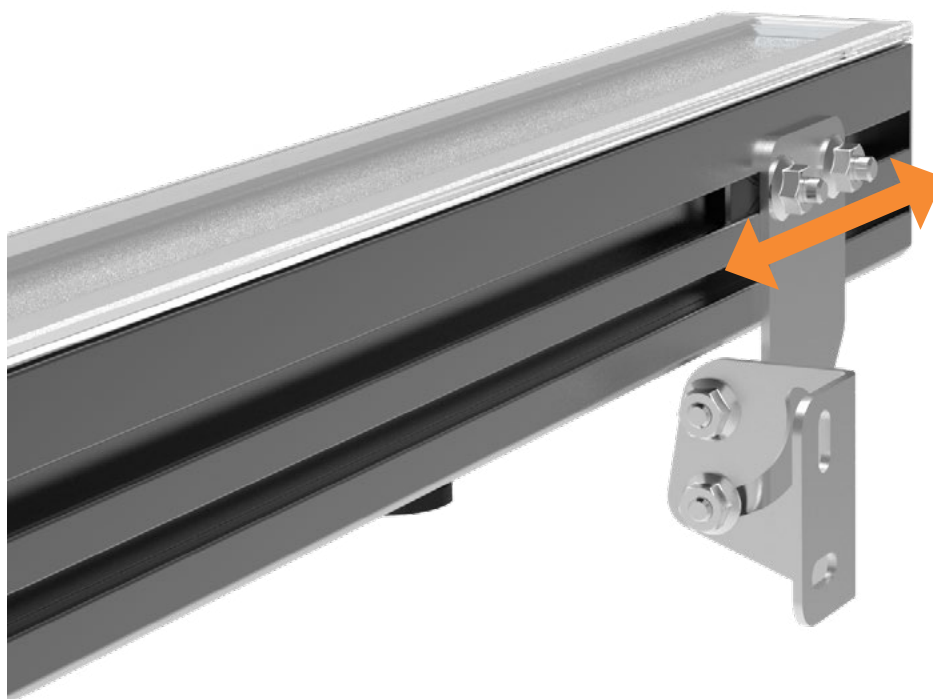
Step 1 Attach bracket to mounting studs.



Step 2 Tighten nuts to secure bracket to mounting studs.



Step 3 **HINT:** Tightening and loosening the nuts on the mounting studs will allow the bracket to slide within the rail. This can be useful in shifting the luminaire a small amount, even after installation. Repeat these steps for each bracket on each luminaire.



Products and specifications are subject to change without notice.

Attaching Cable Holder to Luminaire

Step 1

Attach cable holder to the luminaire.



Step 2

HINT: Tightening and loosening the screw will allow the bracket to slide within the rail.



Step 3

Clip the cable under the cable holder. Repeat these steps for each cable holder on each luminaire.



Products and specifications are subject to change without notice.

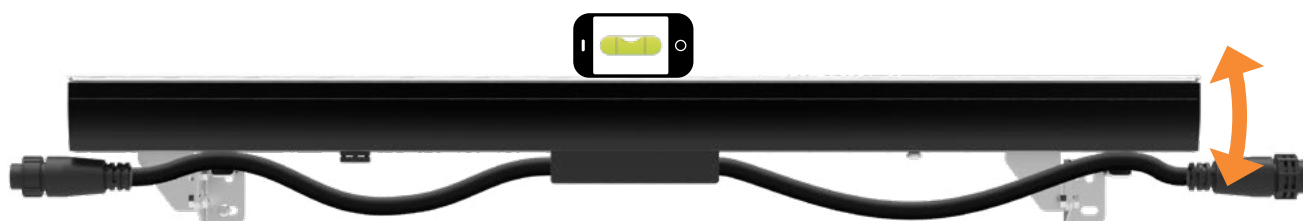
Linealux L1 Linear Facade

Installation Instructions

Mounting the Luminaire

Step 1

It is recommended to mount the luminaire with SS316 Stainless Steel screws. To start put a single screw into one bracket. Use a spirit level or digital inclinometer to make sure the luminaire is level. Once the luminaire is level secure with a second screw on the opposing side.



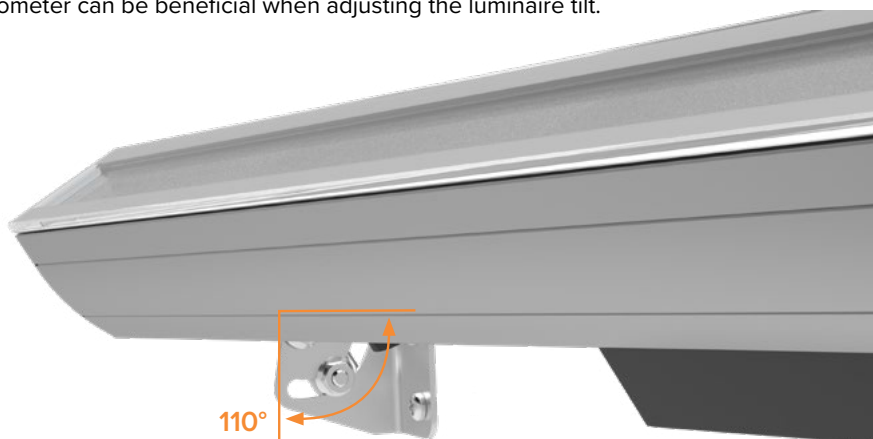
Step 2

Insert the remaining screws required. Each mounting bracket should be secured with two SS316 Stainless Steel screws. **HINT:** In some cases it may be beneficial to attach the mounting brackets to the wall first and then attach the luminaire to the mounting bracket already attached to the wall.



Step 3

Adjust the luminaire tilt and lock into place by tightening the tilt adjustment screws on both brackets. **HINT:** a digital inclinometer can be beneficial when adjusting the luminaire tilt.

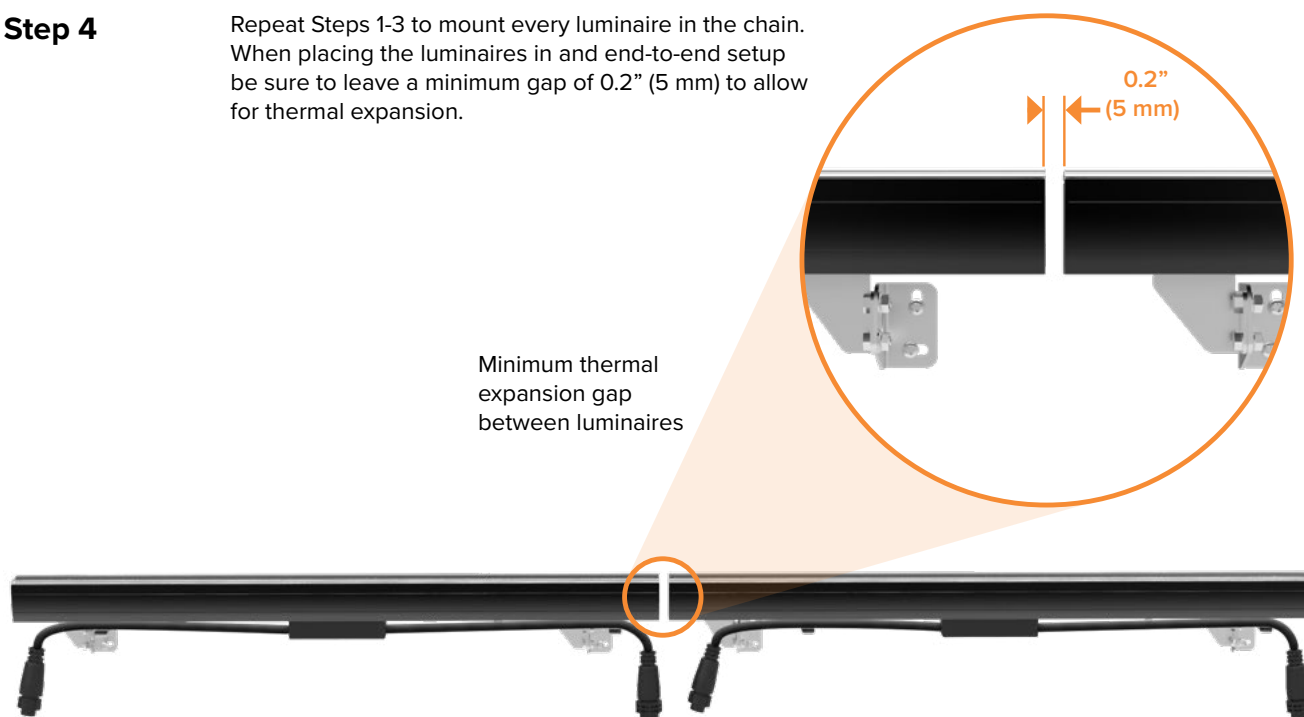


Products and specifications are subject to change without notice.

Mounting the Luminaire

Step 4

Repeat Steps 1-3 to mount every luminaire in the chain. When placing the luminaires in an end-to-end setup be sure to leave a minimum gap of 0.2" (5 mm) to allow for thermal expansion.



HINT: You can still slide the mounted luminaire by loosening these screws

Products and specifications are subject to change without notice.

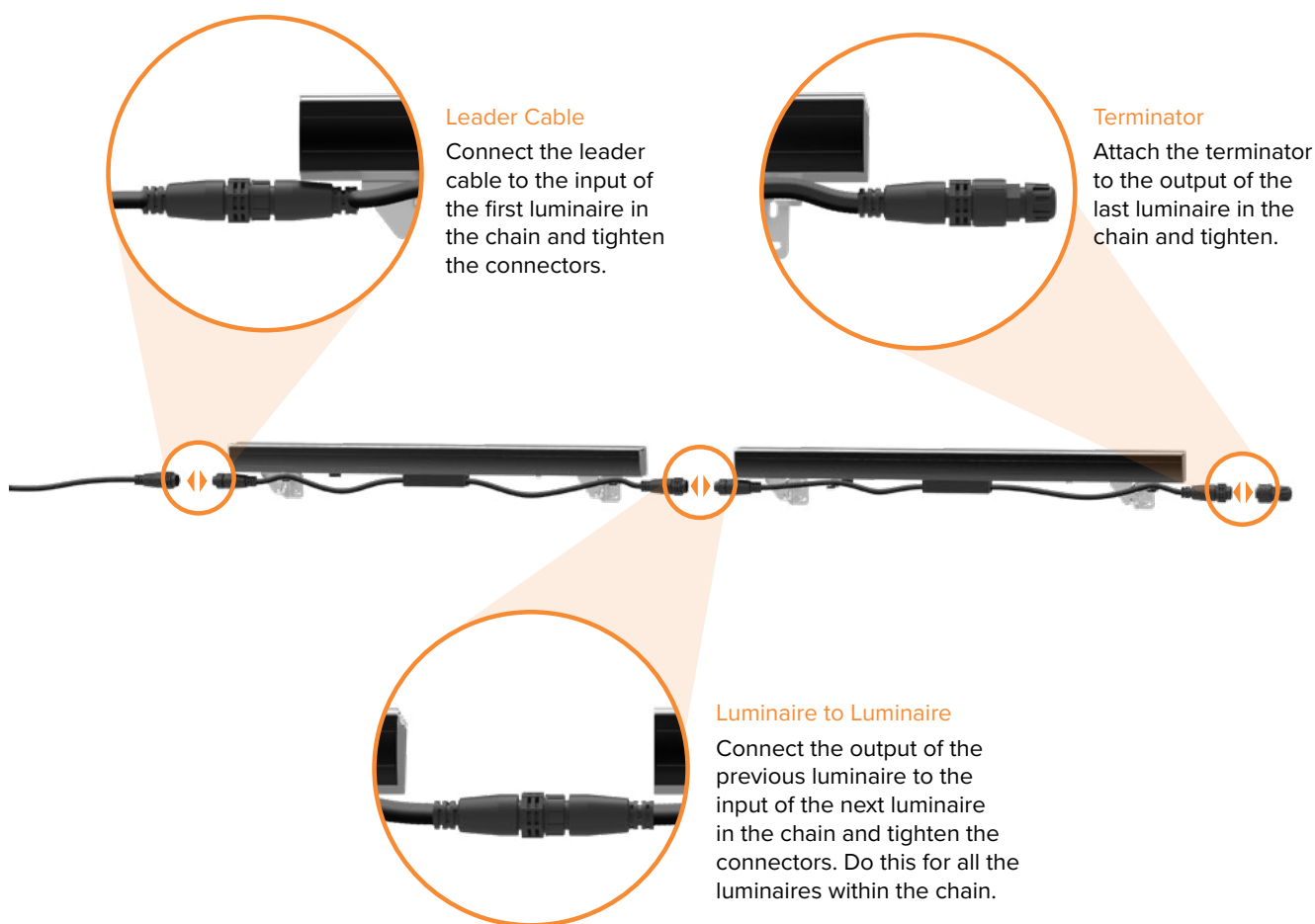
Linealux **L1** Linear Facade

Installation Instructions

Electrical Connection

Step 1

Once the physical components have been installed it is time to complete the electrical installation.



Step 2

Power up the circuit to test the installation.



? QUESTIONS

Contact us at details below

Products and specifications are subject to change without notice.