



The Linealux L3 is a compact, high-performance linear grazer luminaire combining technology and performance in a stylish design. Packed with features including **EasyGlow™** visual comfort, **CoolDrive™** thermal management technologies and **MicroAntileach™**. Controllable in 1 foot segments through the use of PowerSync™ and provides superb color-over-angle consistency and blending of colors even at close blending distances.

Performance

Static White & Color ¹	Lumen Output (lm)	Efficacy (lm/W)	Peak Intensity (cd)
● 2,700 K (80 CRI)	4,680	88	172,400
● 3,000 K (80 CRI)	4,880	92	179,800
○ 3,500 K (80 CRI)	5,280	99	194,500
● 4,000 K (80 CRI)	5,280	99	194,500
● 5,000 K (70 CRI)	4,880	92	179,800

¹ Lumen output values are based on a 12 W/ft, 4 ft luminaire with 6° lens

Dynamic Color ²	Lumen Output (lm)	Efficacy (lm/W)	Peak Intensity (cd)
● RGBA	-	-	-
● RGBW (4000 K) with Royal Blue*	3,370	58	126,600

² Lumen output values are based on a 12 W/ft, 4 ft luminaire with 6° lens

Tunable White ³	Lumen Output (lm)	Efficacy (lm/W)	Peak Intensity (cd)
● 2,700 K - 6,500 K	4,980	94	183,500

³ Lumen output values are based on a 12 W/ft, 4 ft luminaire with 6° lens

Beam Angles	6°, 15°, 30°, 45°, 60°, 10° x 40°, 20° x 40°, 10° x 60°, 20° x 60°, 100°
-------------	--

* Note:

The default RGBW colors have recently changed to the RGBW with Royal Blue (4BW code). These colors will not match existing products with the earlier RGBW with Mid-Blue (4CW code). Contact Lumascope for custom LED Colors.



Products and specifications are subject to change without notice. LS9030-220217

Electrical

LED Power	12 W/ft, 8 W/ft and 5 W/ft (ASHRAE)
Power Consumption	15.1 W/ft (12 W/ft LED power)
Lifetime	> 60,000 hrs (B10, L70, TM21)
Input Voltage	International 220-240 Vac, 50 Hz North America 120/277 Vac, 60 Hz
Earth Leakage	0.2 mA @ 120 Vac, 0.42 mA @ 240 Vac, 0.24 mA @ 277 Vac
Thermal Management	CoolDrive™ onboard thermal monitoring and control

Control

Interface	Lumascap PowerSync™
Protocols¹	DMX / RDM, Artnet, PWM ² , 0 - 10 V (sink or source) ²
PWM Frequency	1.6 kHz flicker-free dimming to 0.1%
Control Resolution	1 ft resolution (300 mm) and full luminaire Configurable via RDM
RDM Functionality	PowerSync enabled Lumascap luminaires are shipped with a default RDM personality which provides smooth dimming control. For different dimming characteristics or to enable other special functionalities, the default personality can be changed through industry standard DMX/RDM.
Systems	Range of third-party controllers

¹ Some protocols require additional hardware. For more information and other available protocols contact Lumascap.

² Not available for color-changing or tunable white.

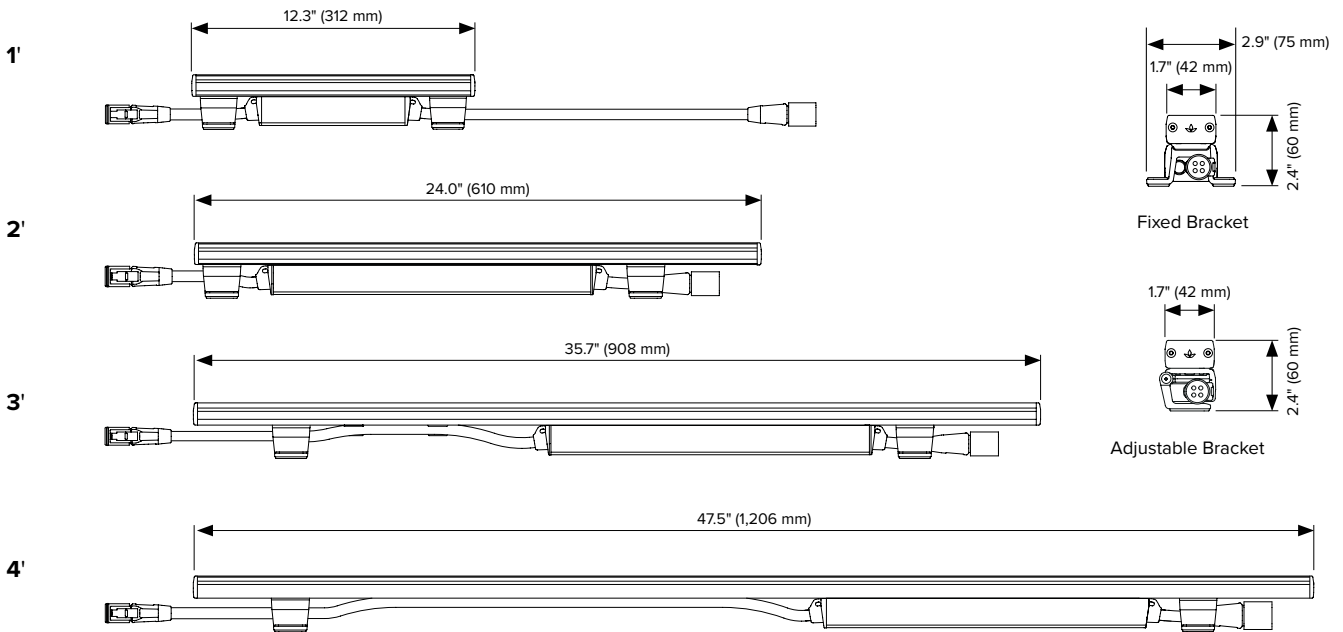
Physical

Housing	Marine-grade extruded aluminum, tempered glass
Finish	Superior 9-step powder-coating process, including marine-grade epoxy undercoat and polyester top coat
Installation	Surface-mounted with included galvanic isolator
Adjustable	Multi-positional, reversible constant torque locking bracket
Ambient Operating Temperature	-40 °F to 122 °F (-40 °C to 50 °C)
Surface Temperature	≤122 °F (50 °C)
Weight	6.2 lbs (2.8 kg) for 4 ft section
Effective Projected Area	0.5 ft ² (0.05 m ²) for 4 ft section

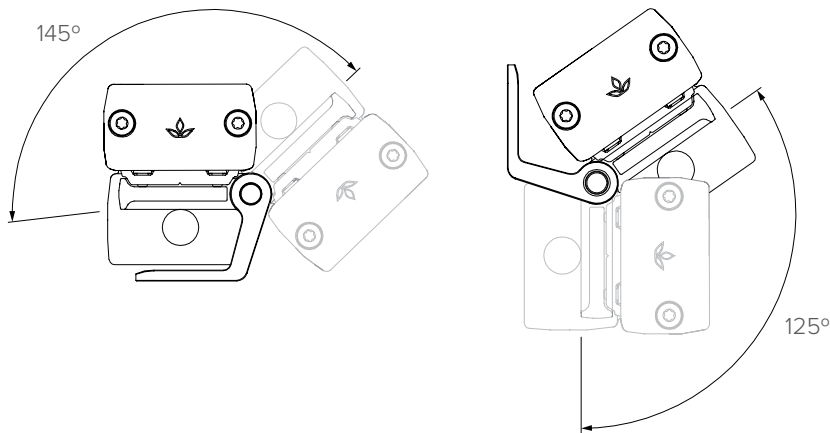
Certification & Compliance

IP Rating	IP66 / IP67 (Passes IP68 Tests)
IK Rating	IK6
Vibration Resistance	3G Rating (ANSI C136.31)
Environment	Dry, Damp, Wet locations
Certifications	ETL, CE, RCM

Dimensions

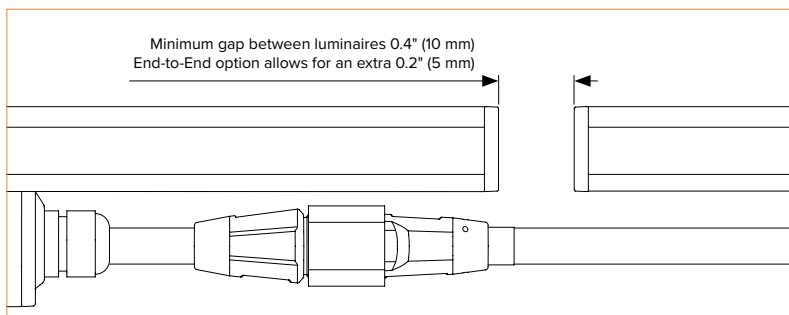


Luminaire Rotation

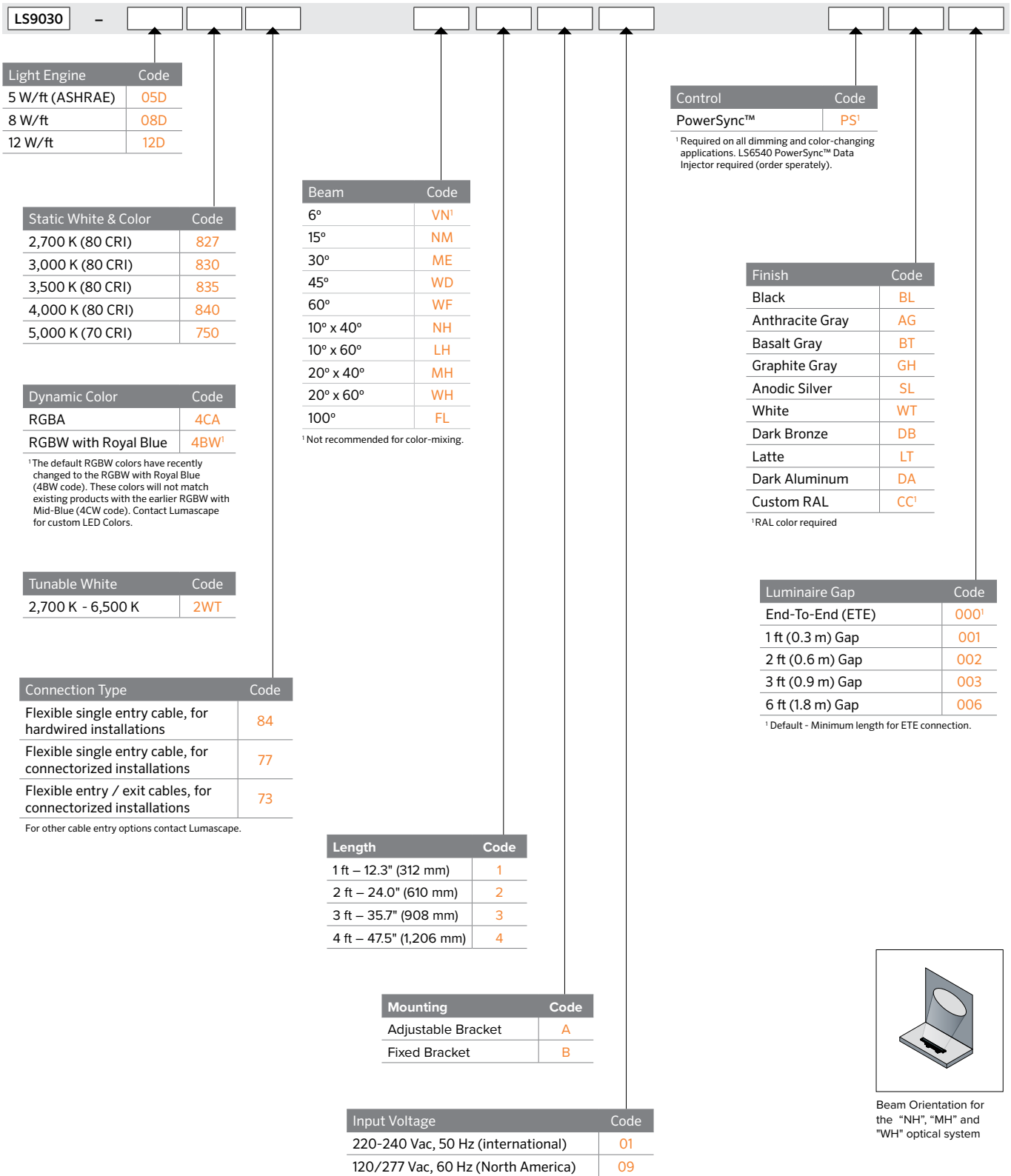


Luminaire Gap

We define the Gap being where the luminaire ends to where the start of the next luminaire. To be able to create the gap, cable length is added to the input connector side. A minimum gap of 0.4" (10 mm) must be applied to cope with thermal expansion.



Specification Matrix



Accessories

Shielding & Glare Control

A variety of shielding and glare control options are available for the Linealux L3 Series. The images below depict the one foot version of the luminaire but glare control accessories are available from 1 ft to 4 ft in length to suit any base luminaires.

External / Slatted Louvre

LS6237 -

Visor Length	Code
1 ft	1
2 ft	2
3 ft	3
4 ft	4



External Shield / Visor 1-sided

LS6238 -

Visor Length	Code	Finish	Code
1 ft	1	Black	BL
2 ft	2	Anthracite Gray	AG
3 ft	3	Basalt Gray	BT
4 ft	4	Graphite Gray	GH
		Anodic Silver	SL
		White	WT
		Dark Bronze	DB
		Latte	LT
		Dark Aluminum	DA
		Custom RAL	CC ¹

¹RAL color required



External Shield / Visor 3-sided

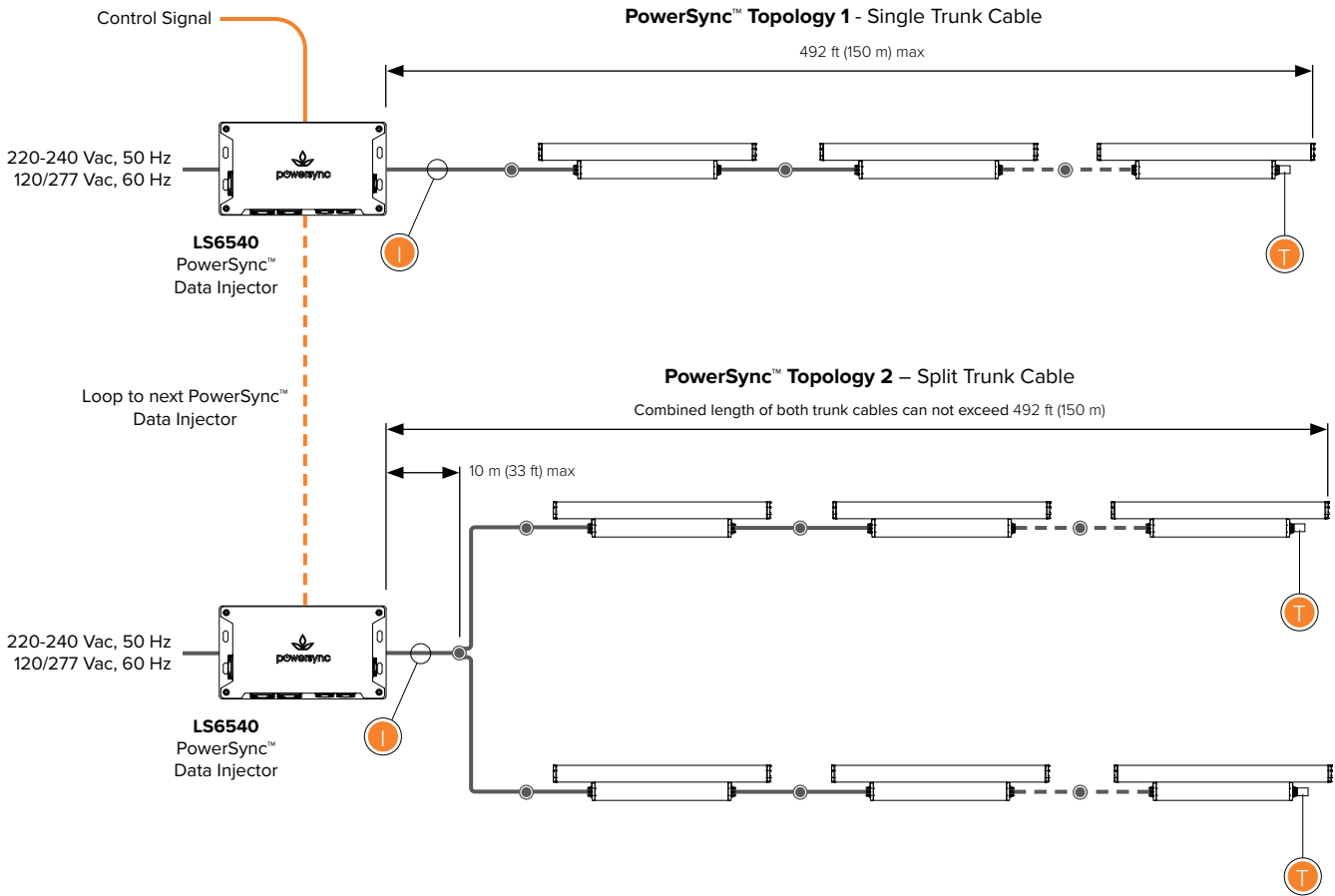
LS6239 -

Visor Length	Code	Finish	Code
1 ft	1	Black	BL
2 ft	2	Anthracite Gray	AG
3 ft	3	Basalt Gray	BT
4 ft	4	Graphite Gray	GH
		Anodic Silver	SL
		White	WT
		Dark Bronze	DB
		Latte	LT
		Dark Aluminum	DA
		Custom RAL	CC ¹

¹RAL color required



Network Topology – Dimmable and Color-Changing via PowerSync4™



Up to 45 luminaires per run under the following conditions:

- Max total cable run length 492 ft (150 m) in up to two trunk cables.
- For run lengths in excess of 100 ft (30 m), the data wire gauge cannot exceed 14 AWG (2.5 mm²).
- For run lengths up to 100 ft (30 m), the data wire gauge is not governed.
- Refer to 'Maximum Circuit Load' table for circuit limitations.
- Always observe local electrical codes for branch circuit current limitations.

Maximum Circuit Load

Maximum Number of Fixtures per Circuit		120V		240V		277V	
Luminaire Length	LED Power	Maximum Current					
		12.8 A	16 A	12.8 A	16 A	12.8 A	16 A
1 ft (312 mm)	5 W/ft	45	45	45	45	45	45
	12 W/ft	45	45	45	45	45	45
2 ft (610 mm)	5 W/ft	45	45	45	45	45	45
	12 W/ft	40	45	45	45	45	45
3 ft (908 mm)	5 W/ft	45	45	45	45	45	45
	12 W/ft	26	35	45	45	45	45
4 ft (1,206 mm)	5 W/ft	42	42	45	45	45	45
	12 W/ft	20	26	40	45	45	45

Refer to PowerSync™ installation instructions for maximum distance information and topology options.
 All connectorized options in North America are limited to 12.8A branch circuit load.
 Above circuit loading limits are based on maximum circuit current capacity and PowerSync™ control capacity. Cumulative earth leakage and voltage drop may need to be calculated.
 For non-continuous runs contact factory for details.
 Local wiring rules and requirements may limit circuit loadings refer to relevant electrical parameters to calculate.

T Terminator
 Use PowerSync™ terminator, supplied with leader cable to terminate last luminaire in chain.

I Maximum Current
 Maximum current through cables and connectors supplied by Lumascape:
 ≤12.8 A – Installations in North American Market (UL, ETL)
 ≤16 A – Installations in International Market (CE, CCC)

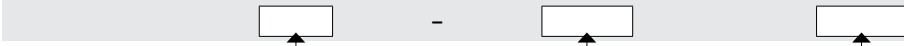
● Connection Type
 Circuits can be configured as either connectorized or hardwired. For details refer to installation instructions and comply with local electrical codes.

Connectorized Accessories

Leader Cables - PowerSync™ Line Voltage (For Connection Type 77 Only)

4-core 1.5 mm² or 2.5mm² for use in CE/CCC installations. Compatible with all luminaires with Type 77 connectorized supply cable options. Supplied fitted with an IP68 connector for pairing with the first connectorized luminaire in a Powersync4, Line Voltage circuit. Comes complete with a matching End of Circuit, Powersync4, Line Voltage, Terminator Plug.

Not suitable for use in North America




Cable Type	Code	Cable Type	Code	Length	Code
1.5 mm ²	LS6402C	PowerSync	PS	1' (0.3 m)	001
2.5 mm ²	LS6402C-2.5			2' (0.6 m)	002
				3' (1 m)	003
				6' (2 m)	006
				16' (5 m)	016
				33' (10 m)	033
				66' (20 m)	066
				98' (30 m)	098

Leader Cables - PowerSync™ Line Voltage Hook-Up Wire (For Connection Type 77 Only)

4 conductors 14 AWG Hook-Up wires for use in UL installations. Compatible with Type 77 connectorized supply cable options. Supplied fitted with an IP68 connector for pairing with the first connectorized luminaire in a Powersync4, Line Voltage circuit. Comes complete with a matching End of Circuit, Powersync4, Line Voltage, Terminator Plug.

For use in North America ONLY



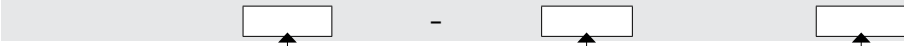
Cable Type	Code	Cable Type	Code	Length	Code
14 AWG 1.5 mm ²	LS6402U	PowerSync	PS	1' (0.3 m)	001
				2' (0.6 m)	002
				3' (1 m)	003
				6' (2 m)	006
				16' (5 m)	016
				33' (10 m)	033
				66' (20 m)	066
				98' (30 m)	098

Connectorized Accessories

Jumper Cables – PowerSync™ Line Voltage (For Connection Type 77 Only)

4-core 1.5 mm² or 2.5mm² for use in CE/CCC installations. Compatible with all luminaires with 77 connectorized supply cable options. Supplied fitted with an IP68 connector for pairing with the first connectorized luminaire in a Powersync4, Line Voltage circuit.

Not suitable for use in North America




Cable Type	Code	Cable Type	Code	Length	Code
1.5 mm ²	LS6404C	PowerSync	PS	1' (0.3 m)	001
2.5 mm ²	LS6404C-2.5			2' (0.6 m)	002
				3' (1 m)	003
				6' (2 m)	006
				16' (5 m)	016
				33' (10 m)	033
				66' (20 m)	066
				98' (30 m)	098

Jumper Cables – PowerSync™ Line Voltage (For Connection Type 77 Only)

4-core 16 AWG for use in UL installations. Compatible with all Luminaires with Type 73 or 77 connectorized supply cable options. Supplied fitted with an IP68 connector for pairing with the first connectorized luminaire in a Powersync4, Line Voltage circuit.

For use in North America ONLY



Cable Type	Code	Cable Type	Code	Length	Code
16 AWG	LS6404U	PowerSync	PS	1' (0.3 m)	001
				2' (0.6 m)	002
				3' (1 m)	003
				6' (2 m)	006
				16' (5 m)	016
				33' (10 m)	033
				66' (20 m)	066
				98' (30 m)	098

Connectorized Accessories

Terminator (Hardwired Installation)

Used in hardwired PowerSync™ installations.

Terminator	Code
DMX Terminator Hardwired (CCC, CE, UL)	LS6407
Terminator Hardwired, Mains / Low Voltage (CCC, CE)	LS6406-01
Terminator Hardwired, Mains / Low Voltage (UL)	LS6406-09
Terminator Connectorized, Mains Voltage (CCC, CE, UL)	LS6417

PowerSync™ Data Injector

Combines the convenience of standard wiring methods to translate control signals into a digital format that can be transmitted over standard copper wire. This allows highly granular addressing and high-speed digital control of every luminaire, using only four wires and accepts a growing list of standard protocols (0-10V, DMX / RDM), for simple integration with a wide selection of control systems using these industry standard protocols.



Product	Code	Input Voltage	Code	Control	Code	Finish	Code
Data Injector PS4	LS6540	220-240 Vac, 50 Hz (International)	01	DMX/RDM, 0-10 V Input	2D	Black	BL
		120/277 Vac, 60 Hz (North America)	09			Anthracite Gray	AG
						Basalt Gray	BT
						Graphite Gray	GH
						Anodic Silver	SL
						White	WT
						Dark Bronze	DB
						Latte	LT
						Dark Aluminum	DA
						Custom RAL	CC ¹

Note:

PowerSync Data Injector ships with three (3) hardwired terminators and one (1) hardwired DMX terminator.

¹RAL color required

PowerSync Y-Connectors

4 x 1.5mm² or 2.5mm² mains voltage Y-Connectos with Souriau plug for use in CE/CCC installations.

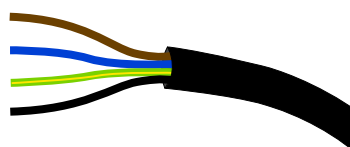
Product	Code
1.5mm ²	LS6425C
2.5mm ²	LS6425C-2.5



Fixture Colors & Wiring Designations

Line Voltage 220-240 Vac, 50 Hz (International)

Designation	Color
Active	Brown
Neutral	Blue
Earth	Green / Yellow
Data	Black



Line Voltage 120/277 Vac, 60 Hz (North America)

Designation	Color
Active	Black
Neutral	White
Earth	Green / Yellow
Data	Grey or Red

