



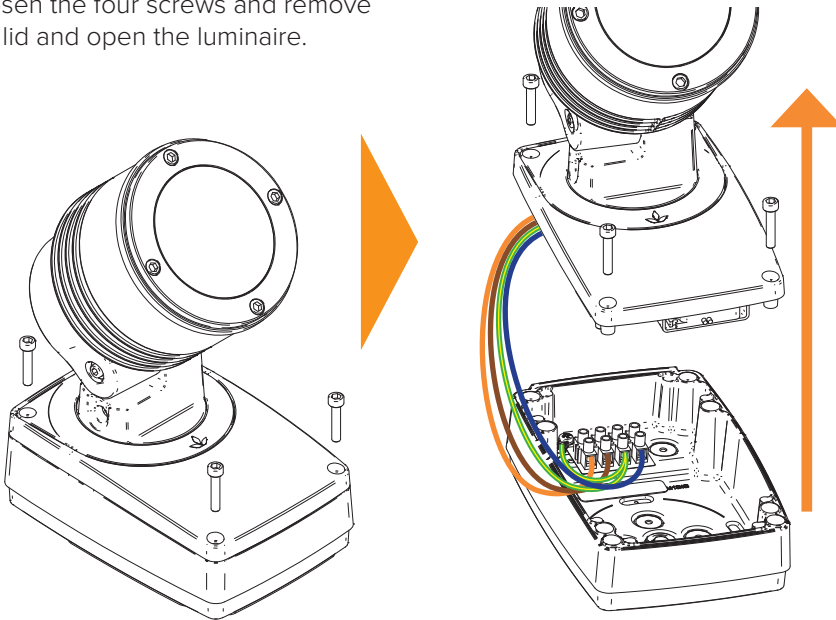
## READ ALL SAFETY INSTRUCTIONS FIRST

- › Follow instructions carefully, failure to do so will void warranty.
- › Ensure installation complies with local law and applicable standards.
- › Input voltage: Line Voltage 220 to 240 Vac, 50 Hz  
Low Voltage 30 to 48 Vdc
- › Only use Lumascope power supply, control equipment and leader cables.
- › Ensure mains input power is surge protected.
- › Never make connections whilst the power is connected.
- › Do not make modifications or alter the product.
- › Keep luminaire and connections clean and free of debris and moisture.
- › It is the installers responsibility that the installation is adequately sealed to avoid moisture ingress.

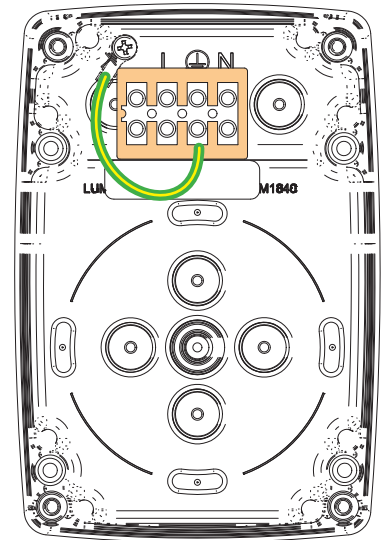
Products and specifications are subject to change without notice.  
IN0182-230516

## Open Luminaire

Loosen the four screws and remove the lid and open the luminaire.

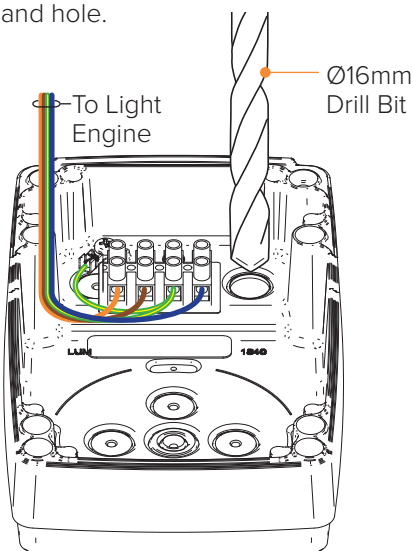


In the base drill out gland holes as required.

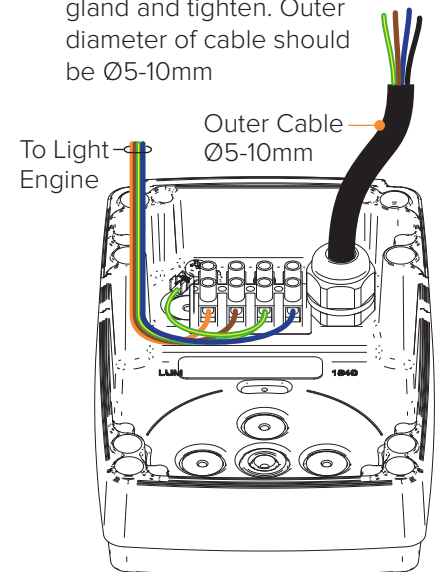
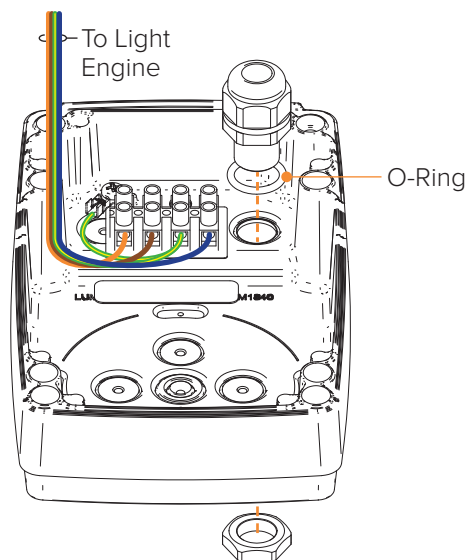


## Install Gland

Drill the hole for the gland. Use a 16mm drill bit to drill the gland hole.

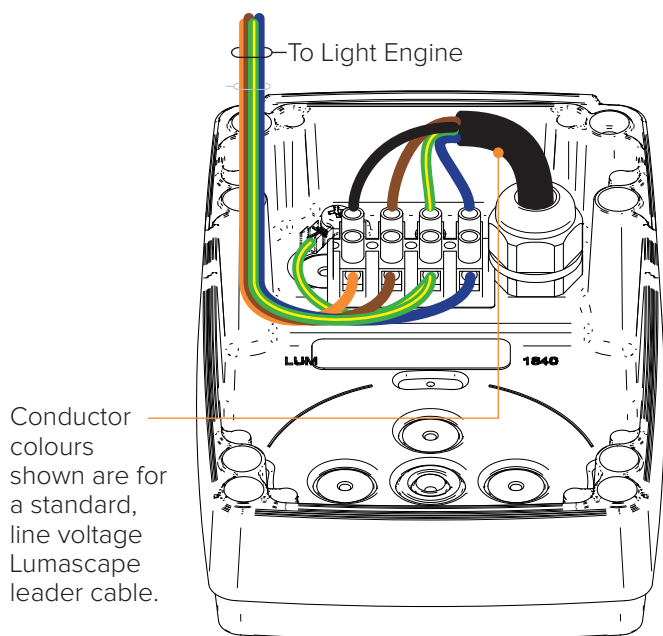


Feed supply cable through gland and tighten. Outer diameter of cable should be Ø5-10mm



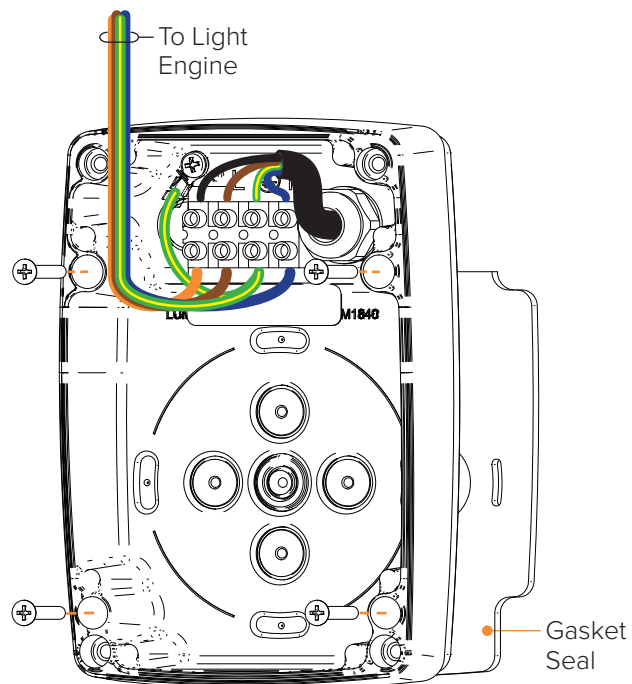
## Connect Supply Cable

Connect the supply cable to the terminal block. Refer to table below for conductor colour and designation.



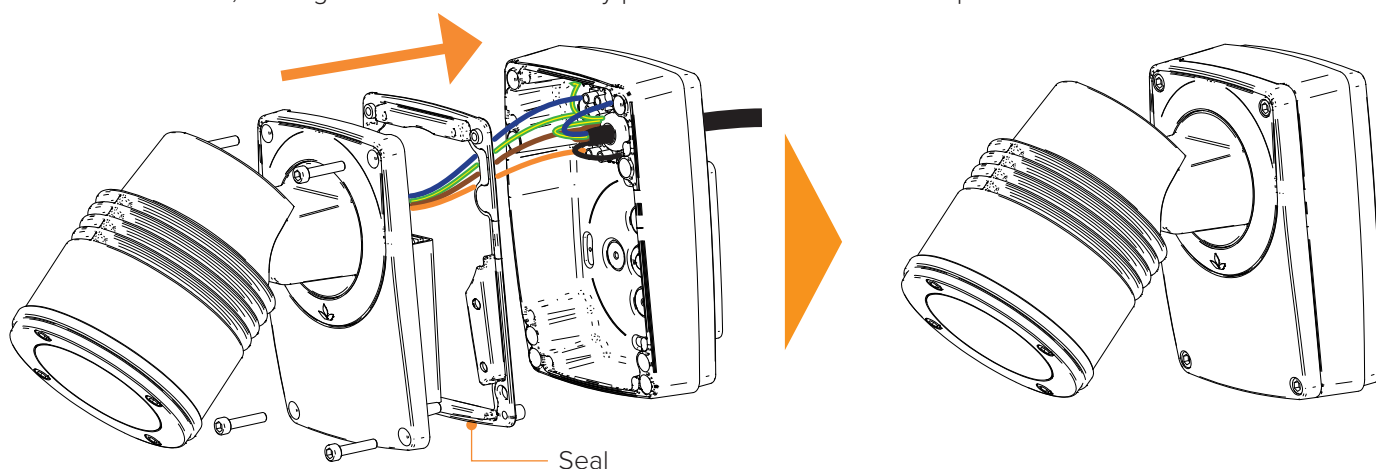
## Mount Base to Wall

Bolt luminaire to mounting surface making sure the gasket seal is inserted between the mounting surface and the wall.



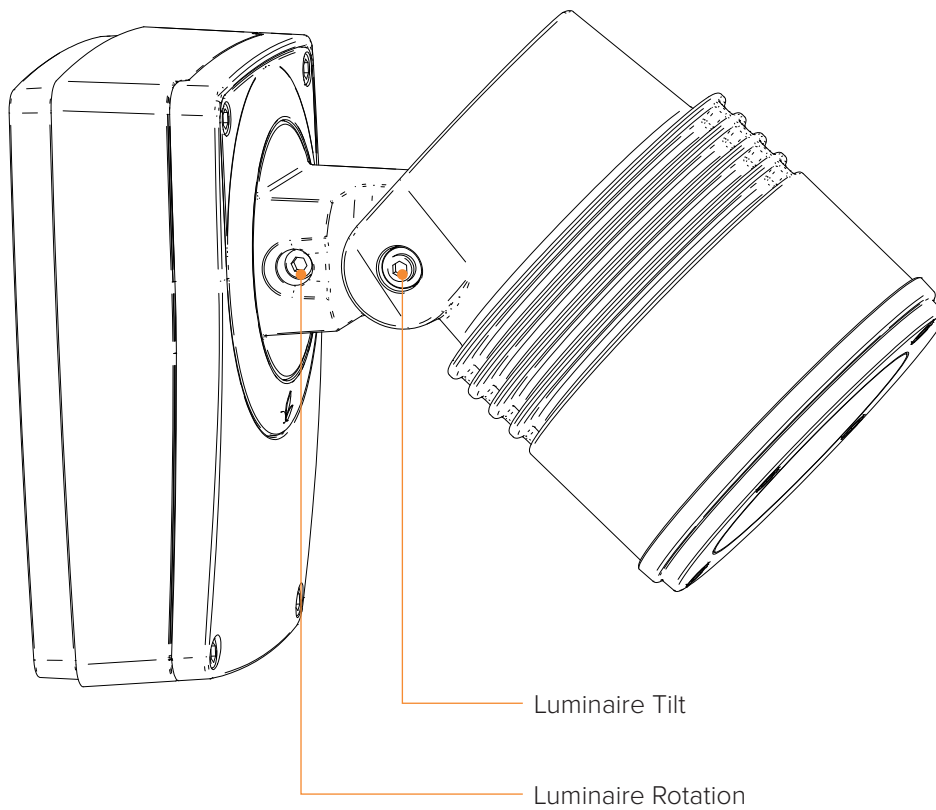
## Close Luminaire

Re-attach lid to base, making sure the seal is correctly placed between the two components.



## Aim Luminaire

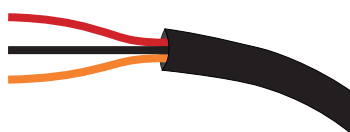
Using an Allen key adjust the Luminaire's tilt and rotation.  
Loosen the screws to adjust and tighten to lock luminaire into place.



## Wiring Designation

### Low Voltage 30 to 48 Vdc

Designation	Color
+ DC	Red
- DC	Black
Data	Orange



### Line Voltage 220 to 240 Vac - International

Designation	Color
Line	Brown
Neutral	Blue
Ground/Earth	Green / Yellow
Data	Black

