



The LS265LED is a high performance fountain light utilizing LED technology. The durable 316 marine grade stainless steel housing and long life LED are an ideal combination. A simple and robust design allows for easy luminaire installation and there is virtually no need for maintenance. The LS265LED has the added advantage of being supplied factory sealed, with no requirement to open the luminaire during installation. This luminaire can also operate in very shallow water.

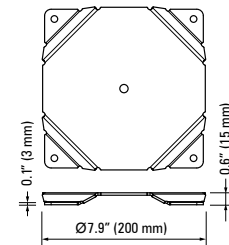
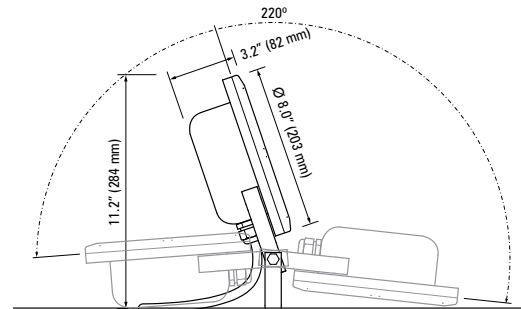
## Specifications

<b>Source</b>	28 W LED <input type="checkbox"/> White (4 000 K typical) <input type="checkbox"/> Warm white (3 000 K typical) <input type="checkbox"/> Blue (470 nm) <i>Other colors by request</i> <input type="checkbox"/> RGB
<b>Control Options</b>	PWM <i>(0-10 V → PWM and DMX → PWM conversion available)</i>
<b>IP Rating</b>	IP68 to 6' (2 m)
<b>Construction</b>	316 marine grade stainless steel
<b>Standard Inclusions</b>	Teflon coated cover screws <b>MicroAntiLeach™</b> cable entry
<b>Accessories</b>	<b>LS6074</b> mounting plate
<b>Water Temperature Rating</b>	41 °F to 104 °F (5 °C to +40 °C)
<b>Photometrics</b>	Refer to <a href="http://www.lumascap.com">www.lumascap.com</a>

*Any luminaire can become hot - take care with appropriate use and placement*



**LS265LED Tristar**



**LS6074 Mounting Plate**

SOURCE				OPTICAL SYSTEM			LUMINAIRE INPUT VOLTAGE		CABLE LENGTH	
Description	Wattage	Color	Code	Beam	Code	Description	Code	Options	Code	
LED	28 W	White (4 000 K typ.)	<b>28W4</b>	Narrow Medium	20°	24 V DC	<b>07<sup>(1)(2)</sup></b>	16.4' (5 m)	<b>05</b>	
		Warm white (3 000 K typ.)	<b>28H6</b>	Medium	25°	PWM Dimmable Driver, 24 V DC	<b>27<sup>(2)</sup></b>	26.2' (8 m)	<b>08</b>	
		Blue (470 nm)	<b>28B4</b>	Linear Horizontal	40° x 20°			49.2' (15 m)	<b>15</b>	
		RGB	<b>28M4</b>	Linear Vertical	20° x 40°					

<sup>(1)</sup> Recommended for best RGB color mixing.  
<sup>(2)</sup> Refer to beam orientation diagram.

<sup>(1)</sup> Not available for RGB.  
<sup>(2)</sup> Requires remote power supply.

For custom cable length consult factory. Cable cannot be field installed.

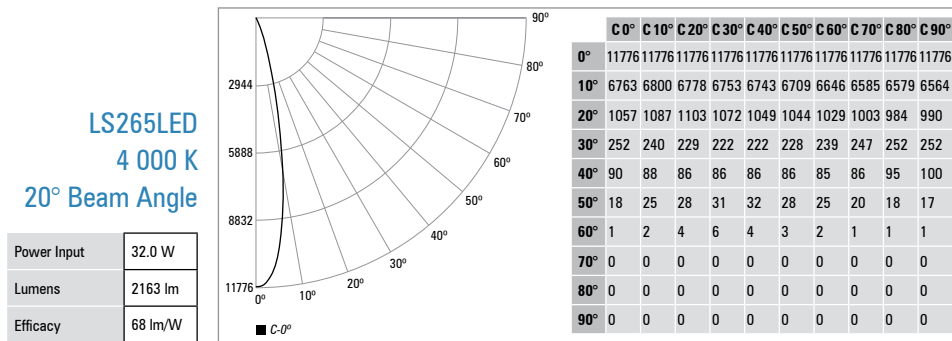
Photometrics

Photometric data is based on test results from a NIST traceable testing lab. IES data is available at [www.lumascap.com](http://www.lumascap.com).

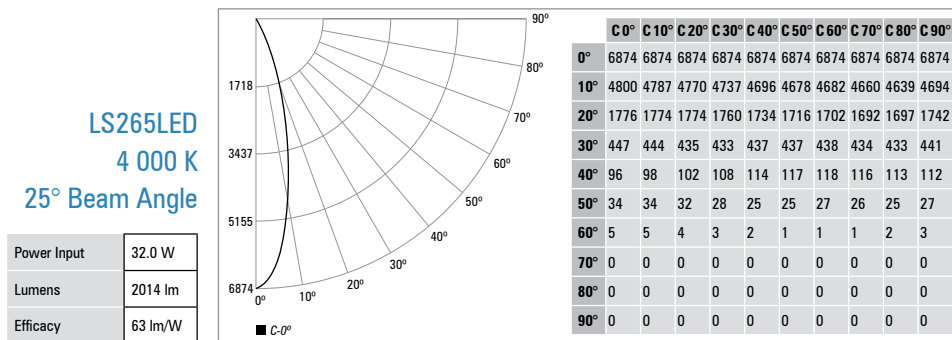
Note: No depreciation factor is applied to the data shown.

Polar Candela Distribution

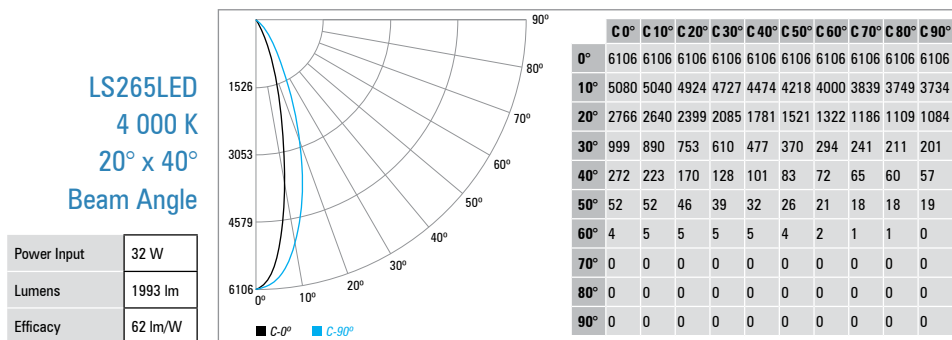
Illuminance at a Distance



m	Center Beam lx	Beam Ø
2	2944	0.8 m
5	471	2.1 m
10	118	4.1 m
12	82	4.9 m
15	52	6.2 m



m	Center Beam lx	Beam Ø
2	1719	1.0 m
5	275	2.5 m
10	69	5.0 m
12	48	6.0 m
15	31	7.6 m



m	Center Beam lx	Beam W	Beam L
2	1527	1.4 m	0.9 m
5	244	3.4 m	2.1 m
10	61	6.9 m	4.3 m
12	42	8.3 m	5.1 m
15	27	10.3 m	6.4 m

Beam Orientations

