



The LS421LED is one of the most compact and versatile surface mount luminaires in its class, featuring light output and energy efficiency surpassing 35 W Metal Halide. LS421LED is ideal for direct or indirect applications and features 2 axes of adjustment, both of which are lockable. Choices of beam angles, light and glare control accessories are available.

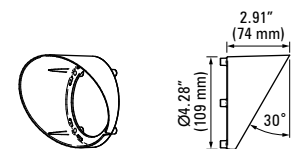
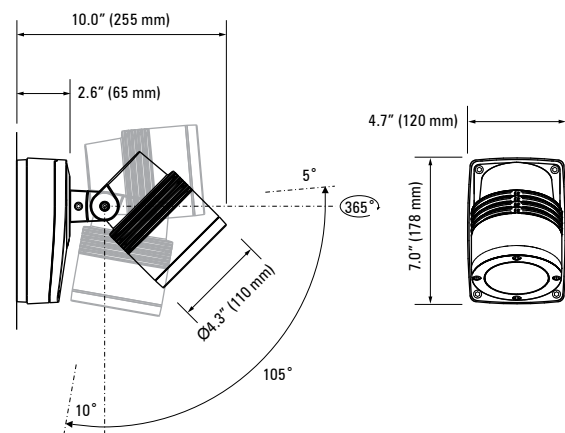
Specifications

Source	16 W or 27 W LED □ White (4000 K typical) ■ Warm white (3000 K typical) ■ Blue (470 nm) <i>Other colors by request</i> ■ RGB (24 W LED only)
Control Options	PWM <i>(0-10 V → PWM and DMX → PWM conversion available)</i> DMX
IP Rating	IP66 / IP67
Construction	LM20 die-cast marine grade powder coated aluminum
Accessories <i>Order separately</i>	LS6065 Linear spreader lens LS6066 Prismatic lens LS6067 Concentric louver LS6104 External glare shield
Ambient Operating Temperature	-4 °F to 122 °F (-20 °C to +50 °C)
Surface Temperature	≤149 °F (≤65 °C) HumanTouch™ compliant
Photometrics	Refer to www.lumascap.com

Any luminaire can become hot - take care with appropriate use and placement



LS421LED Centria



LS6104 External glare shield

SOURCE				OPTICAL SYSTEM			LUMINAIRE INPUT VOLTAGE		FINISH	
Description	Wattage	Color	Code	Beam		Code	Description	Code	Description	Code
LED	16 W	White (4000 K typ.)	16W4	Narrow	14°	NR	110-240 V, 50/60 Hz	01 ⁽¹⁾	Black	BL
		Warm white (3000 K typ.)	16H6	Medium	20°	ME	24 V DC	07 ⁽¹⁾⁽²⁾⁽³⁾	White	WT
		Blue (470 nm)	16B4	Wide	30°	WD	DMX Dimmable Driver, 24 V DC	27 ⁽²⁾⁽³⁾	Silver	SL
				Linear Horizontal	40° x 10°	LH ⁽²⁾				
		Linear Vertical	10° x 40°	LV ⁽²⁾						
LED	27 W	White (4000 K typ.)	27W4	Narrow Medium	20°	NM				
		Warm white (3000 K typ.)	27H6	Medium	25°	ME ⁽¹⁾				
		Blue (470 nm)	27B4	Linear Horizontal	40° x 20°	LH ⁽²⁾				
				Linear Vertical	20° x 40°	LV ⁽²⁾				
		24 W	RGB	24M4						

⁽¹⁾ Recommended for best RGB color mixing.
⁽²⁾ Refer to beam orientation diagram.

Photometrics

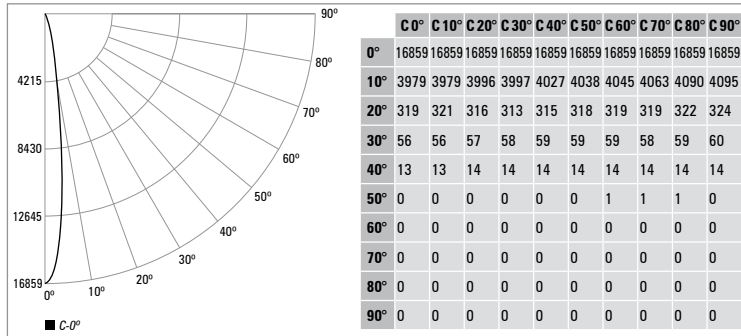
Photometric data is based on test results from a NIST traceable testing lab. IES data is available at www.lumascap.com.

Note: No depreciation factor is applied to the data shown.

Polar Candela Distribution

LS421LED
4 000 K
14° Beam Angle

Power Input	17.8 W
Lumens	1337 lm
Efficacy	75 lm/W

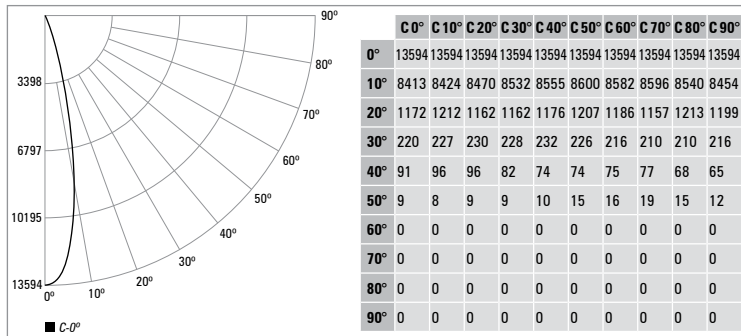


Illuminance at a Distance

m	Center Beam lx	Beam Ø
2	4217	0.5 m
5	675	1.2 m
10	169	2.5 m
12	117	2.9 m
15	75	3.7 m

LS421LED
4 000 K
20° Beam Angle

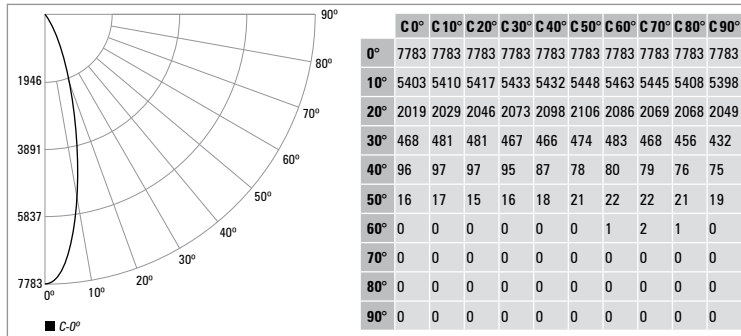
Power Input	31.9 W
Lumens	2420 lm
Efficacy	76 lm/W



m	Center Beam lx	Beam Ø
2	3402	0.8 m
5	544	2.0 m
10	136	4.1 m
12	95	4.9 m
15	61	6.1 m

LS421LED
4 000 K
25° Beam Angle

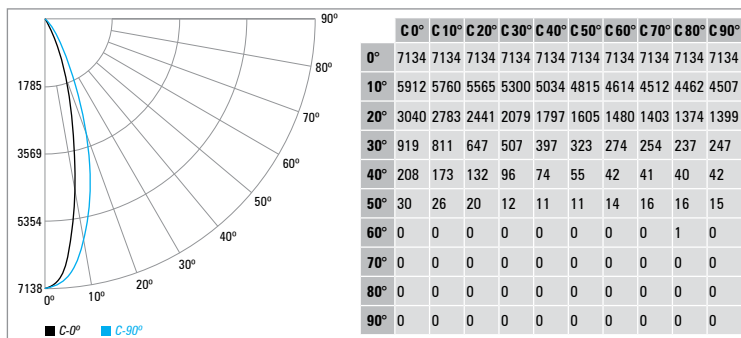
Power Input	31.9 W
Lumens	2188 lm
Efficacy	69 lm/W



m	Center Beam lx	Beam Ø
2	1949	1.0 m
5	312	2.5 m
10	78	5.0 m
12	54	6.0 m
15	35	7.5 m

LS421LED
4 000 K
20° x 40°
Beam Angle

Power Input	31.9 W
Lumens	2169 lm
Efficacy	68 lm/W



m	Center Beam lx	Beam W	Beam L
2	1784	1.3 m	0.8 m
5	285	3.3 m	2.0 m
10	71	6.7 m	4.1 m
12	50	8.0 m	4.9 m
15	32	10.0 m	6.1 m

Beam Orientations

