



The Quadralux Q2 is a small, architectural-grade spotlight that combines technology and performance in a modern form factor. Packed with features including **EasyGlow™** visual comfort, and **CoolDrive™** thermal management technologies. Unique and flexible mounting with glare control accessories enable installation in multiple orientations. Designer optics, provide superb color-over-angle consistency and color blending even at close distances. Available with DALI, 0-10 V dimming or non-dimmable configurations.

Performance

Static White & Color <sup>1</sup>	Lumen Output (lm)	Efficacy (lm/W)	Peak Intensity (cd)
■ 2,700 K (80 CRI)	3,030	94	125,300
■ 3,000 K (80 CRI)	3,300	103	136,500
□ 3,500 K (80 CRI)	3,440	107	142,000
■ 4,000 K (80 CRI)	3,570	111	147,600
■ 5,000 K (70 CRI)	3,300	103	136,500

<sup>1</sup> Lumen output values are based on a 6° lens

<b>Beam Angles</b>	6°, 15°, 30°, 45°, 65°, 10° x 40°, 40° x 10°, 10° x 60°, 60° x 10°, 20° x 40°, 40° x 20°, 20° x 60°, 60° x 20°
--------------------	--



Products and specifications are subject to change without notice.  
LS9122-230306

**Electrical**

<b>Power Consumption</b>	33 W
<b>Lifetime</b>	>60,000 hrs (B10, L70, TM21 Reported)
<b>Input Voltage</b>	International 220 to 240 Vac, 50 Hz North America 120/277 Vac, 60 Hz
<b>Earth Leakage</b>	0.1 mA @ 120 Vac, 0.33 mA @ 240 Vac, 0.12 mA @ 277 Vac
<b>Thermal Management</b>	CoolDrive™ onboard thermal monitoring and control

**Control**

<b>Protocols</b>	DALI® 2 (International), 0-10 V (North America), Non-Dimmable
------------------	---

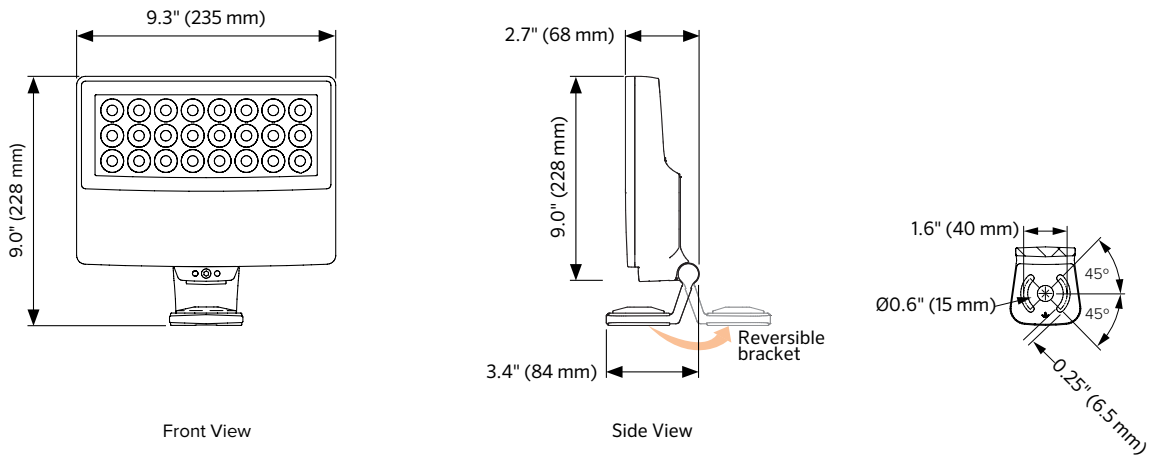
**Physical**

<b>Housing</b>	Marine-grade die-cast aluminum, tempered glass lens, isolated stainless-steel fasteners, constant torque adjustable mounting bracket (lockable and reversible)
<b>Finish</b>	Superior 9-step powder-coating process, including marine-grade epoxy undercoat and polyester top-coat
<b>Installation</b>	Surface-mounted with included galvanic isolator and safety cable attachment point
<b>Adjustable</b>	Constant torque adjustable mounting bracket, lockable and reversible
<b>Ambient Operating Temperature</b>	-40°F to 122°F (-40°C to 50°C)
<b>Surface Temperature</b>	≤138°F (59°C)
<b>Weight</b>	5.2 lb (2.4 kg)
<b>Effective Projected Area</b>	0.6 ft² (0.1 m²)

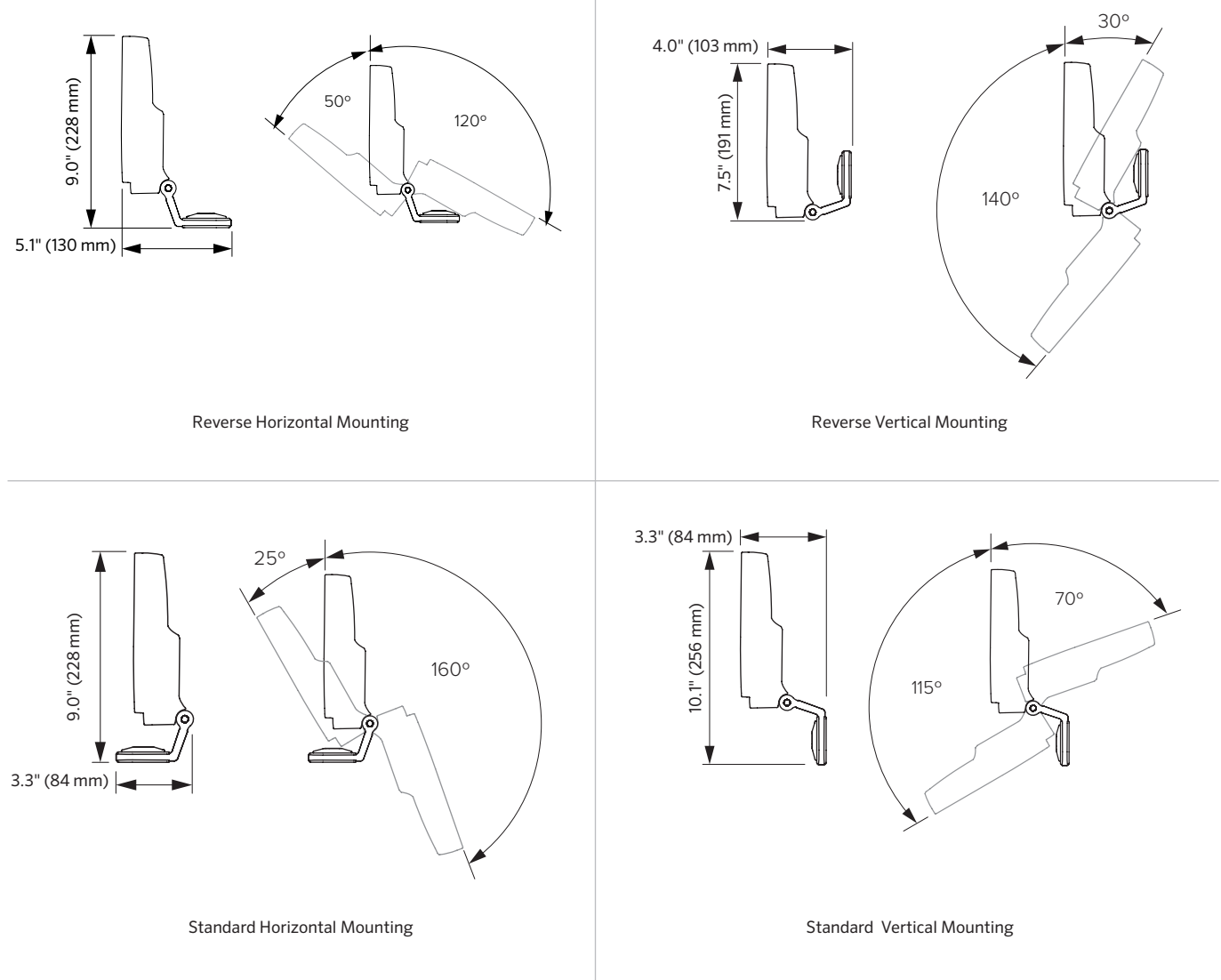
**Certification & Compliance**

<b>IP Rating</b>	IP66 / IP67 (Passes IP68 test)
<b>IK Rating</b>	IK8
<b>Vibration Resistance</b>	3G Rating (ANSI C136.31)
<b>Environment</b>	Dry, Damp, Wet locations
<b>Certifications</b>	ETL, CE, UKCA, RCM, FCC

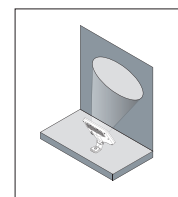
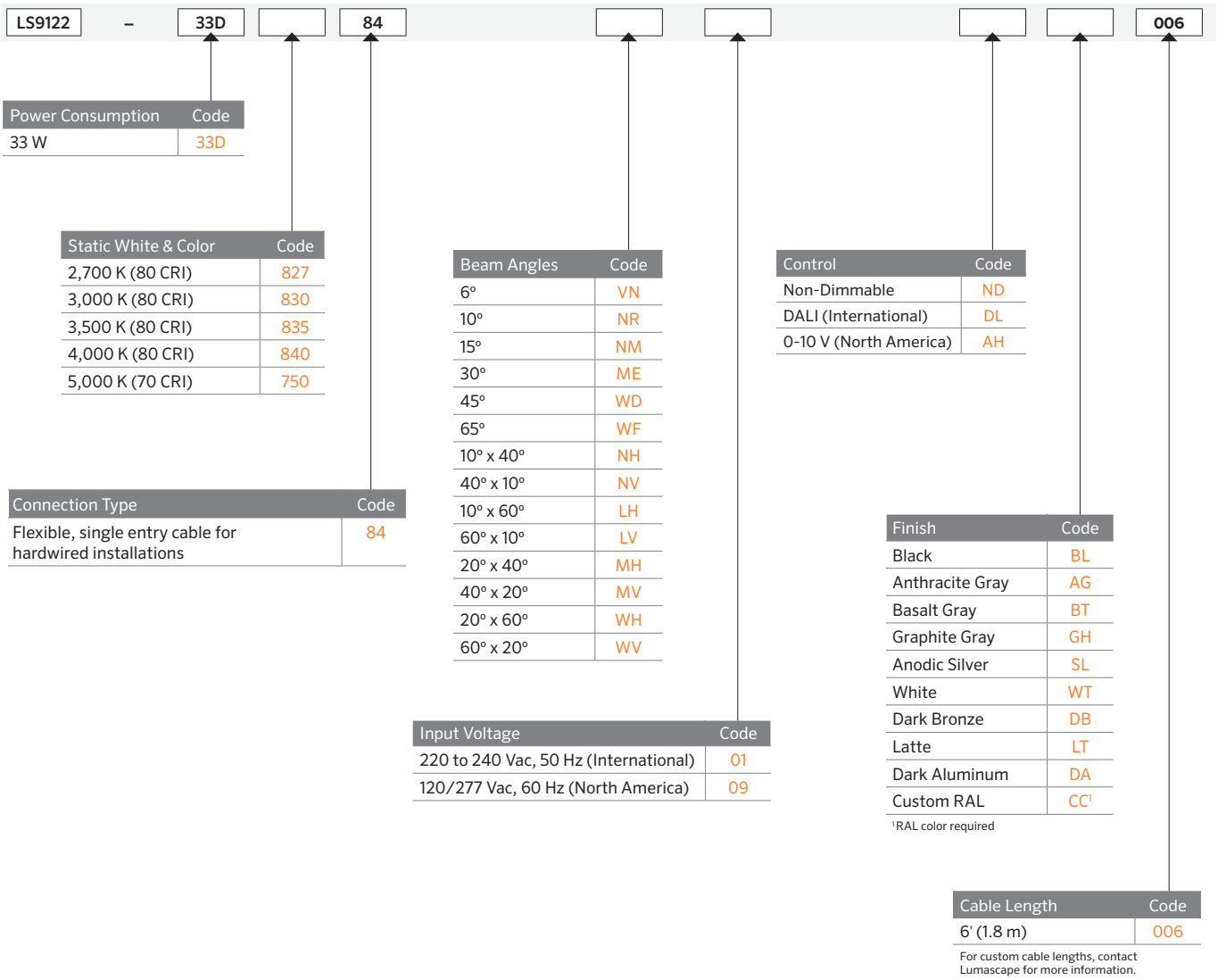
Dimensions



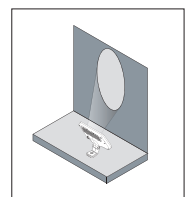
Mounting



Specification Matrix



Beam Orientation for "LH", "NH", "MH" and "WH"

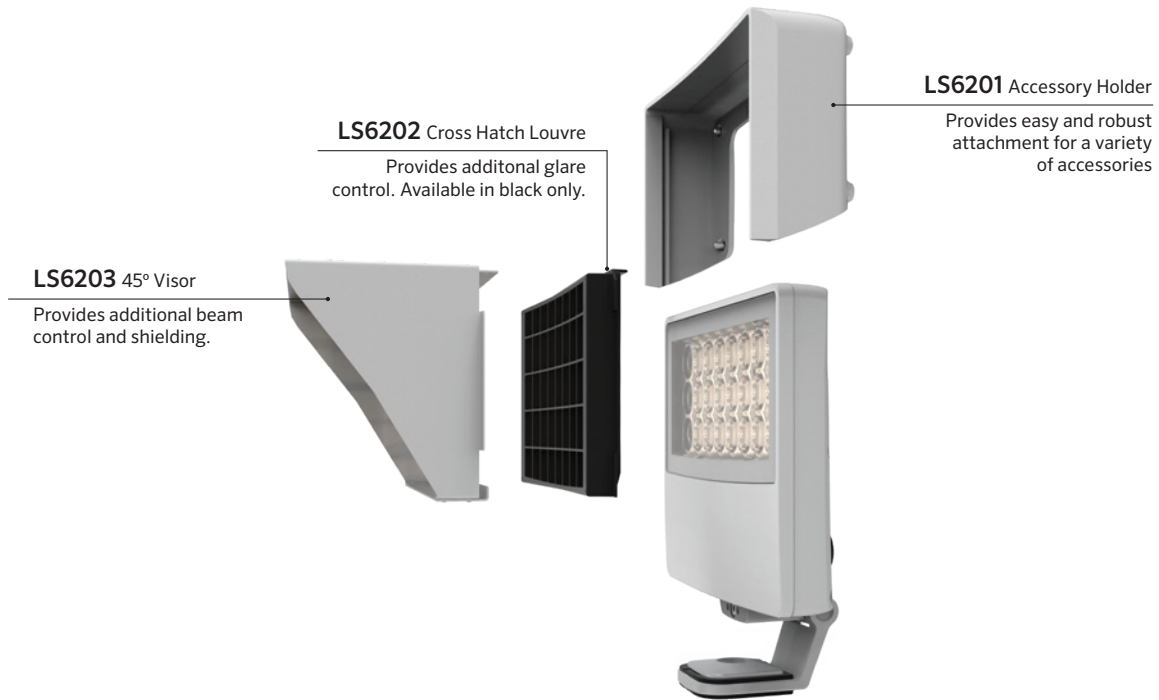


Beam Orientation for "LV", "NV", "MV" and "WV"

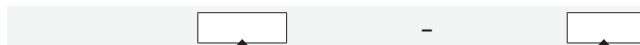
Accessories

Shielding & Glare Control

A range of shielding and glare control accessories are available for the Quadralux Q2 Spotlight.



Specification Matrix



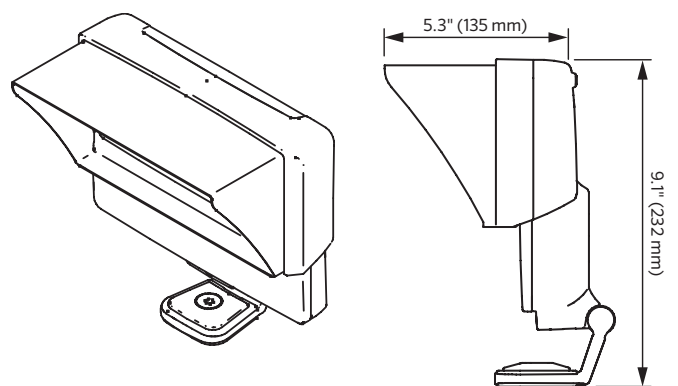
Louvre Length	Code
Accessory Holder	LS6201
45° Visor	LS6203

Custom Visors are available on request. Contact Lumascope for more information.

Finish	Code
Black	BL
Anthracite Gray	AG
Basalt Gray	BT
Graphite Gray	GH
Anodic Silver	SL
White	WT
Dark Bronze	DB
Latte	LT
Dark Aluminum	DA
Custom RAL	CC <sup>1</sup>

<sup>1</sup>RAL color required

Technical Drawings



Mounting & Installation Accessories

**Junction Box Adapter**  
(includes Surface Mounting Kit)

Allows the product to be installed onto a standard UL Junction Box. Can also be used as a neat method of surface mounting in regions other than North America.



**Pole Clamp**

Provides an easy method of installing the luminaire onto a pole, while retaining full aiming and adjustability. Available in 3.0" (76 mm), 4.0" (102 mm), 4.5" (114 mm) and 5.0" (127 mm) options.



4.5" (114 mm) option shown

**Tenon Adapter**

Available in 2 3/8" x 4.0" (60 mm x 104 mm) and 3 1/2" x 6.0" (89 mm x 147 mm) options. Contact Lumascope for more information.



2 3/8" x 4" (60 mm x 104 mm) option shown

Specification Matrix

Mounting Accessories		Code	Finish		Code
4.0" Junction Box Adaptor / Surface Mounting Kit	LS6301		Black	BL	
3.0" (76 mm) Pole Clamp	LS6302		Anthracite Gray	AG	
4.0" (102 mm) Pole Clamp	LS6303		Basalt Gray	BT	
4.5" (114 mm) Pole Clamp	LS6304		Graphite Gray	GH	
5.0" (127 mm) Pole Clamp	LS6305		Anodic Silver	SL	
2 3/8" x 4.0" (60 mm x 104 mm) Tenon Adapter	LS6306		White	WT	
3.5" x 6.0" (89 mm x 147 mm) Tenon Adapter	LS6307		Dark Bronze	DB	
Ground Mount Post (North America only)	LS6325		Latte	LT	
			Dark Aluminum	DA	
			Custom RAL	CC <sup>1</sup>	

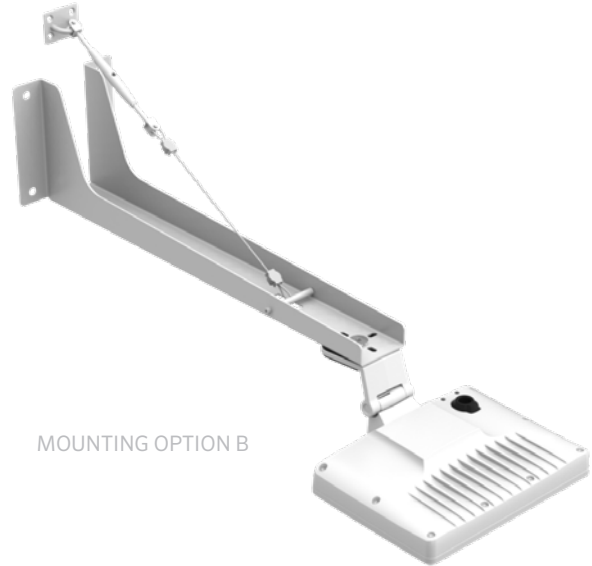
<sup>1</sup>RAL color required

Mounting Accessories

A stand off bracket, allows the luminaire to be installed off the facade. Manufactured from marine-grade 316 stainless steel for long-life in the harshest and isolated environments. Available in five length options and suitable for use with the Quadralux and Linealux luminaires.



MOUNTING OPTION A



MOUNTING OPTION B

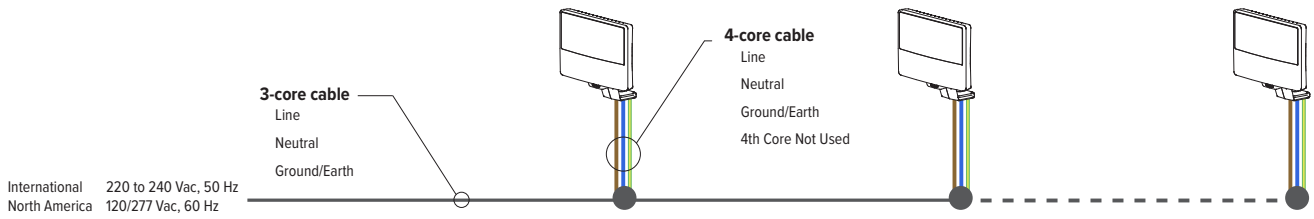
Specification Matrix



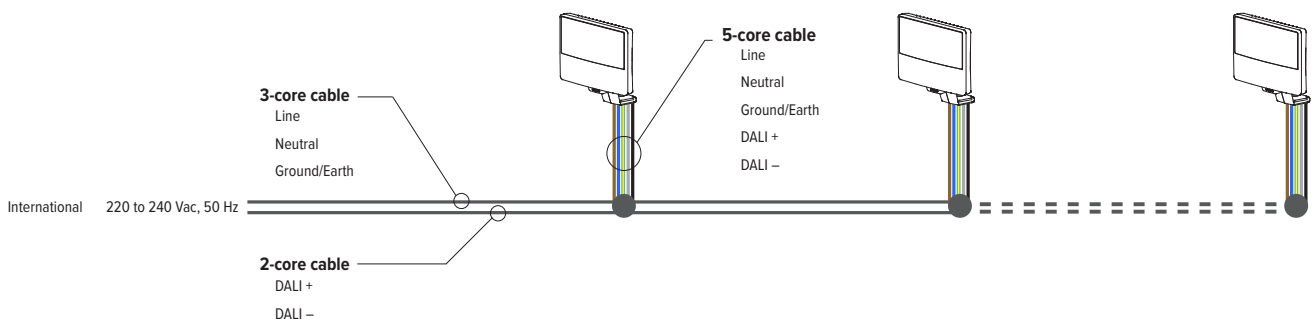
Length	Code	Finish	Code
6" (150 mm)	06	Stainless Steel	SS
12" (305 mm)	12	Black	BL
18" (457 mm)	18	Anthracite Gray	AG
24" (610 mm)	24	Basalt Gray	BT
48" (1,219 mm)	48	Graphite Gray	GH
		Anodic Silver	SL
		White	WT
		Dark Bronze	DB
		Latte	LT
		Dark Aluminum	DA
		Custom RAL	CC <sup>1</sup>

<sup>1</sup>RAL color required

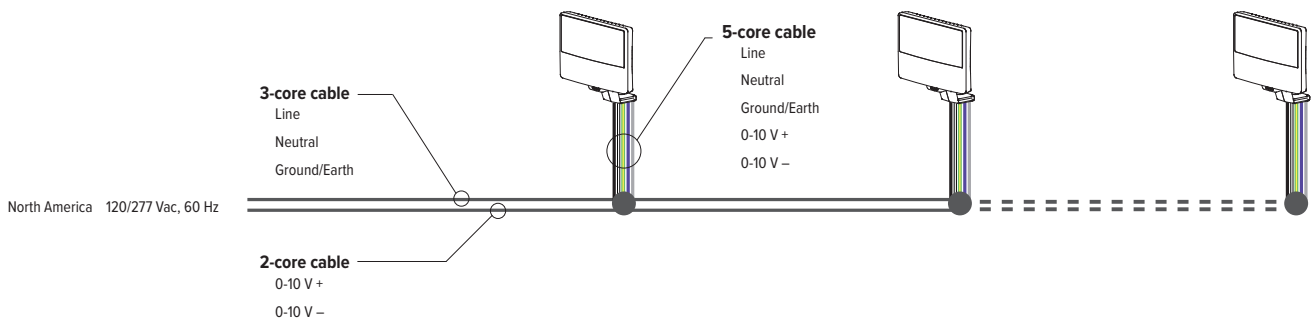
Network Topology – Non-Dimmable



Network Topology – Line Voltage 220 to 240 Vac DALI



Network Topology – Line Voltage 120/277 Vac 0-10 V



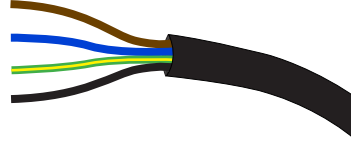
**Note:**

For all fixture wire colors and designations see page 9.

Luminaire Wire Colors & Designations

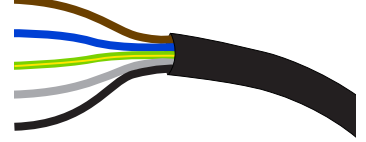
Line Voltage 220 to 240 Vac, Non-Dimmable - International

Designation	Color
Line	Brown
Neutral	Blue
Ground/Earth	Green / Yellow
Not used	Black



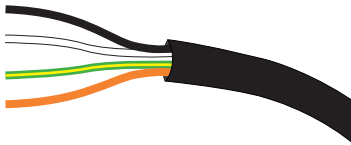
Line Voltage 220 to 240 Vac, DALI - International

Designation	Color
Line	Brown
Neutral	Blue
Ground/Earth	Green / Yellow
DALI +	Gray
DALI -	Black



Line Voltage 120/277 Vac, Non-Dimmable - North America

Designation	Color
Line	Black
Neutral	White
Ground/Earth	Green / Yellow
Not used	Orange or Red



Line Voltage 120/277 Vac, 0 to 10 V - North America

Designation	Color
Line	Black
Neutral	White
Ground/Earth	Green / Yellow
0-10 V +	Purple
0-10 V -	Pink or Gray

