




**Warranty Void if not installed as per installation instructions and in compliance with the local electrical code.**

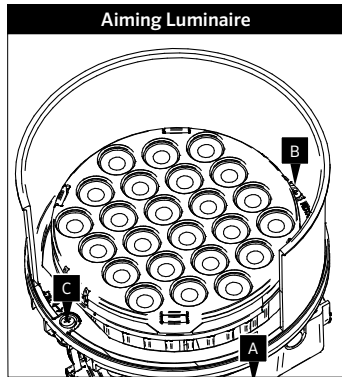
**READ ALL SAFETY INSTRUCTIONS FIRST**

- › Follow instructions carefully, failure to do so will void warranty.
- › Ensure installation complies with local law and applicable standards.
- › Input voltage range:  
International: 220-240 V AC 50/60Hz  
North America: 120/277 V AC 60Hz
- › Additional hardware may be required for dimming applications.
- › Never make connections whilst the power is connected.
- › All connections must be kept dry; failure to do so may result in product reliability issues.
- › Ensure mains input power is surge protected.
- › Do not make modifications or alter the product.
- › Keep luminaire clean and free of debris.

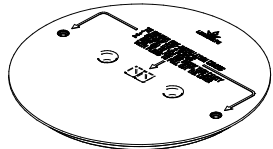
Products and specifications are subject to change without notice.  
LS3082\_PI\_HW\_IN0255\_250715

# General Assembly

 To prevent condensation, ensure luminaire is acclimatized (at same temperature as environment) before installation.



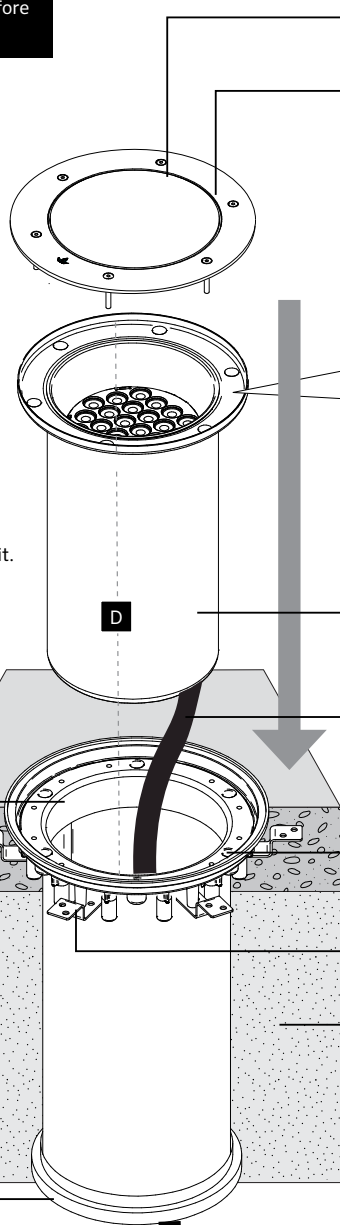
- A Aim Mark**  
Point in the direction of the target to be lit.
- B Rotation Lock Screw**  
Tighten to lock gimbal rotation.
- C Tilt Adjustment Screw**  
Turn to adjust tilt of gimbal.



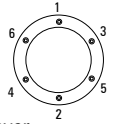
**Temporary Cover**  
Keep on pre-installation kit in order to avoid concrete and debris from entering the cavity. Remove when ready to install luminaire.

**Poured Concrete**

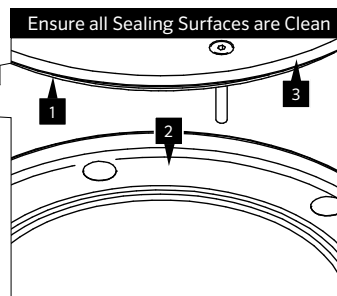
**Base Plug**  
Use as a temporary barrier when concrete is poured around pre-installation kit. Remove before installing luminaire to allow for adequate drainage.



**Cover Screw(s)**  
Tighten in the following torque pattern to seal luminaire.



**Luminaire Cover**  
After aiming luminaire at target seal luminaire using the cover. Align the cover screws and the screw holes in the luminaire body with the corresponding threaded holes in the pre-installation kit. Be sure **D** tighten cover screws as per the torque pattern shown above.



Ensure all sealing surfaces are clean and free of concrete, dirt, debris or any other foreign matter. Sealing Surfaces include.

- 1** Entire Rubber Lid Seal
- 2** Luminaire Flange
- 3** Luminaire Lid Underside

**Luminaire Body**  
Slide into pre-installation kit and secure to mounting collar using cover and cover screws.

**Luminaire Cable / Hookup Wire**  
Terminate in accordance to local wiring rules. Make sure to properly isolate data wire if not used. See diagram below for conductor colour and designation.

**Mounting Collar**  
Ensure final installation surface is completely flush with top face of the blockout.


**Mounting Brackets**  
Screw mounting brackets to collar to arrest any movement.

**Gravel**  
Use gravel which allows good drainage around luminaire.

**Wiring Details**

CE Color Code	UL Color Code	Designation	
Green / Yellow	Green	Earth / Ground	⊕
Brown	Black	Active / Live	⊖
Blue	White	Neutral	Ⓝ
<b>Optional Data cables</b>			
Black	—	DALI -	
Grey	—	DALI +	
—	Purple	0-10 V +	
—	Pink or Grey	0-10 V -	

\* Data wires (if applicable) must be appropriately insulated if not connected. Supplying the wrong operating voltage to data wires will damage luminaire and void warranty. Do not Hi-Pot test.

 Bootlace ferrules must be used on all wires when connecting in terminal blocks.

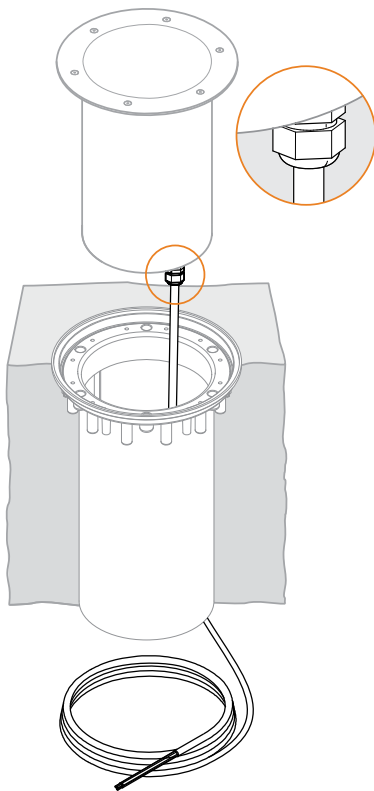
## Installation Preparation

### WARNING

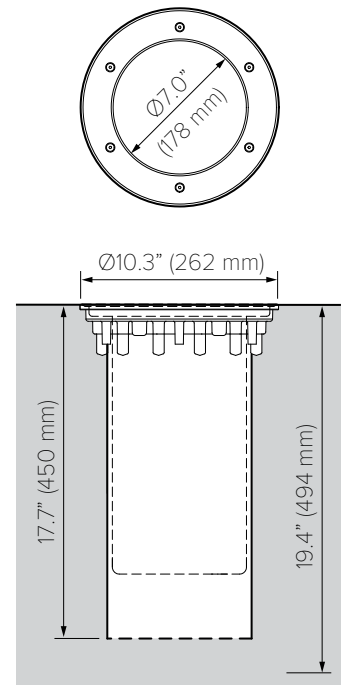
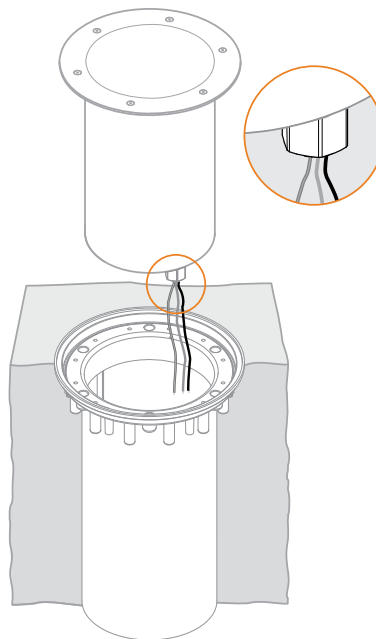
- › The luminaire should only be used complete with its protective shield (cover).
- › Keep electronics free from dirt and moisture.
- › Luminaires can become very hot. Use discretion in placement.
- › No power tools to be used.
- › Do not shorten or interfere with cable assembly.
- › Warranty will be void if cable assembly is tampered with.
- › Do not overtighten lid screws.
- › Do not apply downward force on the lid of luminaire.

## Component Overview

Connection Type '84'



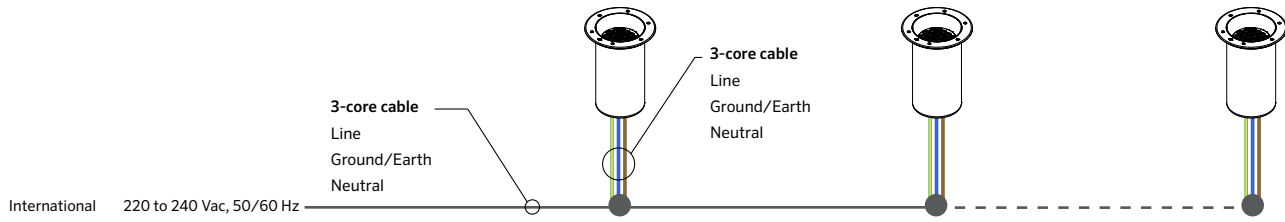
Connection Type '82'  
North American market only



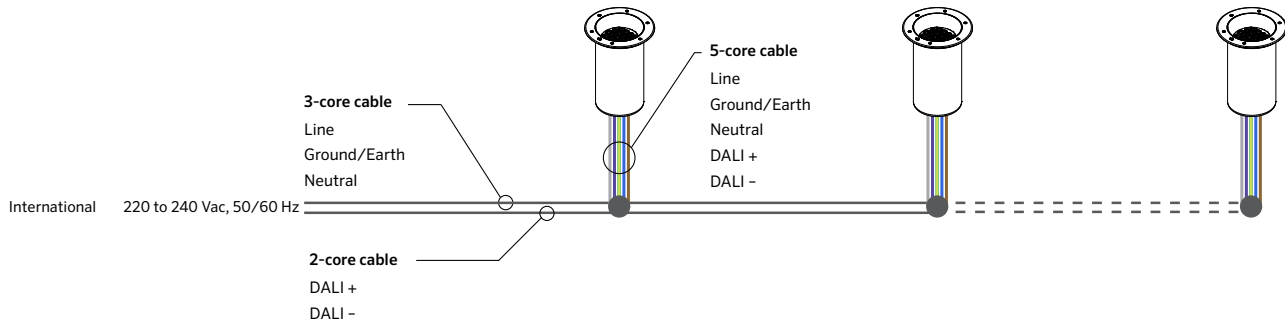
# Network Topology

Australia | Asia | Middle East | Europe

## Network Topology – Line Voltage 220 to 240 Vac Non-Dimmable



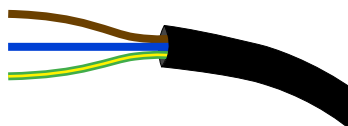
## Network Topology – Line Voltage 220 to 240 Vac DALI



## Luminaire Wire Colors & Designations

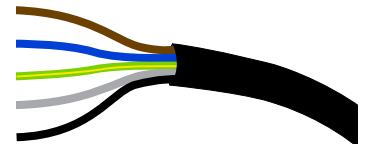
### Non-Dimmable Line Voltage 220 to 240 Vac - International

Designation	Color
Line	Brown
Neutral	Blue
Ground/Earth	Green / Yellow



### DALI Line Voltage 220 to 240 Vac - International

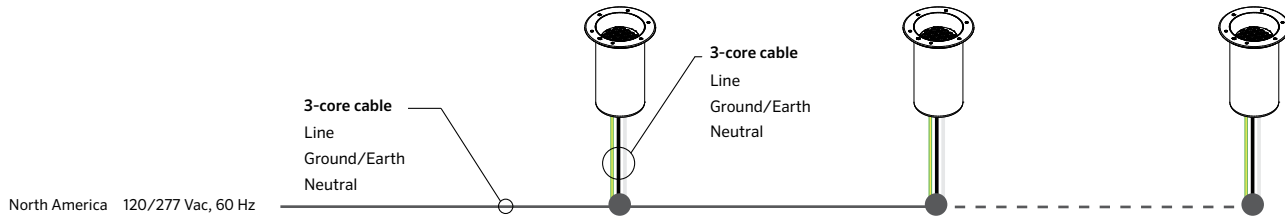
Designation	Color
Line	Brown
Neutral	Blue
Ground/Earth	Green / Yellow
DALI +	Grey
DALI -	Black



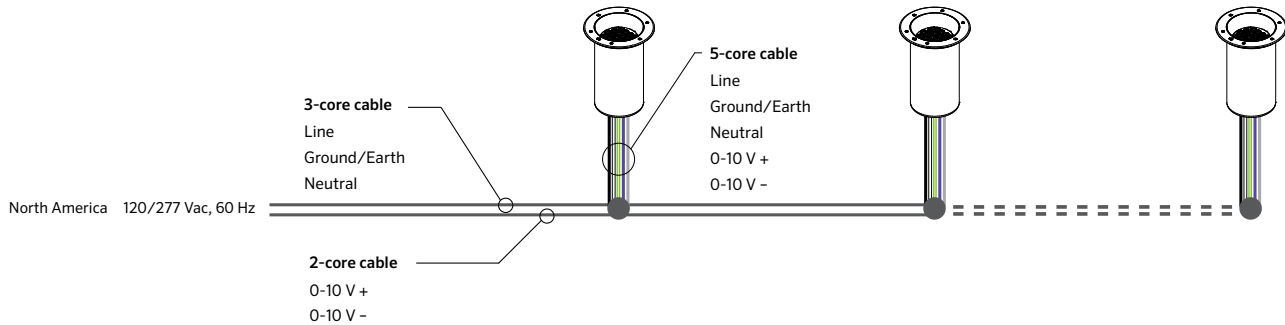
# Network Topology

North America

## Network Topology – Line Voltage 120/277 Vac Non-Dimmable



## Network Topology – Line Voltage 120/277 Vac 0-10 V



## Luminaire Wire Colors & Designations

### Non-Dimmable Line Voltage 120/277 Vac – North America

Designation	Color
Line	Black
Neutral	White
Ground/Earth	Green / Yellow



### 0-10 V Line Voltage 120/277 Vac – North America

Designation	Color
Line	Black
Neutral	White
Ground/Earth	Green / Yellow
0-10 V +	Purple
0-10 V -	Pink or Grey



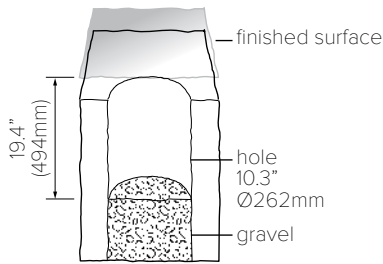
# Installation

IP68

## Step 1

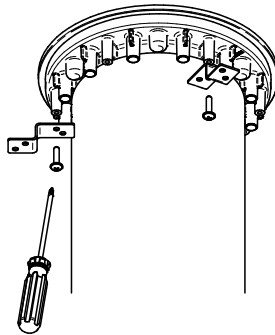
Layout luminaire locations as required. Use discretion in placement as luminaire may become hot and could burn. Luminaire cavity should be as shown. Ensure gravel or similar medium forms the bottom of the cavity to allow drainage.

**Note:** Always check luminaire lable for correct supply details and lamp type if applicable.



## Step 2

Position and use screws to attach brackets at the bottom of the mounting collar before concrete is poured.



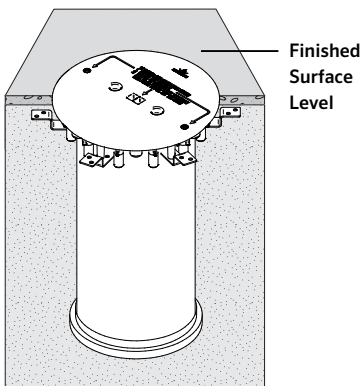
## Step 3

Fit sleeve, collar and cover plate.

- Fit sleeve and collar over base plug.
- Ensure enough cable is in the cavity to connect to luminaire.
- Position top surface of the mounting collar to be flush with final surface level.
- Screw cover plate to mounting collar.
- Ensure ample depth for fitting.

## Step 4

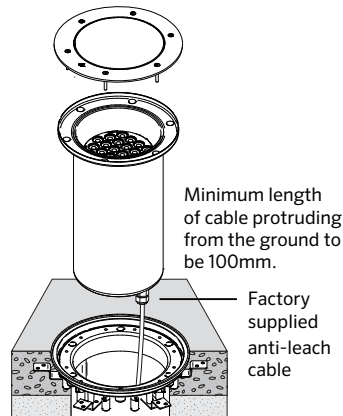
Pour concrete. Check that the top surface of the mounting collar is flush with the finished surface level.



## Step 5

When ready to install luminaire;

- Destroy base plug and assemble luminaire.
- Remove cover plate, glass and seal.



## Step 6

Connect cable / hookup wire in accordance with local wiring rules.

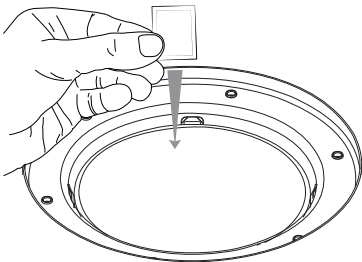
**IMPORTANT:** Power supply must be isolated prior to connection or disconnection of cables. Failure to do so will result in damage to the luminaire components.

# Installation cont...

IP68

## Step 7

Ensure that luminaire is acclimatized. Remove moisture sachet from packet supplied with lid assembly, remove gimbal from luminaire body and drop the sachet in the base of luminaire body.

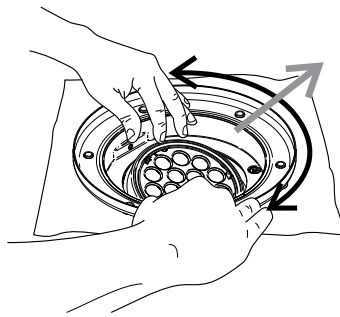


To prevent condensation, ensure luminaire is acclimatized (at same temperature as environment) before installation. Do not remove sachet from sealed packaging at this stage.

## Step 8

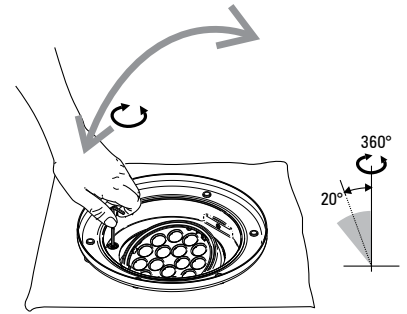
Rotate gimbal until **Aiming Mark** is targeted as desired.

Lock Gimbal. Whilst exerting downward pressure on gimbal, tighten rotational lock grub screw.



## Step 9

Adjust gimbal tilt angle by rotating Tilt Adjust screw with Allen key supplied.

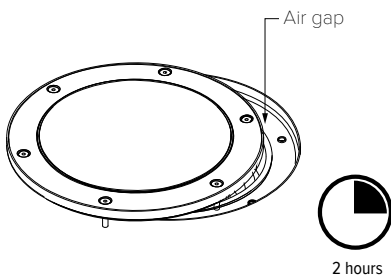


## Step 10

Lay lid partially over luminaire to allow a gap for any moisture present to evaporate prior to sealing. Connect to supply and allow to burn for 2 hours.

**IMPORTANT: Do not energise without partially covering gimbal.**

Alternatively, using heat gun set at 100°C, heat the inside of luminaire at a distance of 300mm away for 10 minutes.



## Step 11

Seal immediately after de-energising. Ensure seal and sealing surface is clean. Clean glass if necessary. Tighten lid screws using the 3mm allen key supplied. Ensure seal/sealing surface is free from debris. Lumascape recommends tightening using the torque order below.

**Do not overtighten screws, 3Nm max.**

