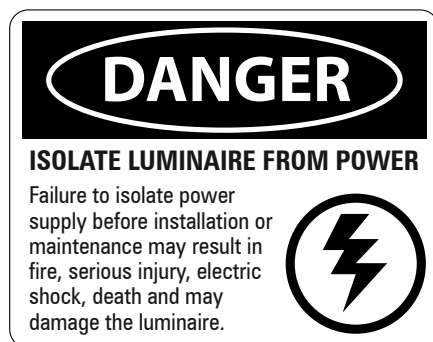


LS3082 Direct Burial



Warranty Void if not installed as per installation instructions and in compliance with the local electrical code.

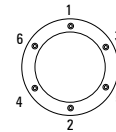
READ ALL SAFETY INSTRUCTIONS FIRST

- › Follow instructions carefully, failure to do so will void warranty.
- › Ensure installation complies with local law and applicable standards.
- › Input voltage range:
International: 220-240 V AC 50/60Hz
North America: 120/277 V AC 60Hz
- › Additional hardware may be required for dimming applications.
- › Never make connections whilst the power is connected.
- › All connections must be kept dry; failure to do so may result in product reliability issues.
- › Ensure mains input power is surge protected.
- › Do not make modifications or alter the product.
- › Keep luminaire clean and free of debris.

General Assembly

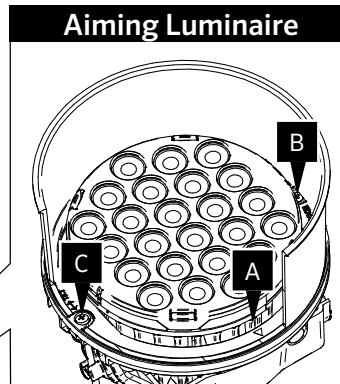


To prevent condensation, ensure luminaire is acclimatized (at same temperature as environment) before installation.

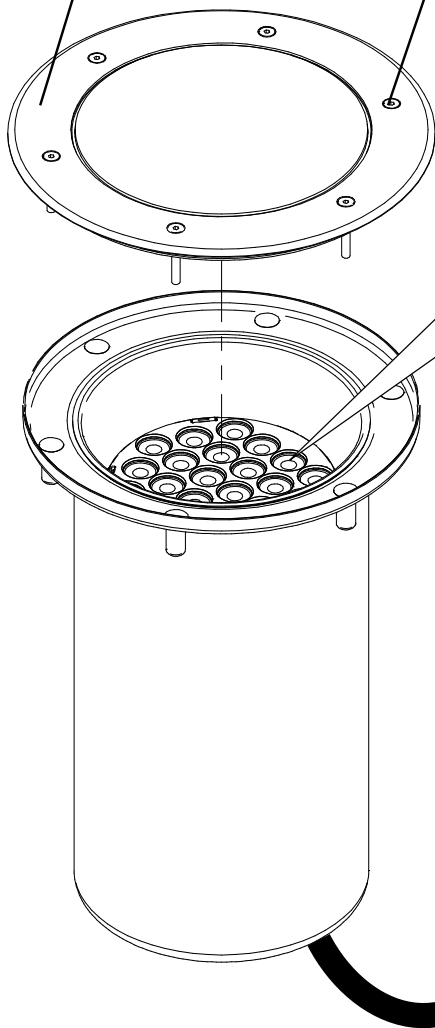


Luminaire Cover
Open to aim luminaire at target, then re-seal luminaire

Cover Screw(s)
Undo to open luminaire. Re-seal using the following torque pattern.



- A Aim Mark**
Needs to point into direction of the target to be lit.
- B Rotation Lock Screw**
Tighten to lock gimbal rotation.
- C Tilt Adjustment Screw**
Turn to adjust tilt of gimbal.



Wiring Details

CE Color Code	UL / ETL Color Code	Designation	
Green / Yellow	Green	Earth / Ground	⊕
Brown	Black	Active / Live	⊖
Blue	White	Neutral	Ⓝ
Optiona Data cables			
Black	—	DALI -	
Grey	—	DALI +	
—	Purple	0-10 V +	
—	Pink or Grey	0-10 V -	

* Data wires (if applicable) must be appropriately insulated if not connected. Supplying the wrong operating voltage to data wires will damage luminaire and void warranty. Do not Hi-Pot test.



Bootlace ferrules must be used on all wires when connecting in terminal blocks.

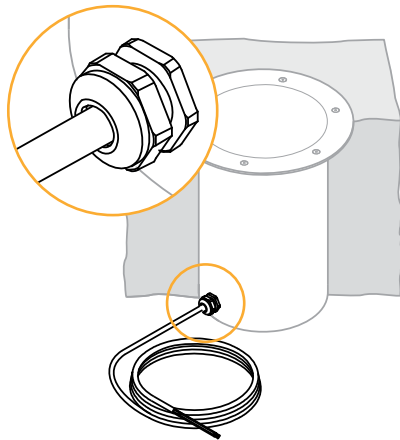
Installation Preparation

WARNING

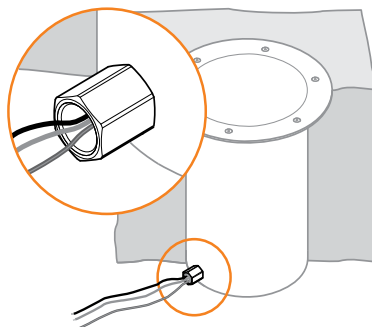
- › The luminaire should only be used complete with its protective shield (cover).
- › Keep electronics free from dirt and moisture.
- › Luminaires can become very hot. Use discretion in placement.
- › No power tools to be used.
- › Do not shorten or interfere with cable assembly.
- › Warranty will be void if cable assembly is tampered with.
- › Do not overtighten lid screws.
- › Do not apply downward force on the lid of luminaire.

Component Overview

Connection Type '84'



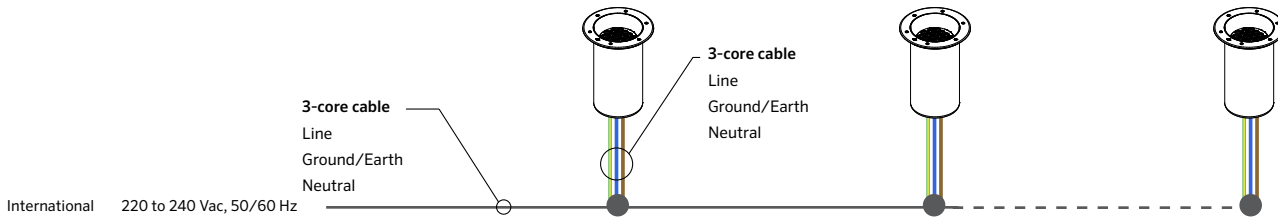
Connection Type '82'
North American market only



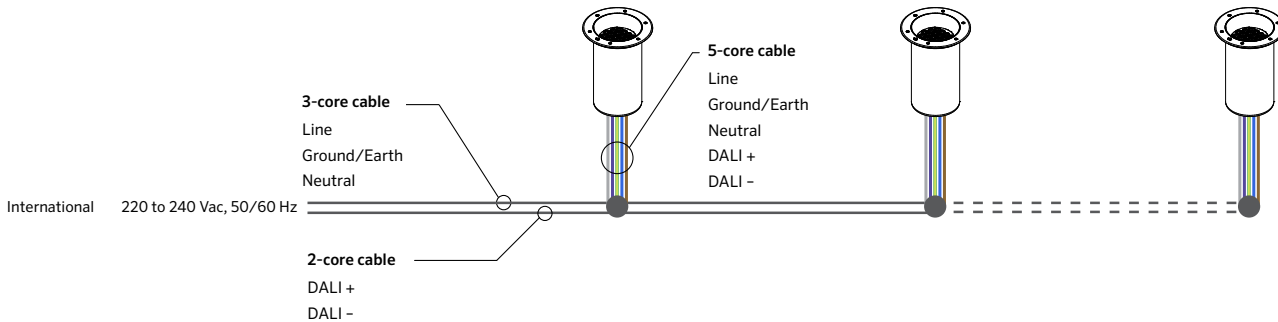
Network Topology

Australia | Asia | Middle East | Europe

Network Topology - Line Voltage 220 to 240 Vac Non-Dimmable



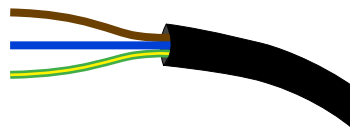
Network Topology - Line Voltage 220 to 240 Vac DALI



Luminaire Wire Colors & Designations

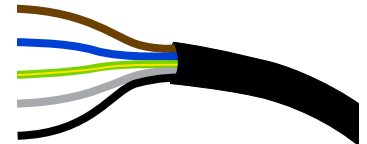
Non-Dimmable Line Voltage 220 to 240 Vac - International

Designation	Color
Line	Brown
Neutral	Blue
Ground/Earth	Green / Yellow



DALI Line Voltage 220 to 240 Vac - International

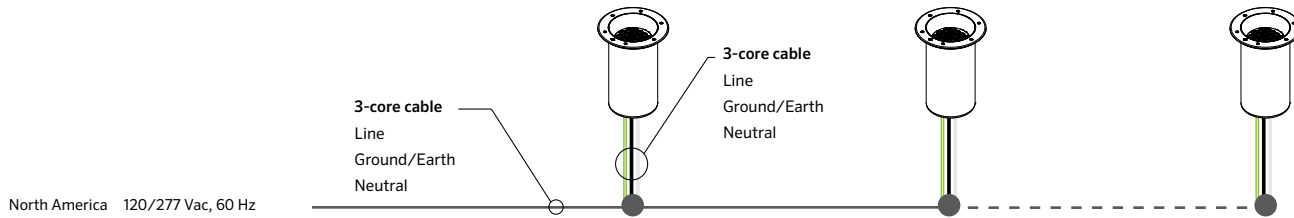
Designation	Color
Line	Brown
Neutral	Blue
Ground/Earth	Green / Yellow
DALI +	Grey
DALI -	Black



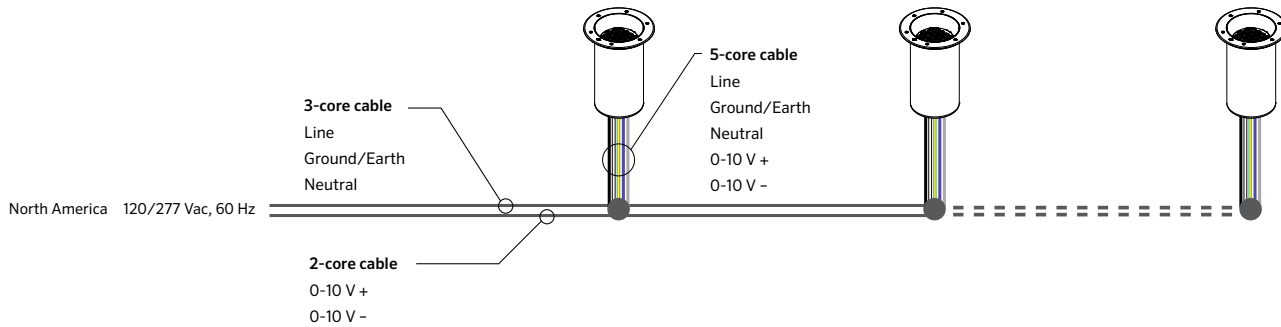
Network Topology

North America

Network Topology – Line Voltage 120/277 Vac Non-Dimmable



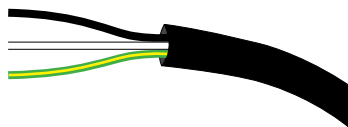
Network Topology – Line Voltage 120/277 Vac 0-10 V



Luminaire Wire Colors & Designations

Non-Dimmable Line Voltage 120/277 Vac – North America

Designation	Color
Line	Black
Neutral	White
Ground/Earth	Green / Yellow



0-10 V Line Voltage 120/277 Vac – North America

Designation	Color
Line	Black
Neutral	White
Ground/Earth	Green / Yellow
0-10 V +	Purple
0-10 V -	Pink or Grey



Installation

IP68

Step 1

Connect cable / hookup wire in accordance with local wiring rules.

IMPORTANT: Power supply must be isolated prior to connection or disconnection of cables. Failure to do so will result in damage to the luminaire components.

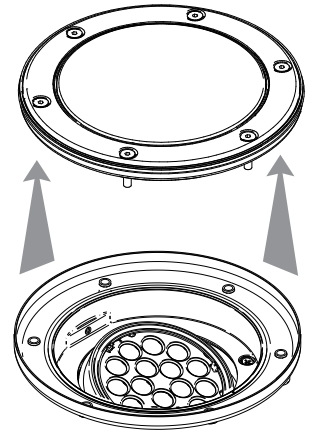
Step 2

To aim luminaire;

Ensure the luminaire is electrically isolated.
 Loosen the screws. If necessary, gently lever lid out with a large screwdriver.

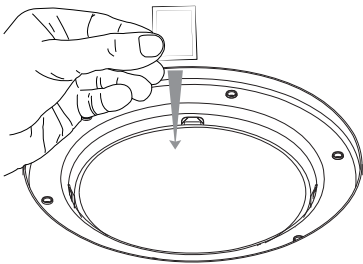
Step 3

Remove lid to expose the gimbal.



Step 4

Ensure that luminaire is acclimatized. Remove moisture sachet from packet supplied with lid assembly, remove gimbal from luminaire body and drop the sachet in the base of luminaire body.

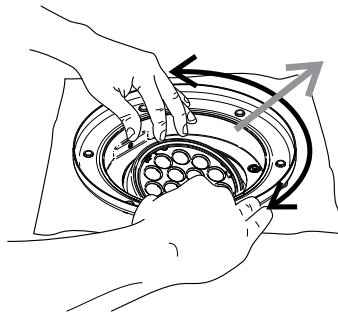


To prevent condensation, ensure luminaire is acclimatized (at same temperature as environment) before installation. Do not remove sachet from sealed packaging at this stage.

Step 5

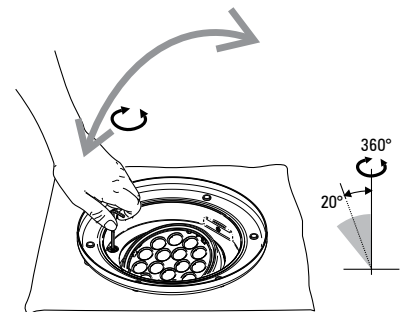
Rotate gimbal until **Aiming Mark** is targeted as desired.

Lock Gimbal. Whilst exerting downward pressure on gimbal, tighten rotational lock grub screw.



Step 6

Adjust gimbal tilt angle by rotating Tilt Adjust screw with Allen key supplied.

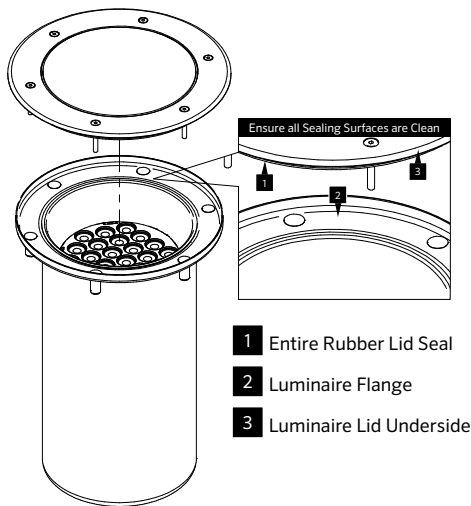


Installation cont...

IP68

Step 7

After aiming luminaire at target, ensure all sealing surfaces are clean free of debris or any foreign matter.

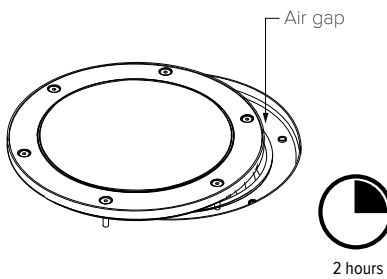


Step 8

Lay lid partially over luminaire to allow a gap for any moisture present to evaporate prior to sealing. Connect to supply and allow to burn for 2 hours.

IMPORTANT: Do not energise without partially covering gimbal.

Alternatively, using heat gun set at 100°C, heat the inside of luminaire at a distance of 300mm away for 10 minutes.



Step 9

Seal immediately after de-energising. Ensure seal and sealing surface is clean. Clean glass if necessary. Tighten lid screws using the 3mm allen key supplied. Ensure seal/sealing surface is free from debris. Lumascape recommends tightening using the torque pattern below.

Do not overtighten screws, 3Nm max.

