



The Faisca F6 is an intelligent, ultra high-output marker light with a simple yet elegant design. that allows for easy and rapid installation. The plug and play electrical connections enhance the quick and easy installation process by preventing incorrect connections. Leader cables of up to 164 ft (50 m) give greater flexibility during installation as power supplies and control equipment can be housed well away from the luminaires. High-quality LEDs achieve high-intensity beautiful, rich and vibrant colors. From highlighting architectural elements to super-smooth crossfades and color flows.

Performance

Static White & Color	Transparent Flat Lens		Diffused Dome Lens	
	Lumen Output (lm)	Efficacy (lm/W)	Lumen Output (lm)	Efficacy (lm/W)
■ 2,700 K (80 CRI)	2,270	123	1,490	82
■ 3,000 K (80 CRI)	2,440	133	1,610	89
□ 3,500 K (80 CRI)	2,440	133	1,610	89
■ 4,000 K (80 CRI)	2,840	154	1,870	103
■ 5,000 K (80 CRI)	2,630	143	1,730	96

Dynamic Color	Transparent Flat Lens		Diffused Dome Lens	
	Lumen Output (lm)	Efficacy (lm/W)	Lumen Output (lm)	Efficacy (lm/W)
■ RGBA	1,690	93	1,080	61
■ RGBW (4,000 K) with Royal Blue	1,330	75	880	50

Tunable White	Transparent Flat Lens		Diffused Dome Lens	
	Lumen Output (lm)	Efficacy (lm/W)	Lumen Output (lm)	Efficacy (lm/W)
■ 2,700 K - 6,500 K	2,430	132	1,600	88

* NOTE:

The default RGBW colors have recently changed to the RGBW with Royal Blue (4BW code). These colors will not match existing products with the earlier RGBW with Mid-Blue (4CW code). Contact Lumascope for custom LED Colors.



Products and specifications are subject to change without notice. LS9260_250909

Electrical

Power Consumption	< 20 W
Optics	Transparent Flat Lens or Diffused Domed with PureBlend Lens
Lifetime	>60,000 hrs (B10, L70)
Input Voltage	Low Voltage 30 to 48 Vdc
Earth Leakage	0.3 mA @ 120 Vac, 0.4 mA @ 240 Vac, 0.6 mA @ 277 Vac
Thermal Management	CoolDrive™ onboard thermal monitoring and control

Control

Interface	Lumascap PowerSync ®
Protocols¹	DMX/RDM, Artnet, PWM ² , 0 - 10 V (sink or source) ²
PWM Frequency	2 kHz flicker-free dimming to 0.1%
RDM Functionality	PowerSync enabled Lumascap luminaires are shipped with a default RDM personality which provides smooth dimming control. For different dimming characteristics or to enable other special functionalities, the default personality can be changed through industry standard DMX/RDM.
Systems	Range of third-party controllers

¹ Some protocols require additional hardware. For more information and other available protocols contact Lumascap.

² Not available for color-changing or tunable white

Physical

Housing	Marine-grade die-cast aluminum with UV-protected and stabilized polymer diffuser
Finish	Superior 9-step powder-coating process, including marine-grade epoxy undercoat and polyester top coat
Installation	Surface-mounted
Ambient Operating Temperature	-40°F to 122°F (-40°C to 50°C)
Surface Temperature	≤122°F (50°C)
Weight	3.5 lb (1.6 kg)
Effective Projected Area	Flat Lens; 0.09 ft ² (84.5 cm ²) Dome Lens; 0.11 ft ² (106 cm ²)

Certification & Compliance

IP Rating	IP66 / IP67 (Passes IP68 Test)
IK Rating	IK10
Environment	Dry, Damp, Wet locations
Certifications	cULus, CE, UKCA, RCM, FCC

Optics



Frosted, Dome Lens (DC)



Frosted, Flat Dome Lens (DR)

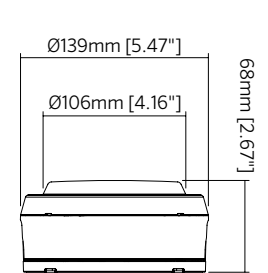
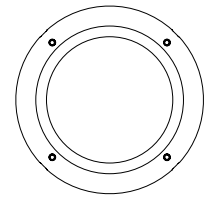
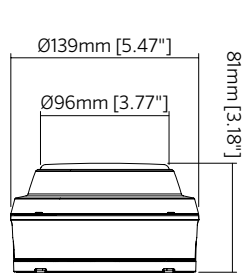
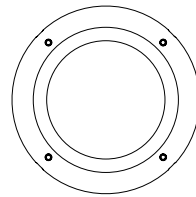
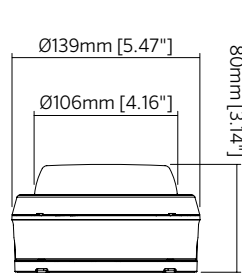
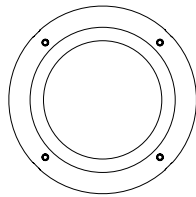
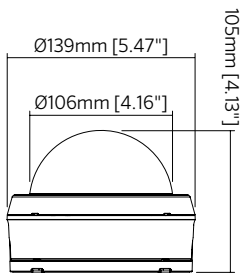
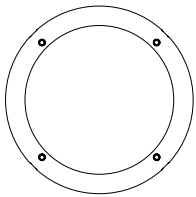


Frosted, Flat Lens (DD)



Clear, Flat Lens (DF)

Dimensions



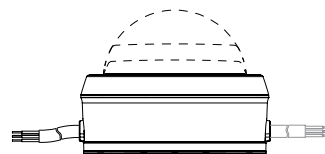
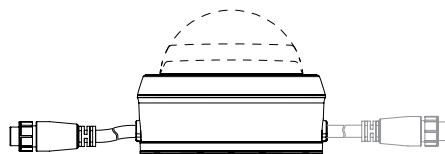
Cable Entry & Connection Type

Connectorized

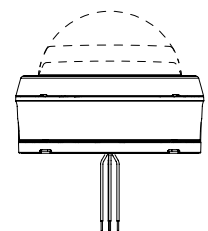
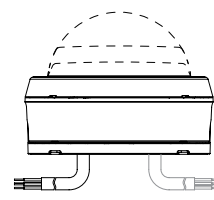
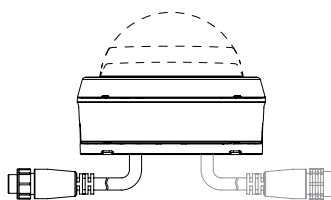
Flexible Cable

Hookup Wire

Side Entry (N)



Bottom Entry (Q)



Connectorized Cable - single (67)
Connectorized cable - loop (63)

Flexible cable - single (84)
Flexible entry cable - loop (83)

Hookup Wire (82)
North America Only

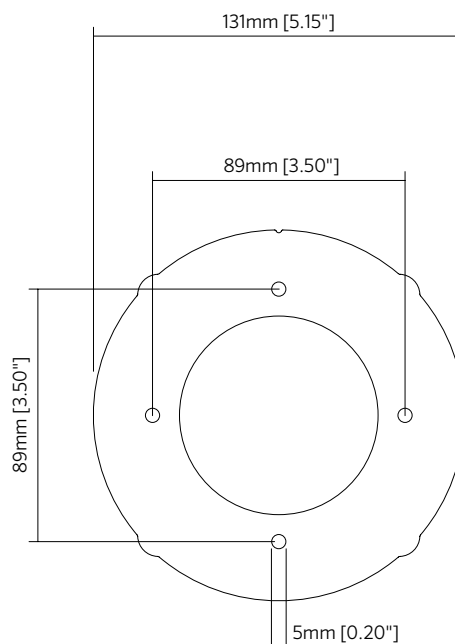
Accessories

Junction Box

For use with Connection Type '82' (hookup wire) and is ordered separately.
Available in North America Only.

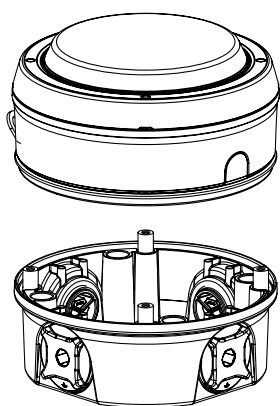


Junction Box Mounting PCD

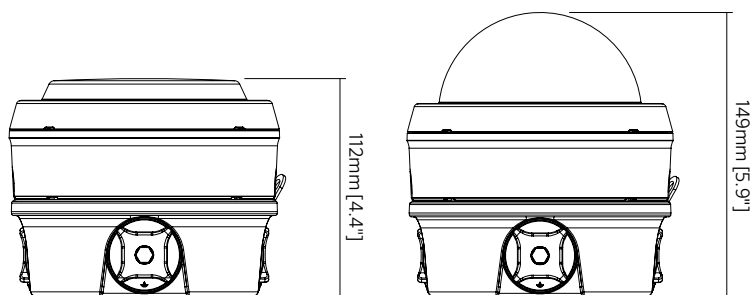
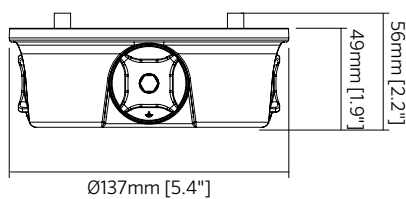


Specification Matrix

LS6327	
Product	Code
Junction Box	LS6327



Technical Drawings



Accessories

LS6329 Adjustable Surface Mount Bracket

The LS6329 surface mount bracket allows for a tilt adjustment of $\pm 20^\circ$ on one axis, providing flexibility in aiming while maintaining a clean, architectural appearance. Available in either marine-grade stainless steel or a durable powder-coated finish, the LS6329 is built to withstand demanding environments. The LS9260 must be configured with side entry cable to be compatible with the LS6329 surface mount bracket.



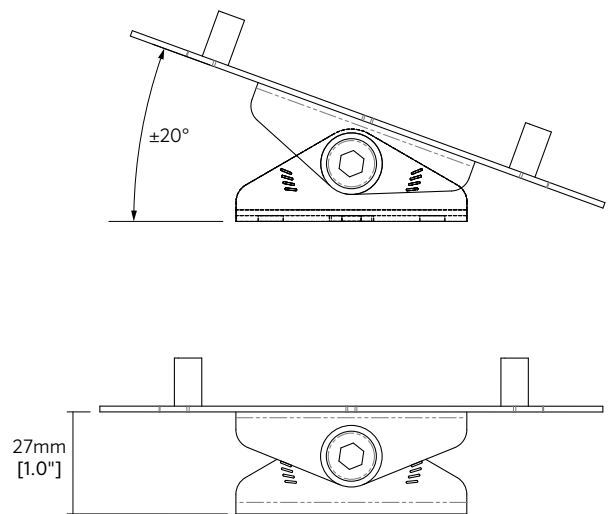
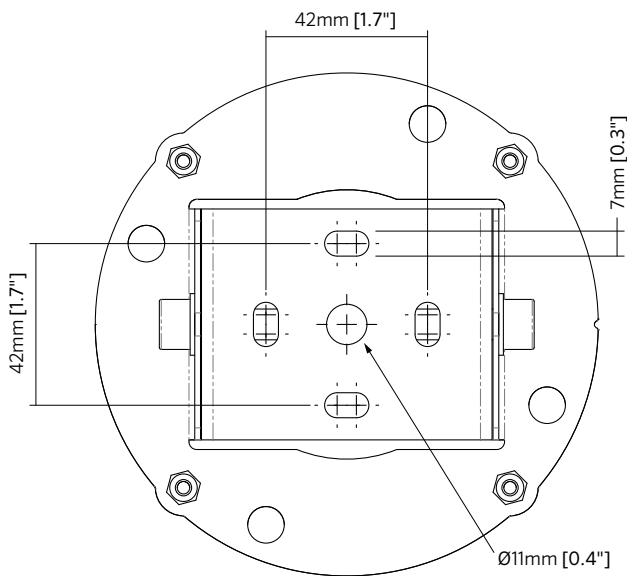
Specification Matrix

Product		Finish	
Product	Code	Finish	Code
Adjustable Surface Mount Bracket	LS6329	Stainless Steel	SS
		Black	BL
		Anthracite Gray	AG
		Basalt Gray	BT
		Graphite Gray	GH
		Anodic Silver	SL
		White	WT
		Dark Bronze	DB
		Latte	LT
		Dark Aluminum	DA
		Custom RAL	CC ¹

¹RAL color required



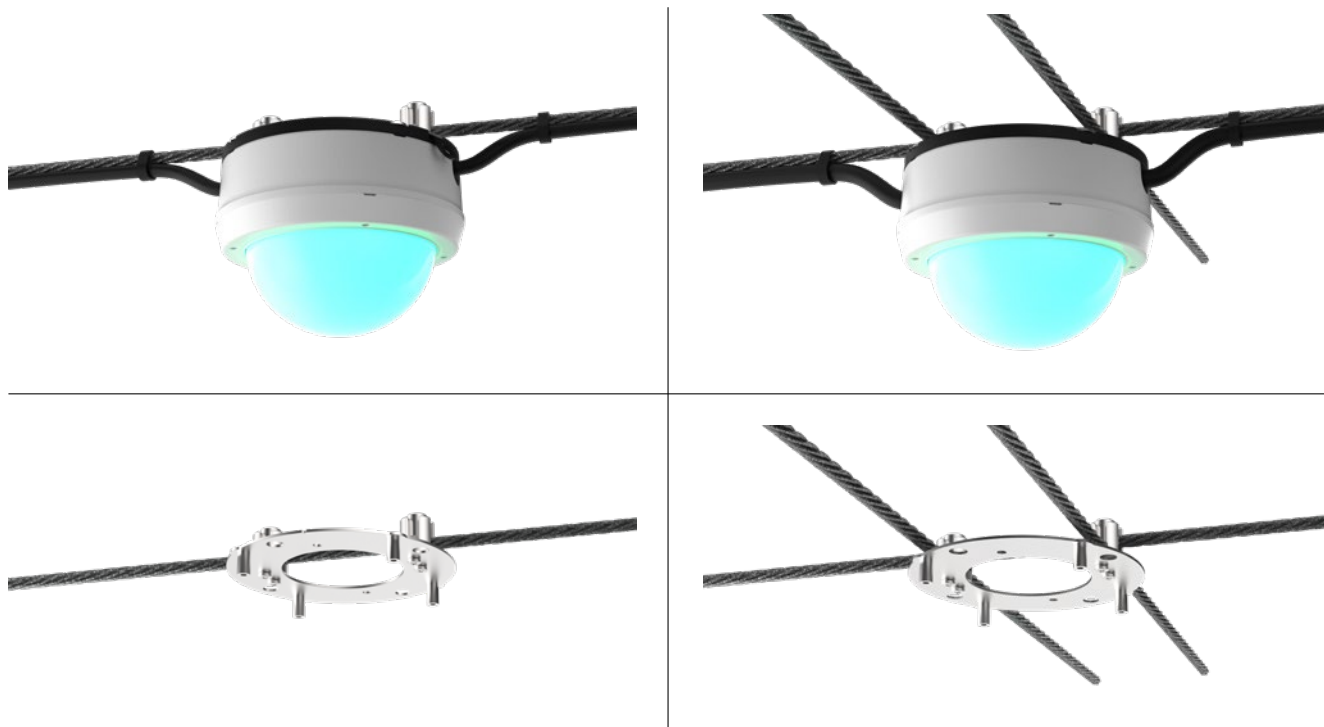
Technical Drawings



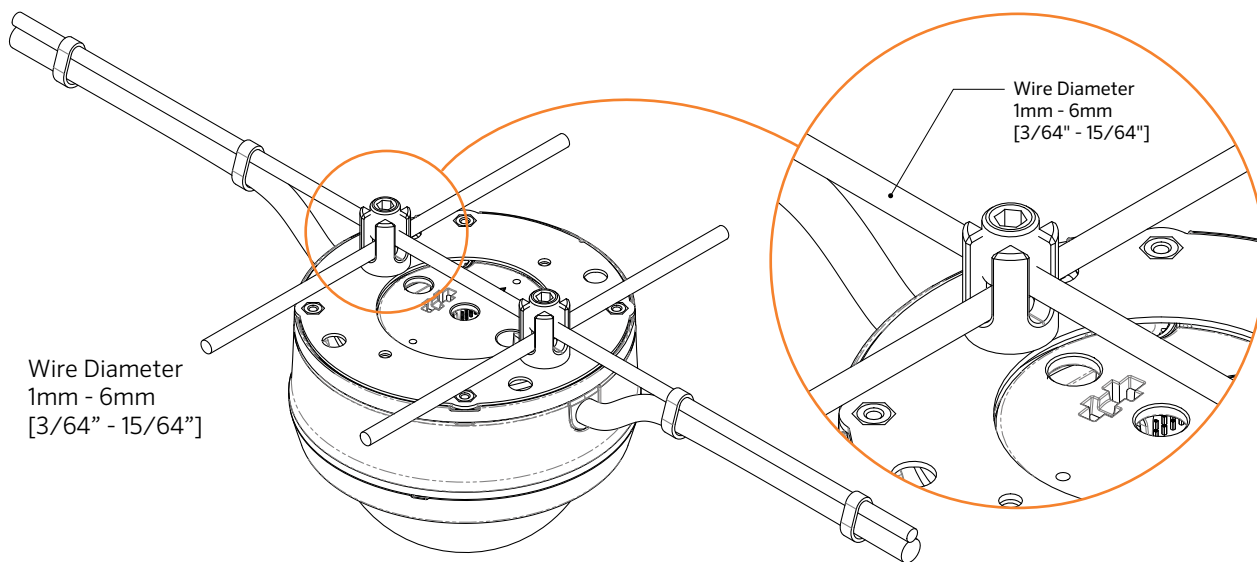
Accessories

LS6330 Catenary Mount

The LS6330 is a dedicated mounting accessory for the LS9260 architectural marker light, enabling suspension on a catenary system. Designed for versatility, it allows the luminaire to be securely mounted on metal wire ranging from 1-6 mm (3/64-15/64"). The LS9260 must be configured with a side entry cable for this accessory to be used. The LS6330 provides a sleek and reliable solution for applications requiring suspended architectural lighting.



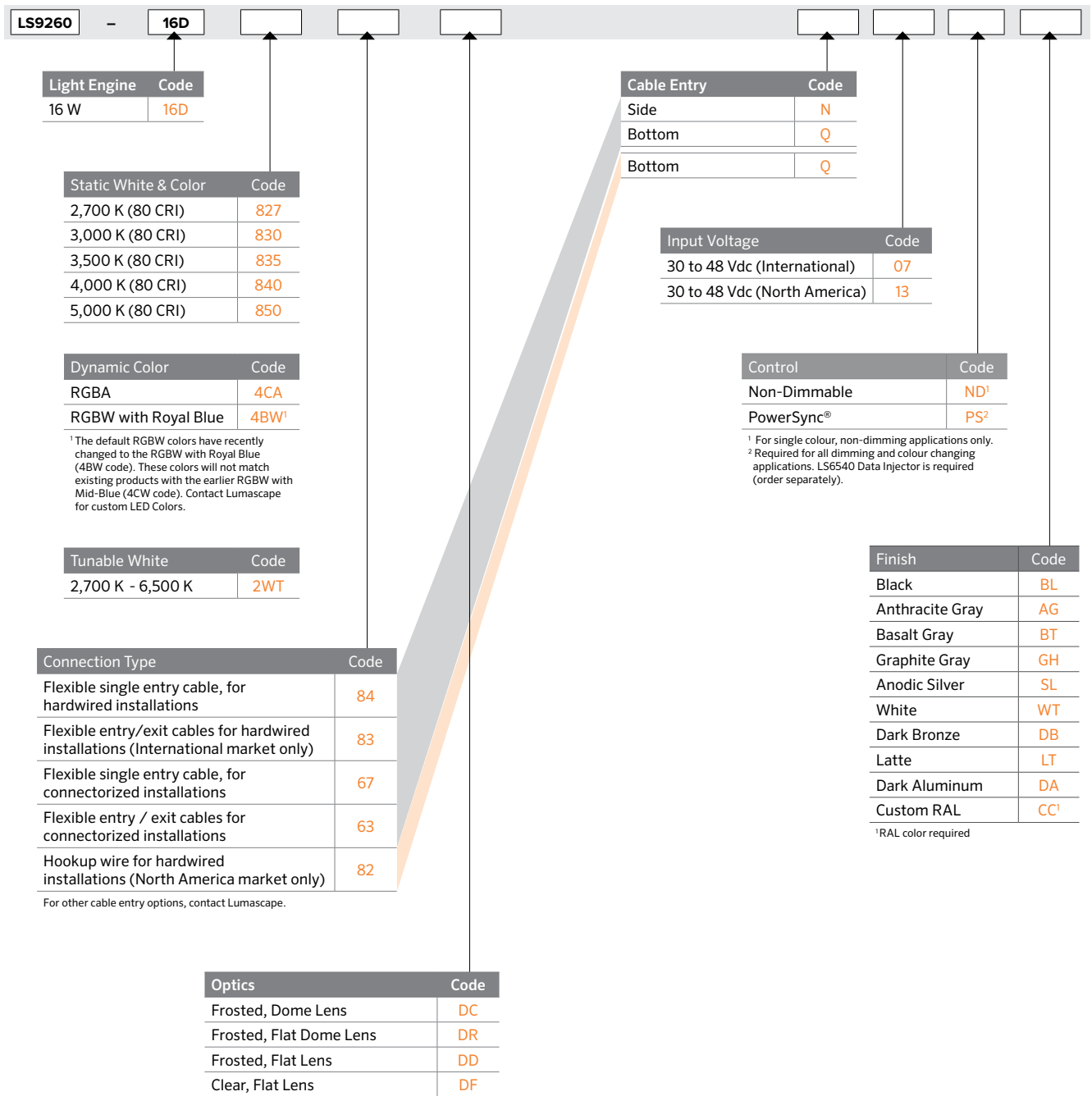
Technical Drawings



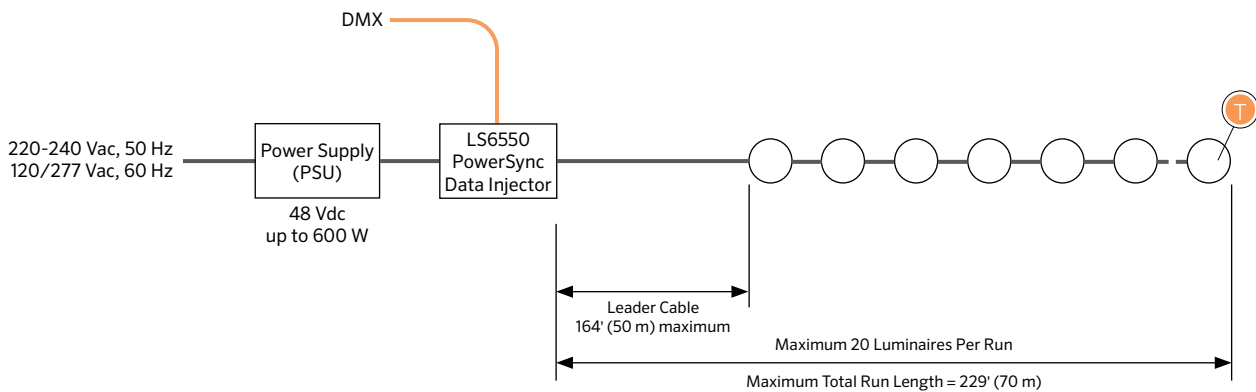
Specification Matrix

	LS6330
Product	Code
Catenary Mount	LS6330

Specification Matrix



Network Topology – Low Voltage 30-48 Vdc Dimmable and Color-Changing via PowerSync™ 4



T Terminator
Use PowerSync™ terminator, supplied with leader cable to terminate last luminaire in chain.

I Maximum Current
Maximum current through cables and connectors supplied by Lumascape:
≤12.8 A - Installations in North American Market (UL, ETL)
≤16 A - Installations in International Market (CE, CCC)

Up to 20 luminaires per 48 V PowerSync circuit / LS6550 Low Voltage PowerSync Data Injector

Maximum Circuit Loading - Single Run						
LED Power	Max Leader Cable Length from LS6550 to first luminaire	Maximum number of luminaires per 48 V Power Supply				
		120 W	240 W	320 W	480 W	600 W
20 W	50' / 15 m	4	9	12	17	20
	98' / 30 m	4	9	11	16	18
	164' / 50 m	4	8	10	14	15

Values in the above table show the maximum circuit loading per 48 V circuit. Values are based on 4.0' (1.2 m) spacing. Smaller spacing may effect the circuit loading. Extended fixture cables, inclusion of jumper cables, or longer leader cable will effect loading. Circuits can be made up of up to 20 luminaires, up to the maximum circuit loading in the table above. Circuits are limited to maximum 12.8 A. For non-continuous runs, contact Lumascape for details.

Connectorized Accessories – Low Voltage 30 to 48 Vdc

Leader Cables – PowerSync™ Extra Low Voltage (For Connection Type 63 or Type 67)

3-core 16 AWG / 1.5mm² for use in CE/CCC and UL installations. Compatible with all luminaires with Type 63 or 67 connectorized supply cable option. Supplied fitted with an IP68 connector for pairing with the first connectorized luminaire in a Powersync4, Low Voltage circuit. Comes complete with a matching End of Circuit, Powersync4, extra low voltage terminator plug.

LS6426		-		
Cable Type	Code	Cable Type	Code	Length
1.5 mm ²	LS6426	Non-Dimmable	ND	10' (3 m)
		PowerSync	PS	16' (5 m)
				50' (15 m)
				66' (20 m)
				98' (30 m)

Jumper Cables – PowerSync Extra Low Voltage (For Connection Type 63)

3-core 16 AWG / 1.5 mm² for use in CE/CCC and UL installations. Compatible with all Luminaires with Type 63 connectorized supply cable option. Supplied fitted with IP68 connectors for joining between connectorized luminaires in a Powersync4, extra low voltage circuit.

LS6427		-		
Cable Type	Code	Cable Type	Code	Length
1.5 mm ²	LS6427	Non-Dimmable	ND	1' (0.3 m)
		PowerSync	PS	2' (0.6 m)
				3' (1 m)
				6' (2 m)
				16' (5 m)
				32' (10 m)
				50' (15 m)
				66' (20 m)
				98' (30 m)

Connectorized Accessories

Terminators

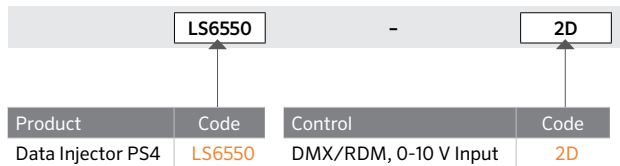
Product	Code
PowerSync Terminator Connectorized, Extra Low Voltage 30-48 Vdc (CCC, CE, UL)	LS6437

* NOTE:

- DMX Terminators ship with PowerSync Data Injectors.
- Terminators for hardwired PowerSync installations ship with PowerSync Data Injectors.
- Terminators for connectorized PowerSync installations ship with Leader Cables.
- Order separately for spares only.

PowerSync Low Voltage 30 to 48 Vdc Data Injector

Translates control signals into a digital format, delivering integral power and data to intelligent LED luminaires. This allows highly-granular addressing and high-speed digital control of every luminaire, using only three wires. The data injector is DIN rail mountable designed to be installed in a switchboard, next to the power supply and circuit breaker that is supplying power to the controlled lighting circuit. Accepts a growing list of standard protocols (0-10 V, DMX/RDM) for simple integration with a wide selection of control systems using these industry standard protocols.



NOTE:

PowerSync Data Injector ships with three (3) hardwired terminators and one (1) hardwired DMX terminator.

Luminaire Wire Colors & Designations

Low Voltage 30 to 48 Vdc

Designation	Color
+ DC	Red
- DC	Black
Data	Orange

