



The Erden Brass EB3 Foundation is a robust and compact in-ground luminaire, delivering an impressive output of over 1,400 lumens. IP68 factory-sealed, and featuring a die-cast brass body, it is designed for reliability and superior outdoor performance in the most challenging of environments.

Highly versatile, the Erden Brass EB3 Foundation offers two orientations (vertical and a 15° tilted), a selection of stainless-steel and brass lids, glare control louvers, and the choice between direct burial or a pre-installation sleeve for mounting in concrete. This luminaire can also be rotated 360° within its pre-installation sleeve for easy aiming without the need for disassembly or unsealing.

Available in symmetrical and elliptical beam options and DALI®, 0 to 10 V dimming or non-dimmable configurations. Ideal for a variety of projects, the Erden Brass EB3 is the perfect blend of durability, performance, and style for any outdoor applications.

Performance

Static White & Color ¹	Lumen Output (lm)	Efficacy (lm/W)	Peak Intensity (cd)
3,000 K (80 CRI)	1,300	92.0	22,900
4,000 K (80 CRI)	1,400	100.0	24,800

¹ Lumen output values are based on a 15 W luminaire with 10° lens in a vertical orientation

Beam Angles	Vertical	10°, 13°, 20°, 33°, 47°, 10° x 40°, 40° x 10°, 20° x 66°, 66° x 20°
	Angled	12°, 20°, 36°, 47°, 20° x 40°, 40° x 20°, 25° x 60°, 60° x 25°

! Other LED colours and CRIs available on request. Contact Lumascope for options.



Products and specifications are subject to change without notice. LS3332-240306

Electrical

Power Consumption	< 14 W
Lifetime	> 179,506 hours @ 122°F (50°C) Ambient Temperature (B10, L90, TM21 Projected)
Input Voltage	International 220 to 240 Vac, 50 Hz North America 120/277 Vac, 60 Hz
Thermal Management	CoolDrive™ onboard thermal monitoring and control

Control

Protocols	DALI® (International), 0 to 10 V (North America), Non-Dimmable
------------------	--

Physical

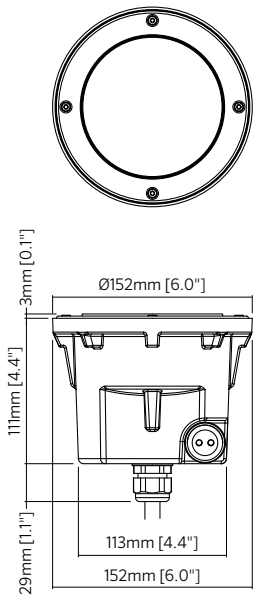
Housing	Die-cast brass body with optional stainless-steel or brass lid
Installation	Pre-Installation blockout for concrete pour, drive-over and general use applications. Direct burial for landscapes, planters and special applications.
Adjustability	
Wiring	84 (flexible cable), 82 (½" NPT) Direct Burial and Pre-Install
Ambient Operating Temperature	-4°F to 122°F (-20°C to 50°C)
Surface Temperature	< 149°F (< 65°C)
Weight	6.2 lb (2.8 kg)
Drive-Over	With OptiClear lens and pre-installation kit (LS6387)

Certification & Compliance

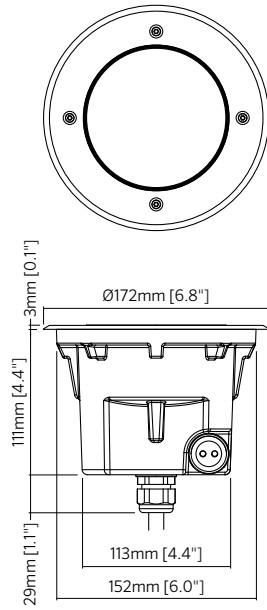
IP Rating	IP68
IK Rating	IK8
Static Load Rating	2,866 lb (1,300 kg)
Environment	Dry, Damp, Wet Locations Inherently protected Suitable for use in poured concrete
Certifications	ETL, CE, RCM, FCC

Direct Burial Dimensions

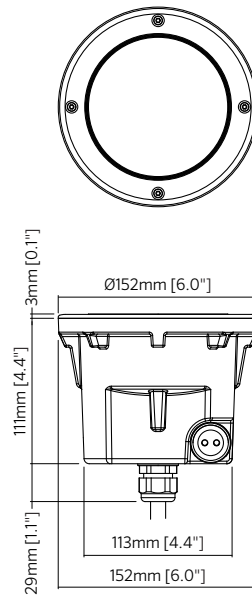
Recessed Cover (B)



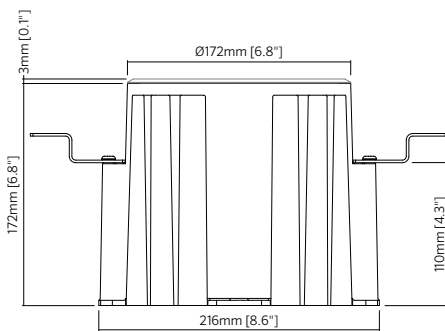
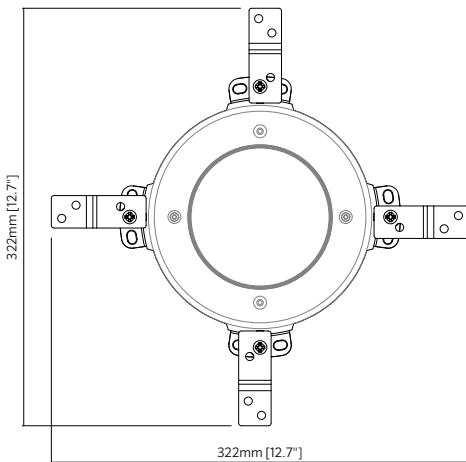
Flush Cover (D)

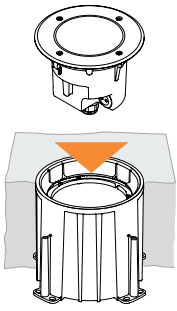


Integrated Cover (A)



Pre-Install Dimensions



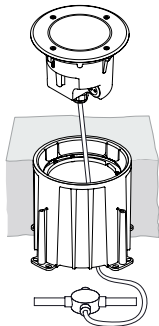


Pre-Installation Blockout

This type of installation requires the LS6387 Pre-Installation Kit (ordered separately), which acts as a concrete blockout and is intended for installation before the luminaire. This method ensures the luminaire itself is not damaged during concreting or other site works.

Used for	Drive over applications General use applications Concrete pour applications where luminaire is to be installed after site work has been completed.
Benefits	Easy removal for servicing
Accessories	LS6387 Pre-Installation Blockout

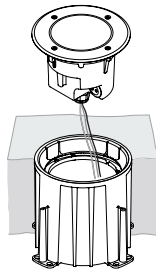
Connection type '84'



Flexible Cable

For connections to the branch circuit via junction box (by others) or other approved method. 6.5' (2 m) length. For other length options, contact Lumascape.

Connection type '82'
North American market only



1/2" NPT Adapter

The luminaire is factory-fitted with 6.5' (2 m) hookup wire. Ensure terminations can be made within this length. For other length options, consult Lumascape.

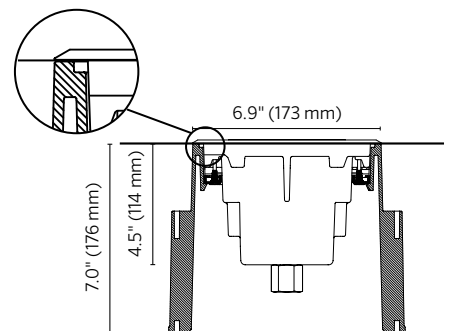
Flush Cover Option

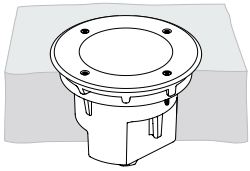
Flush covers for pre-installation, use special seals and support bushes to ensure static loads up to 3,306 lb (1,500 kg) are properly supported. In order, to achieve this drive-over rating, OptiClear™ or GripGlass™ must be used.



Pre-Installation Blockout Round Flush Cover

■ SS316: Polished



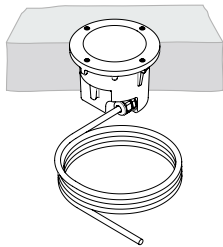


Direct Burial

Luminaire is put directly into soil or concrete.

Used for	Landscaping areas Applications where depth is restricted Rate for use in concrete pour applications Economical option
Benefits	Allows for maximum heat dissipation
Restrictions	Not as easy to remove for service as pre-install version Not suitable for drive-over (requires pre-installation) Connection Type 82 only available for North American market.

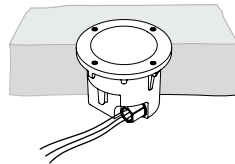
Connection type '84'



Flexible Cable

For connections to the branch circuit via junction box (by others) or other approved method. 6.5' (2 m) length. For other length options, contact Lumascape.

Connection type '82'
North American Market only



1/2" NPT Adapter

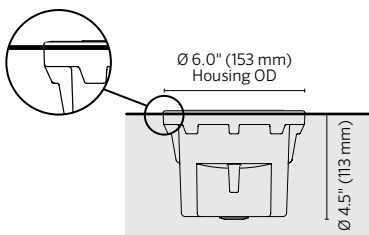
The luminaire is factory-fitted with 6.5' (2 m) hookup wire. Ensure terminations can be made within this length. For other length options, contact Lumascape.

Recessed Cover Options

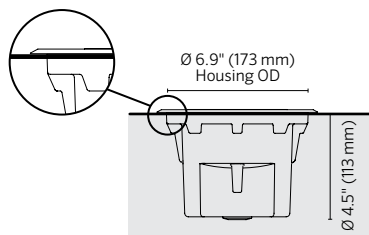
Use recessed cover for installation in soil, grass, pavers and other uneven surfaces where no cover overhang is required.



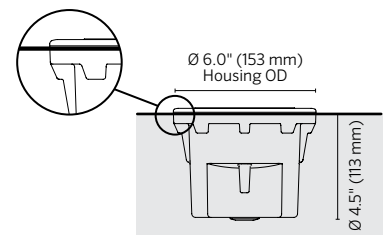
Round Recessed Cover
■ SS316: Polished



Round Flush Cover
■ SS316: Polished



Integrated Flush
■ Brass



Flush Cover Options

Use flush covers for installation in fine finished surfaces such as granite and marble. Can also be used in some suspended applications to conceal gaps between the luminaire and the surrounding surface.

Integrated Cover Option

Similar to the recessed cover but features a thick brass trim for a clean edge appearance. It is also ideal for installation in soil, grass, pavers, and other uneven surfaces where no cover overhang is needed.

Pre-Installation Specification Matrix

LS3332	-	14D			D							23	Q				
--------	---	-----	--	--	---	--	--	--	--	--	--	----	---	--	--	--	--

Power Consumption	Code
14 W	14D

Static White & Color	Code
3,000 K (80 CRI)	830
4,000 K (80 CRI)	840

Lens	Code
OptiClear™	A
GripGlass™	G

Cover	Code
Stainless steel, polished, flush	D

Connection Type	Code
Flexible cable, single entry, for hardwired installations	84
Hookup wire and ½" NPT, single entry, for hard wired installations (North America only)	82

Upward Orientation	Beam Angle	Code
	10°	VN
	13°	NR
	20°	NM
	33°	ME
	47°	WD
	10° x 40°	NH
	40° x 10°	NV
	20° x 66°	WH
	66° x 20°	WV

Angled 15°	Beam Angle	Code
	12°	NR
	20°	NM
	36°	ME
	47°	WD
	20° x 40°	MH
	40° x 20°	MV
	25° x 60°	WH
	60° x 25°	WV

Glare Control	Code
No Louver	N
Snoot Array Louver	S
Honeycomb Louver	H

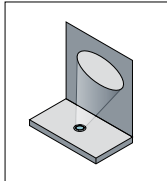
Housing Depth	Code
Preinstall Blockout 6.8" [175 mm]	23

Cable Entry	Code
Bottom	Q

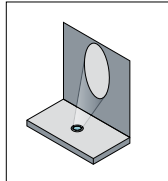
Input Voltage	Code
220 to 240 Vac, 50 Hz (International)	01
120/277 Vac, 60 Hz (North America)	09

Control	Code
DALI (International)	DL
0 to 10 V (North America)	AH
Non-Dimmable	ND

Orientation	Code
Vertical Upward	U
Angled 15°	W

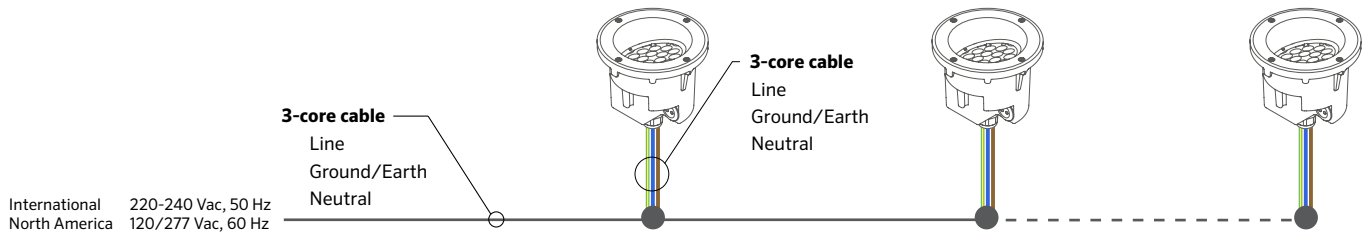


Beam Orientation for the "MH", "NH" and "WH" optical system

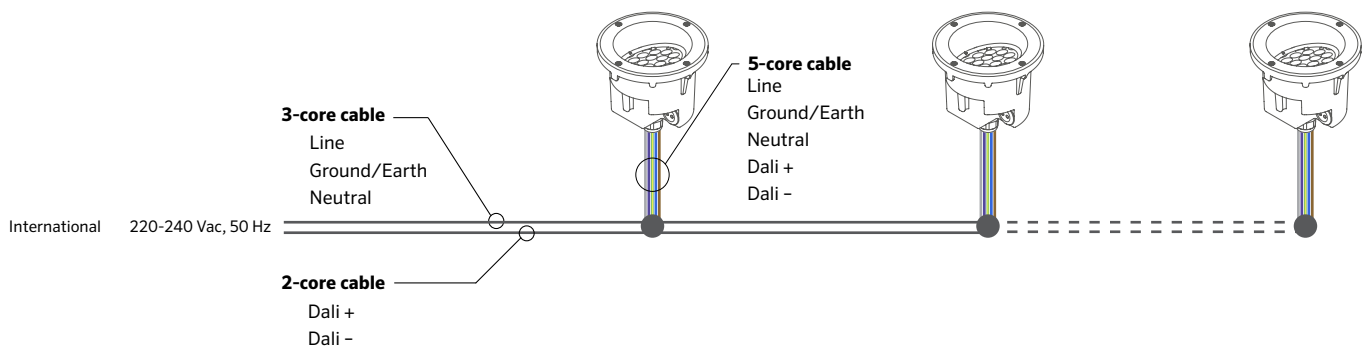


Beam Orientation for the "MV", "NV" and "WV" optical system

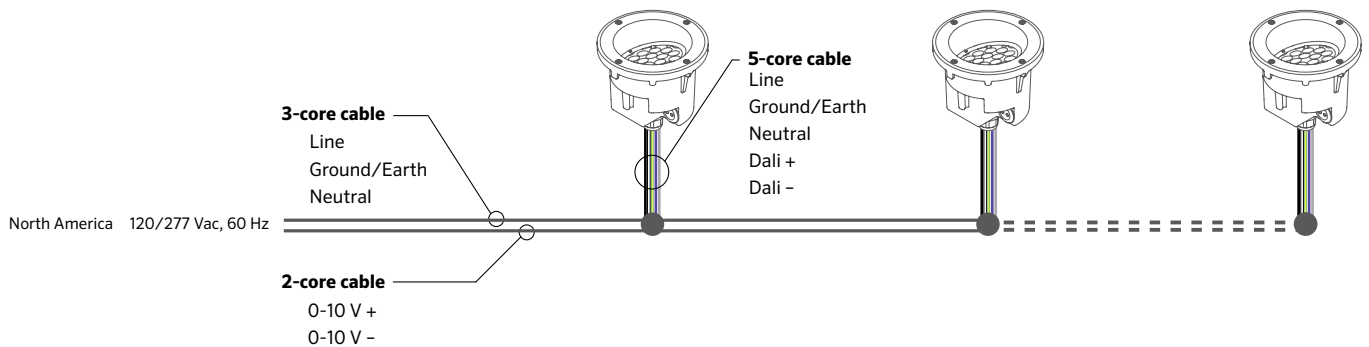
Network Topology - Line Voltage 220 to 240 Vac, 120/277 Vac Non-Dimmable



Network Topology - Line Voltage 220 to 240 Vac DALI



Network Topology - Line Voltage 120/277 Vac 0 to 10 V



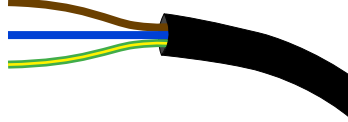
NOTE:

For all luminaire wire colors and designations see page 9.

Luminaire Wire Colors & Designations

Non-Dimmable Line Voltage 220-240 Vac - International

Designation	Color
Line	Brown
Neutral	Blue
Ground/Earth	Green / Yellow



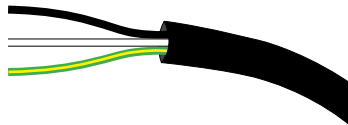
DALI Line Voltage 220-240 Vac - International

Designation	Color
Line	Brown
Neutral	Blue
Ground/Earth	Green / Yellow
DALI +	Grey
DALI -	Black



Non-Dimmable Line Voltage 120/277 Vac - North America

Designation	Color
Line	Black
Neutral	White
Ground/Earth	Green / Yellow



0-10 V Line Voltage 120/277 Vac - North America

Designation	Color
Line	Black
Neutral	White
Ground/Earth	Green / Yellow
0-10 V +	Purple
0-10 V -	Pink or Grey

