

LS2010



## READ ALL SAFETY INSTRUCTIONS FIRST

- › Follow instructions carefully, failure to do so will void warranty.
- › Ensure installation complies with local law and applicable standards.
- › Input voltage is:  
120-240 VAC, 50/60 Hz or 30-48 VDC
- › Only use Lumascape power supply, control equipment and leader cables.
- › Ensure mains input power is surge protected.
- › Never make connections whilst the power is connected.
- › Do not make modifications or alter the product.
- › Keep luminaire and connections clean and free of debris and moisture.
- › It is the installers responsibility that the installation is adequately sealed to avoid moisture ingress.

**Luminaire Tilt**

Loosen to adjust luminaire tilt.  
 Tighten to lock tilt into place.

**Luminaire Rotation**

Loosen to adjust luminaire rotation.  
 Tighten to lock rotation into place.

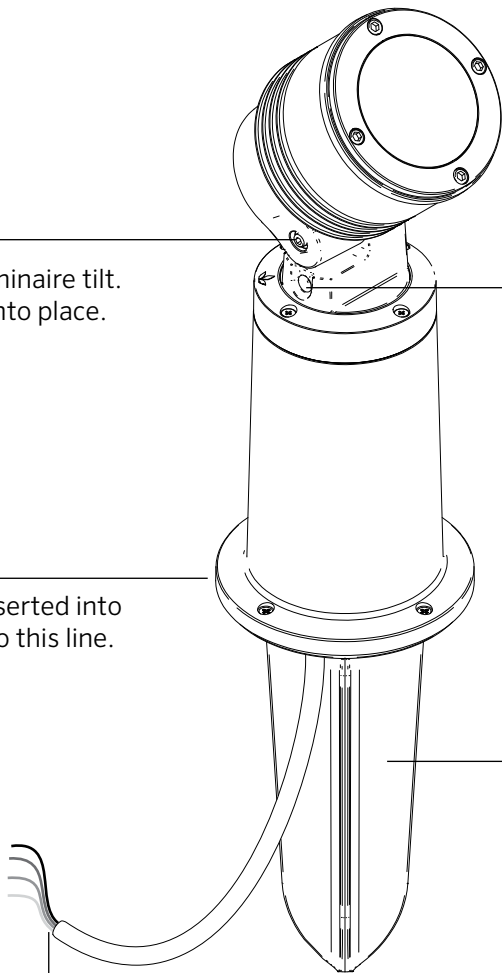
Luminaire can be inserted into  
 concrete / dry soil to this line.

**Mounting Spike / Concrete Anchor**

Place in soil or concrete. It is the installers  
 responsibility to ensure that the installation  
 complies with local wiring rules.

**Type 84 Connection**

Flexible cable, single  
 entry, forward wired  
 installations. Connect to  
 supply cable. Refer to  
 table for conductor colour  
 and designation.



Mains Voltage		Low Voltage (PowerSync)	
Colour	Designation	Colour	Designation
Blue	Neutral	Black	Negative
Green	Earth	Red	Positive
Brown	Active	Data	Orange
Black	Data		

Power supply must be isolated prior to connection  
 or disconnection of cables. Failure to do so will  
 result in damage to the luminaire components.