



The most compact and versatile, remote driver surface mounted luminaire in its class, featuring a light output and energy efficiency surpassing 35 W Metal Halide. Packed with features including **EasyGlow™** visual comfort and **CoolDrive™** thermal management technologies. **PowerSync™** allows for highly granular digital control via common protocols. Unique and flexible mounting with glare control accessories enable installation in multiple orientations including two axes of adjustment making it ideal for direct or indirect applications. Available in white, color-changing and tunable white light engines.

Performance

Static White & Colour*	Lumen Output (lm)	Efficacy (lm/W)	Peak Intensity (cd)
● 2,700 K (80 CRI)	1,568	75	35,700
● 3,000 K (80 CRI)	1,655	81	38,200
○ 3,500 K (80 CRI)	1,730	85	38,900
● 4,000 K (80 CRI)	1,712	84	39,700
● 5,000 K (70 CRI)	2,025	99	47,200
● Red	640	37	12,000
● Green	1,980	92	37,100
● Blue	640	28	12,000

\*Static white lumen output values are based on a 10° lens.

Dynamic Colour	Lumen Output (lm)	Efficacy (lm/W)	Peak Intensity (cd)
● RGBA	1,020	49	16,100
● RGBW with Royal Blue	1,100	51	19,000

Tunable White	Lumen Output (lm)	Efficacy (lm/W)	Peak Intensity (cd)
● 2,700 K - 6,500 K	1,697	82	39,900

Beam Angles	10°, 13°, 20°, 26°, 47°, 10° x 40°, 40° x 10°, 20° x 60°, 60° x 20°
-------------	---

**Electrical**

<b>LED Power</b>	22 W
<b>Power Consumption</b>	≤26 W
<b>Lifetime (L70)</b>	> 60,000hrs (B10, L70, TM21)
<b>Input Voltage</b>	30-48 Vdc
<b>Thermal Management</b>	<b>CoolDrive™</b> onboard thermal monitoring and control.

**Control**

<b>Interface</b>	Lumascap <b>PowerSync™</b>
<b>Protocols<sup>1</sup></b>	DMX / RDM, Artnet, PWM <sup>2</sup> , 0 - 10V (sink or source) <sup>2</sup>
<b>PWM Frequency</b>	2 kHz flicker-free dimming to 0.1%
<b>Systems</b>	Range of third-party controllers

<sup>1</sup> Some protocols require additional hardware. For more information and other available protocols contact Lumascope.

<sup>2</sup> Not available for color-changing

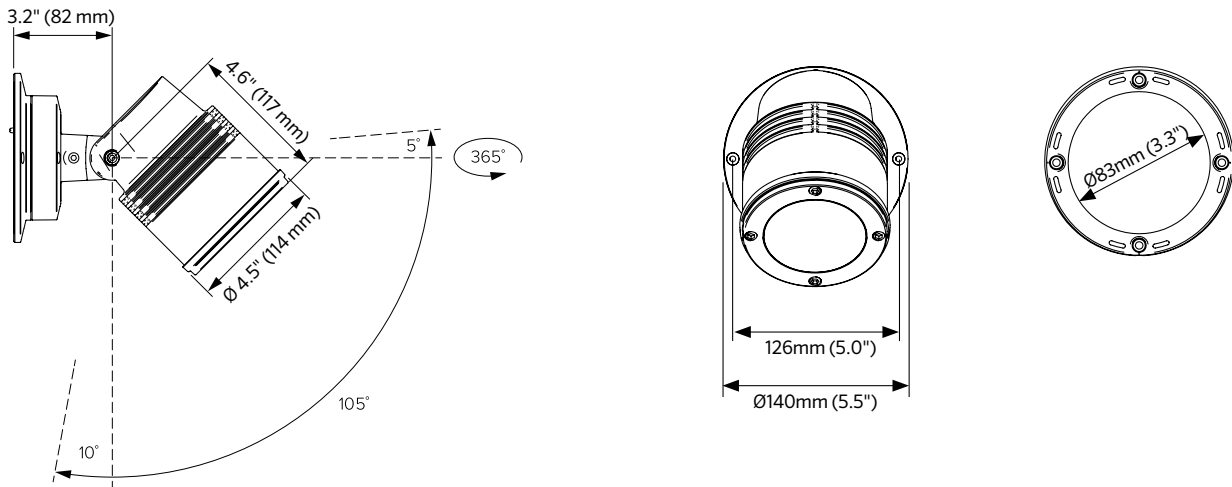
**Physical**

<b>Housing</b>	Die-cast marine grade aluminum with tempered glass lens
<b>Finish</b>	Superior 9-step powdercoating process, including marine-grade epoxy undercoat and polyester top coat
<b>Installation</b>	Surface-mounted
<b>Adjustable</b>	Constant torque adjustable luminaire head
<b>Ambient Operating Temperature</b>	-40 °F to 122 °F (-40 °C to 50 °C)
<b>Surface Temperature</b>	≤138 °F (59 °C)
<b>Weight</b>	4.5 lbs (2.0 kg)

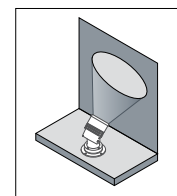
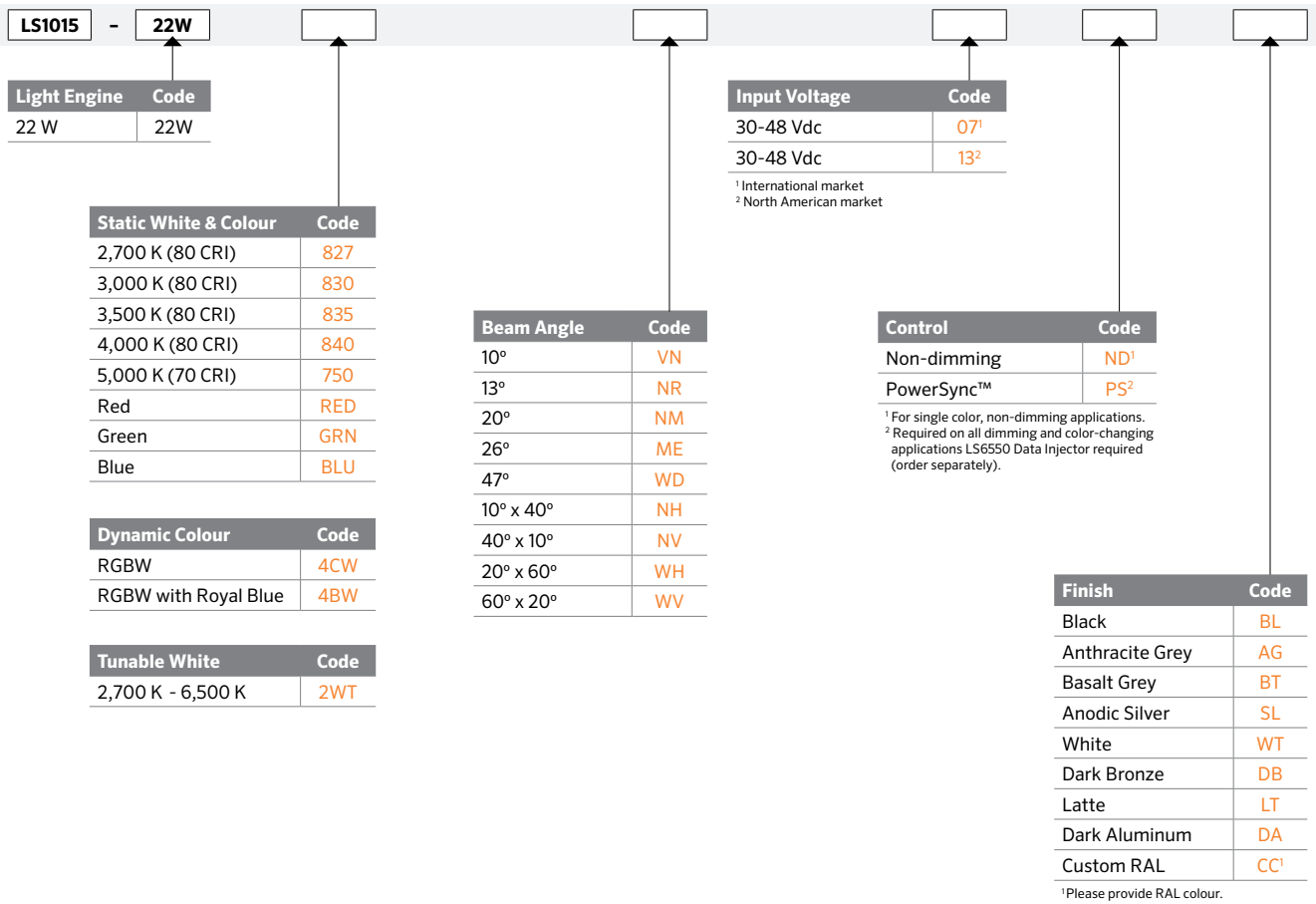
**Certification & Compliance**

<b>IP Rating</b>	IP66 / IP67 (Tested to IP68)
<b>IK Rating</b>	IK7
<b>Environment</b>	Dry, Damp, Wet locations
<b>Certifications</b>	ETL, CE, RCM, CCC

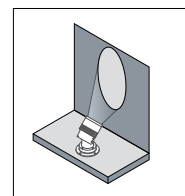
Dimensions



Specification Matrix



Beam Orientation for the "NH" and "WH" optical system



Beam Orientation for the "NV" and "WV" optical system

Accessories

**Shielding & Glare Control**

An external glare control accessory suitable for use on the Centria series of luminaires.



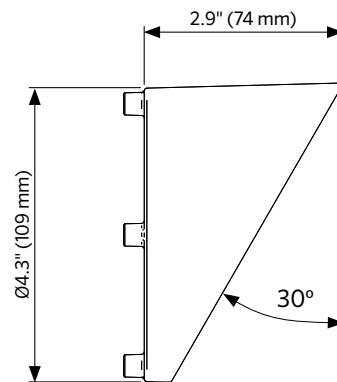
Specification Matrix

LS6104 -

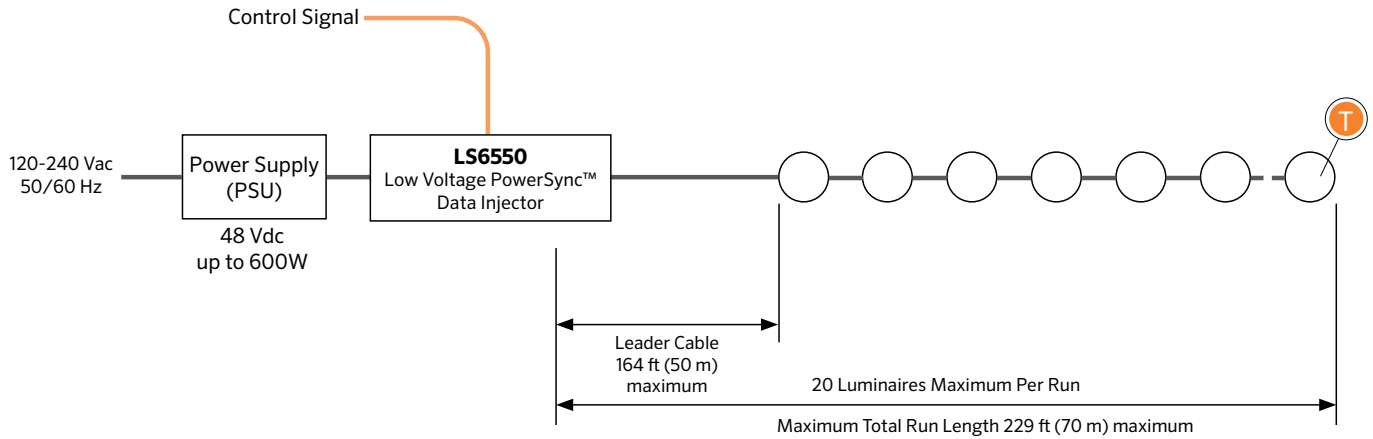
Finish	Code
Black	BL
Anthracite Grey	AG
Basalt Grey	BT
Anodic Silver	SL
White	WT
Dark Bronze	DB
Latte	LT
Dark Aluminum	DA
Custom RAL	CC <sup>1</sup>

<sup>1</sup>Please provide RAL colour.

Technical Drawings



Network Topology – PowerSync™ Low Voltage



- T Terminator**  
Use PowerSync™ terminator, supplied with leader cable to terminate last luminaire in chain.
- I Maximum Current**  
Maximum current through cables and connectors supplied by Lumascope:  
≤12.8 A - Installations in North American Market (UL, ETL)  
≤16 A - Installations in International Market (CE, CCC)
- Connection Type**  
Circuits can be configured as either connectorized or hardwired. For details refer to installation instructions and comply with local electrical codes.

Up to 20 luminaires per 48 V PowerSync™ Circuit (LS6550)

Maximum Circuit Loading - Single Run						
LED Power	Max Leader Cable Length from LS6550 to first fitting	Maximum number of luminaires / 48V Power Supply				
		120W	240W	320W	480W	600W
20W	15m / 50ft	4	8	11	15	18
	30m / 98ft	3	7	10	14	15
	50m / 164ft	3	7	9	11	14

Values in the above table show the maximum circuit loading per 48 V circuit. Values are based on 4.0 ft (1.2 m) spacing. Smaller spacing may effect the circuit loading. Extended fixture cables, inclusion of jumper cables, or longer leader cable will effect loading. Contact Lumascope for more details. Circuits can be made up of up to 20 fixtures, up to the maximum circuit loading in the table above. Circuits are limited to maximum 12.8 A. For non-continuous runs, contact Lumascope for more information.