



**Seamless. Durable. Precise.**

Dune is a compact architectural spotlight designed for projects where form, precision, and durability all matter. Delivering up to 1,240 lumens (13 W International) or 1,010 lumens (10 W North America) it provides serious performance in an engineered architectural form designed for enduring performance.

Available in five standard CCTs from 2200K warm white through to 4000K cool white, including 90 CRI options, Dune offers flexibility in tonal warmth and enhanced color fidelity across architectural and landscape applications.

The seamless housing integrates glare control directly into the body, removing the need for add-on visors or snoots and maintaining a consistent profile across the site. Available in solid brass for exceptional corrosion resistance, or powder-coated aluminium finishes with a marine-grade epoxy undercoat, Dune is built for long-term exterior use without visual compromise.

A comprehensive range of eleven beam distributions — including five symmetrical beams from a very narrow 12° to a wide 50°, four elliptical options, plus Wall Wash Soft and Wall Wash Pro distributions engineered for high-performance vertical illumination and superior façade uniformity — enables precise lighting outcomes from planting accents to controlled façade grazing and uniform vertical illumination. Installation is straightforward and flexible, with heavy-duty ground anchors, conduit integration, and ½-inch NPT compatibility supporting clean detailing across landscape and architectural environments.



**Performance**

CRI	Static White & Color <sup>1</sup>	Lumen Output (lm)		Efficacy (lm/W)		Peak Intensity (cd)	
		13W	10W	13W	10W	13W	10W
80 CRI	2,200 K	1,020	830	82.0	87.0	16,200	13,600
	2,700 K	1,110	900	89.0	95.0	17,600	14,700
	3,000 K	1,150	980	93.0	102.0	18,300	15,900
	3,500 K	1,150	940	93.0	99.0	18,300	15,300
	4,000 K	1,240	1,010	100.0	106.0	19,700	16,500
90 CRI	2,200 K	850	690	68.0	72.0	13,500	11,300
	2,700 K	930	760	75.0	80.0	14,800	12,400
	3,000 K	980	800	79.0	84.0	15,500	13,000
	3,500 K	1,020	830	82.0	87.0	16,200	13,600
	4,000 K	1,020	830	82.0	87.0	16,200	13,600

<sup>1</sup> Lumen output values are based on a 12° lens

**Beam Angles** 12°, 15°, 25°, 35°, 50°, 10° x 40°, 40° x 10°, 20° x 60°, 60° x 20°, Wall Wash

! Other LED colours and CRIs available on request. Contact Lumascope for options.



Products and specifications are subject to change without notice.  
LS2222\_260501

### Electrical

<b>Power Consumption</b>	International: 13 W   10 W North America: 10 W
<b>Lifetime</b>	128,096 hours @ 25°C (B10, L90, TM21 Projected) 98,724 hours @ 50°C (B10, L90, TM21 Projected)
<b>Input Voltage</b>	International: 220-240 V AC, 50/60 Hz North America: 120 V AC, 60 Hz Low Voltage: 24 V DC
<b>Thermal Management</b>	Integrated thermal protection

### Control

<b>Protocols</b>	DALI 2® (International), Non-Dimmable
------------------	---------------------------------------

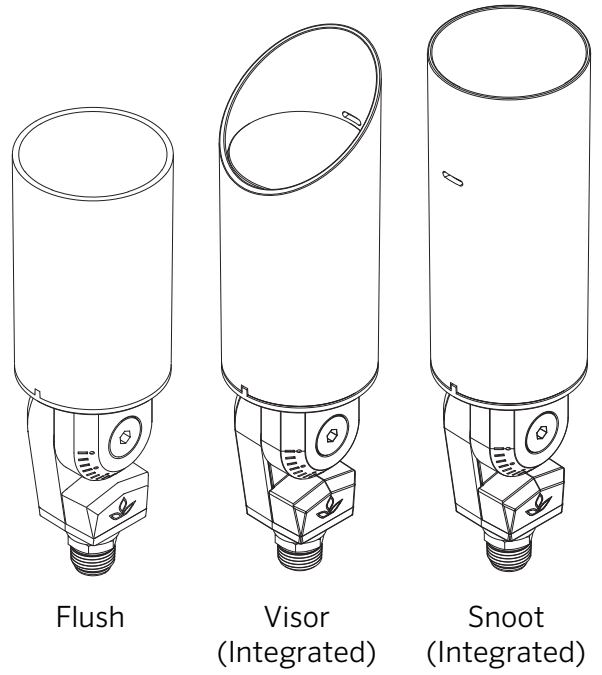
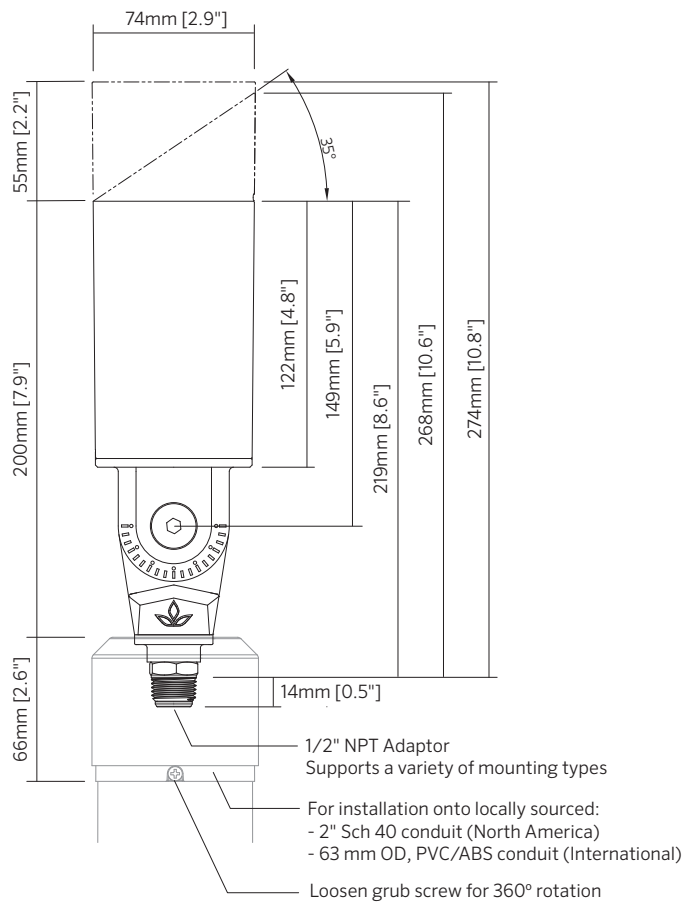
### Physical

<b>Housing</b>	Marine-grade aluminum or brass, tempered glass lens
<b>Finish</b>	Superior 9-step powder-coating process, including marine-grade epoxy undercoat polyester top coat for aluminum or solid brass with a tumbled finish.
<b>Installation</b>	1/2" NPT Connector   Conduit Mount   Ground Anchor
<b>Adjustable</b>	±100° tilt   360° rotation (Anchor mount only)
<b>Ambient Operating Temperature</b>	-40°F to 122°F (-40°C to 50°C)
<b>Surface Temperature</b>	≤122°F (50°C) @ 77°F (25°C)
<b>Weight</b>	Brass 6.2 lb (2.4 kg) Aluminum 1.8 lb (0.8 kg)
<b>Effective Projected Area</b>	0.02 m <sup>2</sup> (0.19 ft <sup>2</sup> )

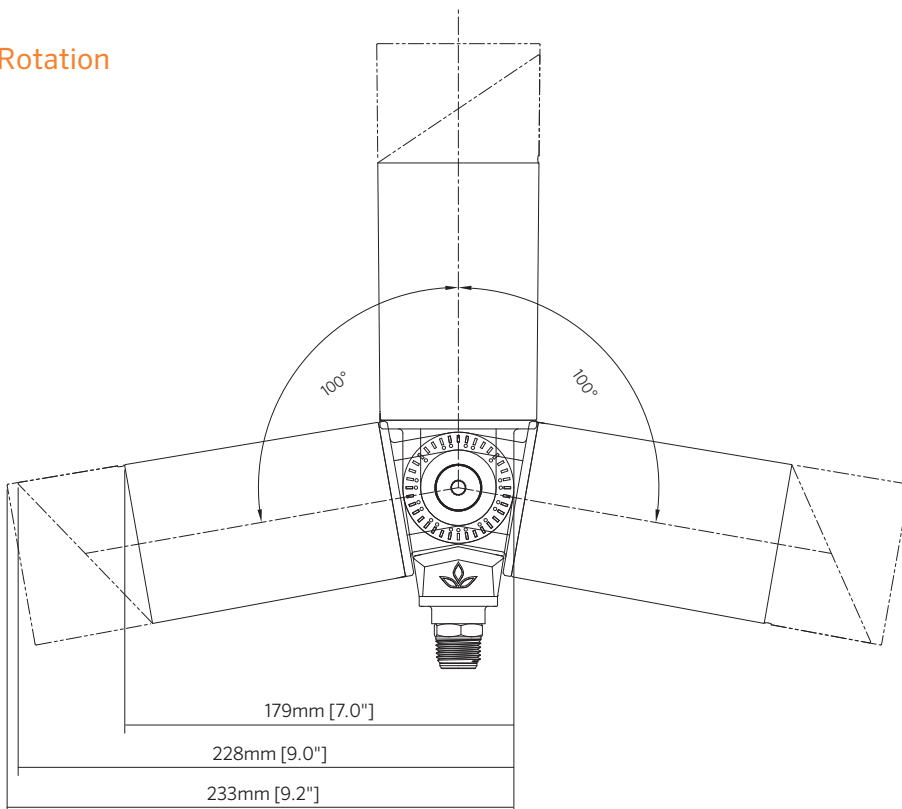
### Certification & Compliance

<b>IP Rating</b>	IP66 / IP67 (Passes IP68 Tests)
<b>IK Rating</b>	IK7
<b>Environment</b>	Dry, Damp, Wet locations
<b>Certifications</b>	UL, CE, RCM

Dimensions

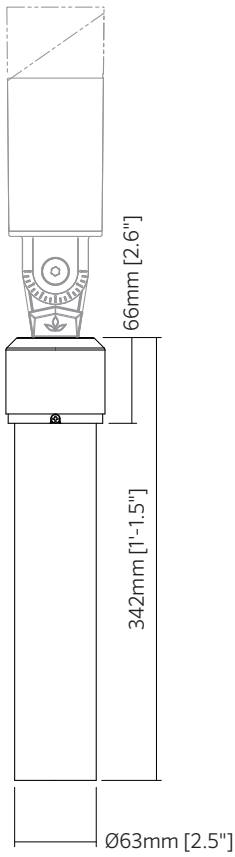


Rotation

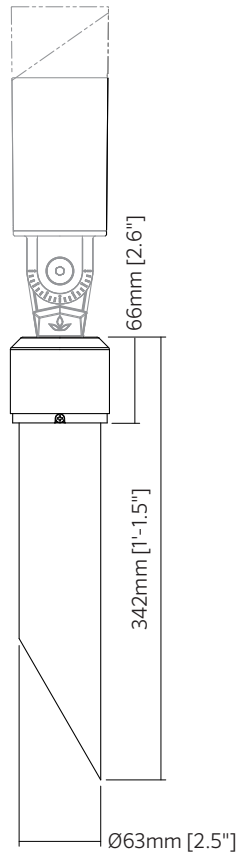


Mounting Types & Dimensions

Cap Flat Cut Anchor Type (G & K)

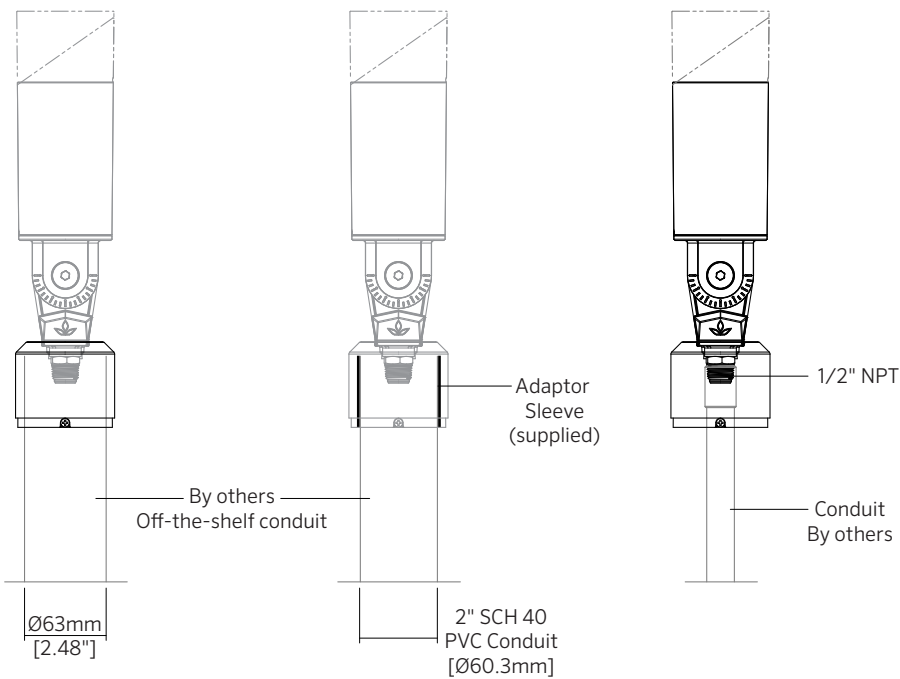


Cap & Pointed Anchor Type (H & L)

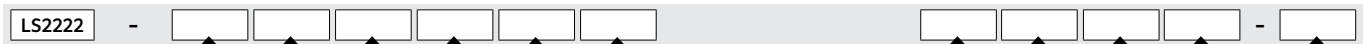


Cap Only, No Anchor - Type (J & M)

*Pipe / Conduit by others*



Specification Matrix



Power	Code
10 W	10D
13 W	13D

Static White	Code
2,200 K (80 CRI)	822
2,700 K (80 CRI)	827
3,000 K (80 CRI)	830
3,500 K (80 CRI)	835
4,000 K (80 CRI)	840
2,200 K (90 CRI)	922
2,700 K (90 CRI)	927
3,000 K (90 CRI)	930
3,500 K (90 CRI)	935
4,000 K (90 CRI)	940

! Other LED colours and CRIs available on request. Contact Lumascape for options.

Connection Type	Code
Flexible cable, single entry, for hardwired installations	84 <sup>1</sup>
Hookup wire and 1/2" NPT, single entry, for hard wired installations	82 <sup>2</sup>

<sup>1</sup> Not available in North America.  
<sup>2</sup> Available in North America only.

Beam Angles	Code
12°	VN
15°	NR
25°	NM
35°	ME
50°	WD
10° x 40°	NH
40° x 10°	NV
20° x 60°	WH
60° x 20°	WV
Wall Wash Pro	WP
Wall Wash Soft	WS

Internal Accessory	Code
Louwer	L
No Accessory	N

Mounting	Code
1/2" NPT Connector	T
Color Matched Cap, No Anchor	J <sup>1</sup>
Color Matched Cap, Pointed Anchor	H
Color Matched Cap, Flat Cut Anchor	G
Standard Cap, No Anchor	M <sup>1</sup>
Standard Cap, Pointed Anchor	L
Standard Cap, Flat Cut Anchor	K

<sup>1</sup> For installation onto locally sourced:  
 - 2" Sch 40 conduit (North America)  
 - 50 mm PVC/ABS conduit, 63 mm OD (International)

Housing	Code
Flush	1
Visor	2
Snoot	3

Input Voltage	Code
24 V DC (International)	07
24 V DC (North America)	13
120 V AC, 60 Hz (North America)	04
220-240 V AC, 50/60 Hz (International)	01

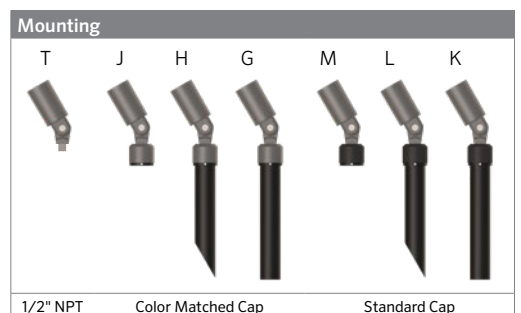
Control	Code
Non-Dimmable	ND
DALI (International)	DL <sup>1</sup>

<sup>1</sup> Only for Input Voltage Code 01

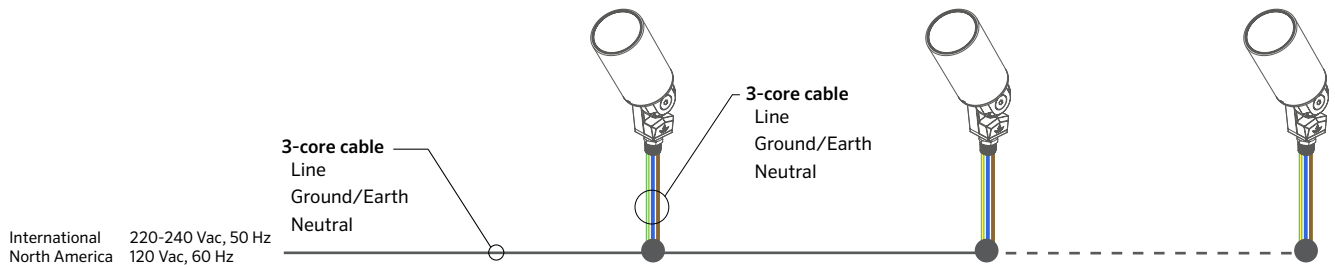
Finish	Code
Tumbled Brass	TB
Black	BL
Anthracite Gray	AG
Basalt Gray	BT
Graphite Gray	GH
Anodic Silver	SL
White	WT
Dark Bronze	DB
Latte	LT
Dark Aluminum	DA
Custom RAL	CC <sup>1</sup>

<sup>1</sup>RAL color required

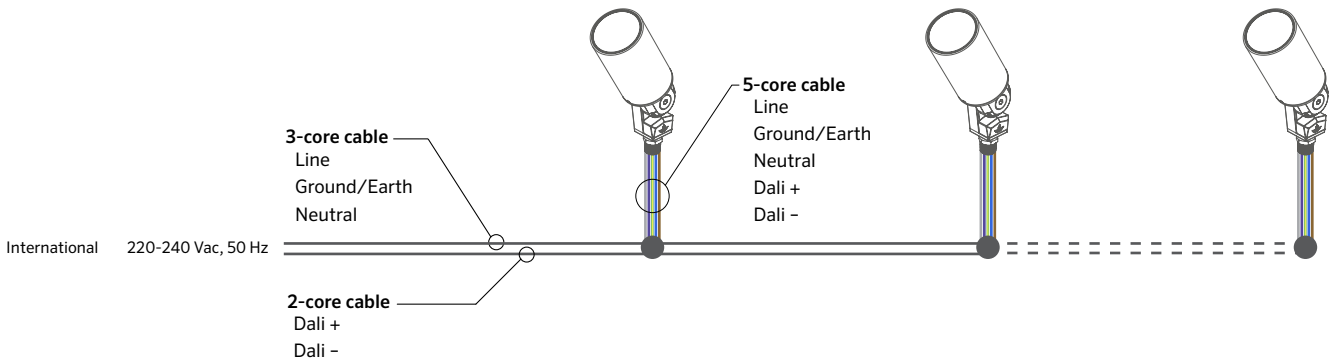
Cable Length	Code
2' (0.6m)	002
6' (1.8m)	006
16' (5.0m)	016
32' (10.0m)	032



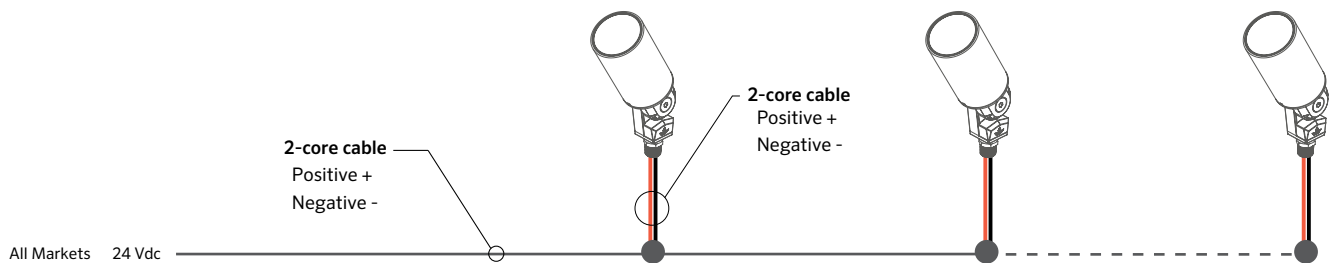
Network Topology - Line Voltage 220 to 240 Vac, 120 Vac Non-Dimmable



Network Topology - Line Voltage 220 to 240 Vac DALI



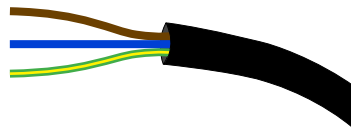
Network Topology - Low Voltage 24 Vdc, Non-Dimmable



Luminaire Wire Colors & Designations

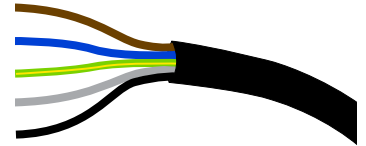
Non-Dimmable Line Voltage 220-240 Vac - International

Designation	Color
Line	Brown
Neutral	Blue
Ground/Earth	Green / Yellow



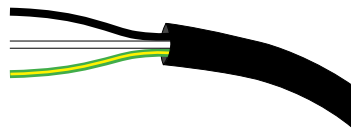
DALI Line Voltage 220-240 Vac - International

Designation	Color
Line	Brown
Neutral	Blue
Ground/Earth	Green / Yellow
DALI +	Grey
DALI -	Black



Non-Dimmable Line Voltage 120 Vac - North America

Designation	Color
Line	Black
Neutral	White
Ground/Earth	Green / Yellow



Low Voltage 24 Vdc

Designation	Color
Positive	Red
Negative	Black

