



The Kololux K6 is a large, high-powered, architectural-grade projector featuring Lumascope's patented Kompass technology that provides the ability to rotate elliptical beams through 360°. Helping to illuminate angled and curved architectural features, sculptural objects and organic natural elements with ease, the technology also provides flexibility in difficult mounting applications enabling the fitting to be mounted on uneven and angled surfaces while providing vertical or horizontal illumination.

Packed with additional features including EasyGlow™ visual comfort, CoolDrive™ and thermal management technologies.

Up to 688,400 Candela

Performance

Static White & Color ¹	Lumen Output (lm)	Efficacy (lm/W)	Peak Intensity (cd)
■ 2,700 K (80 CRI)	6,600	94	115,000
■ 3,000 K (80 CRI)	7,160	102	124,700
□ 3,500 K (80 CRI)	7,160	102	124,700
■ 4,000 K (80 CRI)	7,440	106	129,600
■ 5,000 K (70 CRI)	7,440	106	129,600

¹ Lumen output values are based on a 10° lens

4.5° Beam Angle (VN Option)

Static White & Color ¹	Lumen Output (lm)	Efficacy (lm/W)	Peak Intensity (cd)
■ 2,700 K (80 CRI)	6,260	81	610,400
■ 3,000 K (80 CRI)	6,790	87	662,400
□ 3,500 K (80 CRI)	6,790	87	662,400
■ 4,000 K (80 CRI)	7,060	91	688,400
■ 5,000 K (70 CRI)	7,060	86	688,400

¹ Lumen output values are based on a 4.5° lens

Beam Angles	4.5°, 5°, 10°, 15°, 30°, 45°, 65°, 40° x 10°, 60° x 10°, 40° x 20°, 60° x 20°
--------------------	---

! Other LED colours and CRIs available on request. Contact Lumascope for options.



Products and specifications are subject to change without notice.
LS9362_260512

Electrical

Power Consumption	< 77 W	
Lifetime	>86,935 hrs @122°F (50°C) ambient (B10, L90, TM21 Projected)	
Input Voltage	International	220-240 Vac, 50/60 Hz
	North America	120/277 Vac, 60 Hz
	Low Voltage	30-48 Vdc
Thermal Management	CoolDrive™ onboard thermal monitoring and control	

Control

Protocols	DALI® (International), 0 to 10V (North America), Non-Dimmable	
------------------	---	--

Physical

Housing	Marine-grade die-cast aluminum, tempered glass lens, isolated stainless steel fasteners, adjustable mounting yoke (lockable) with mounting surface galvanic isolator	
Finish	Superior 9-step powder-coating process, including marine-grade epoxy undercoat and polyester top-coat	
Installation	Surface-mounted with included galvanic isolator	
Adjustable	Adjustable mounting yoke	
Ambient Operating Temperature	-40°F to 122°F (-40°C to 50°C)	
Effective Projected Area	1.2 ft² (0.1 m²)	
Weight	22.9 lb (10.4 kg)	

Certification & Compliance

IP Rating	IP66 / IP67 (Passes IP68 test)	
IK Rating	IK10	
Vibration Resistance	3G Rating (ANSI C136.31) <i>With optional 3G Bracket</i>	
Environment	Dry, Damp, Wet locations	
Certifications	UL, CE, RCM, FCC	

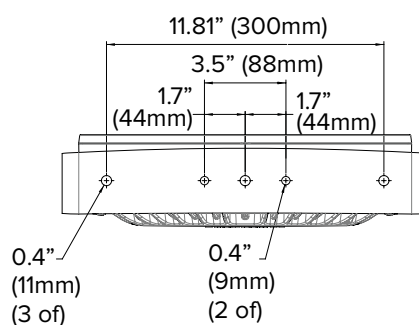
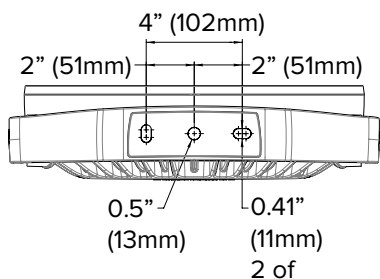
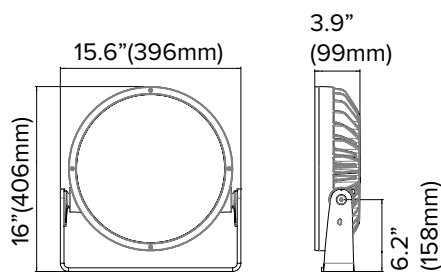
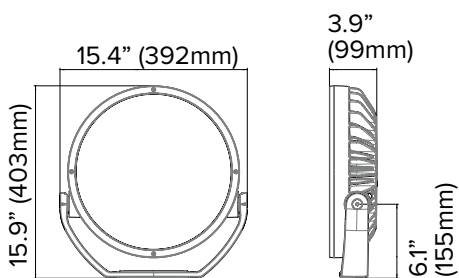
Elliptical Beam Adjustment



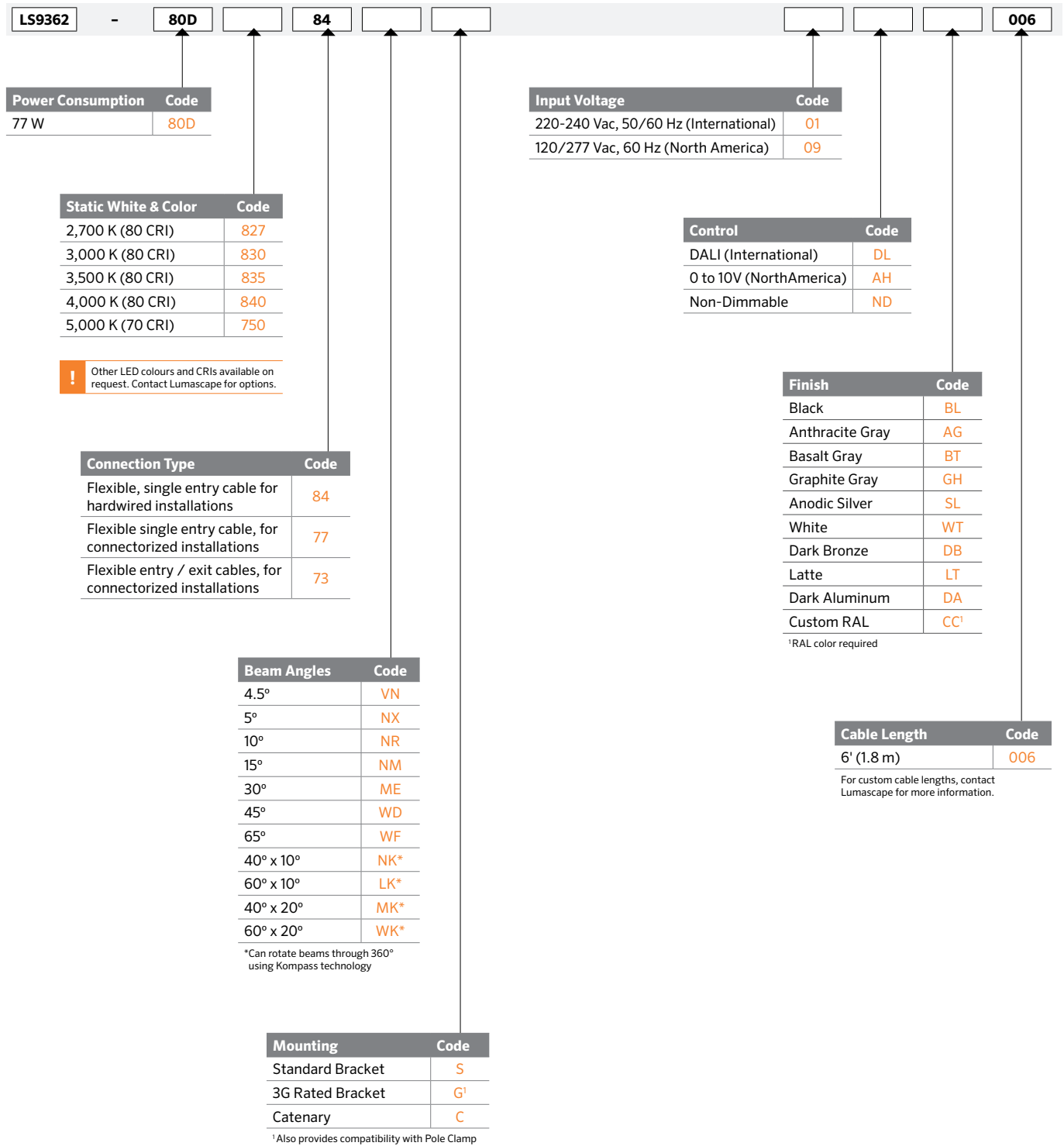
Dimensions

K6 with standard bracket

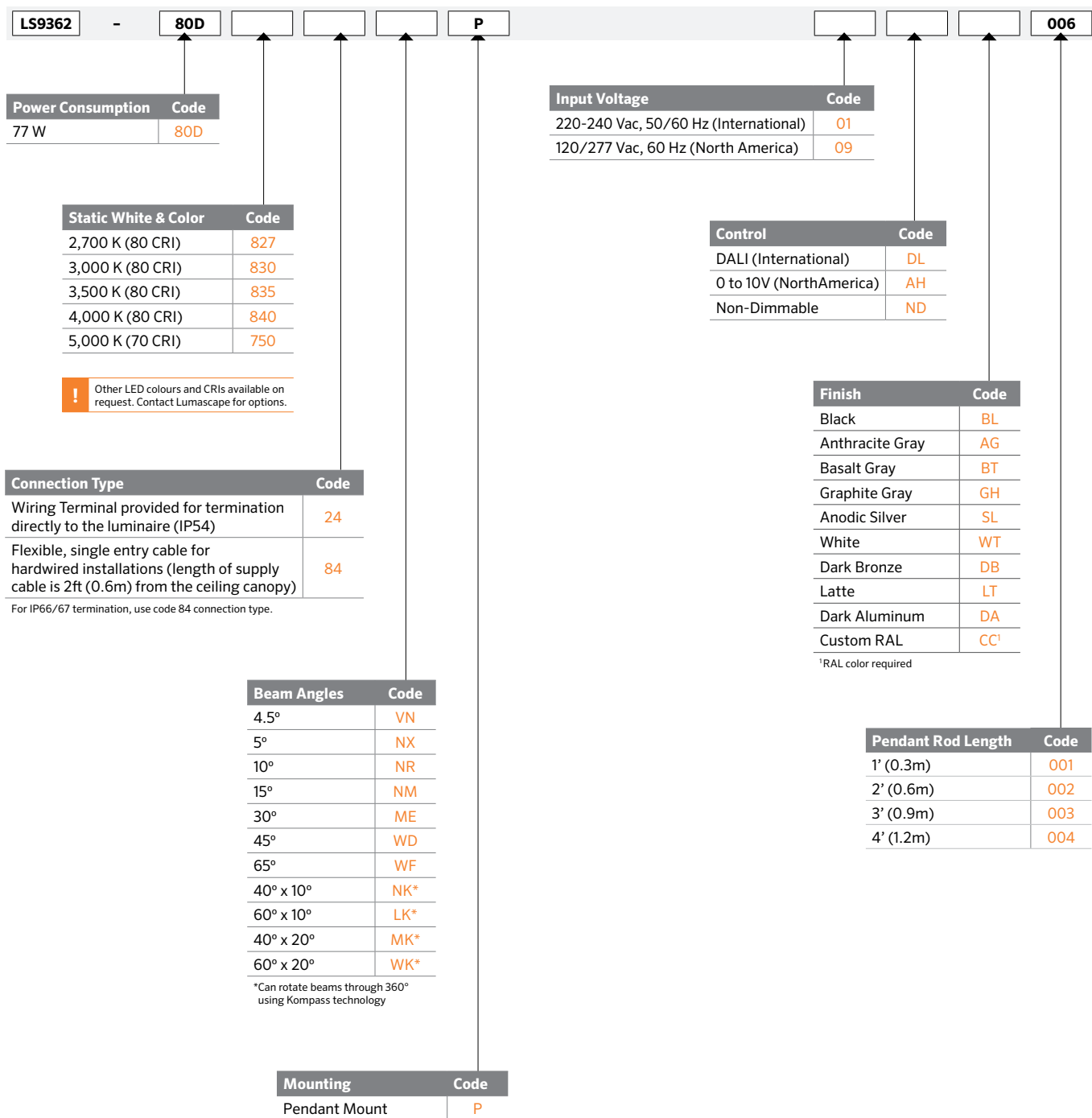
K6 with 3G bracket



Projector Specification Matrix



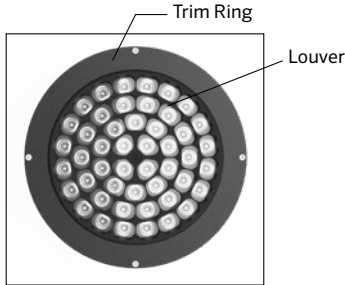
Pendant Specification Matrix



Accessories

Shielding & Glare Control

A range of shielding and glare control accessories are available to suit the Kololux K6 Spotlight.



LS6252 Cross Hatch Louvre

Provides additional glare control. Can be used with LS6253 (30° Visor) or LS6254 (Snoot). Louver is available in black only, trim ring is available in standard finishes.

NOTE: The Cross Hatch Louver cannot be used with a VN (4.5°) beam configuration.

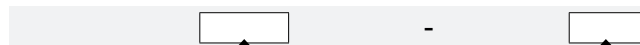


LS6253 30° Visor
Provides additional beam control and shielding.

LS6254 Snoot
Provides additional glare control.

*LS6253 30° Visor & LS6254 Snoot are mutually exclusive and cannot be stacked.

Specification Matrix



Louver Length	Code
Snoot	LS6254
30° Visor	LS6253
Cross Hatch Louver	LS6252 ¹

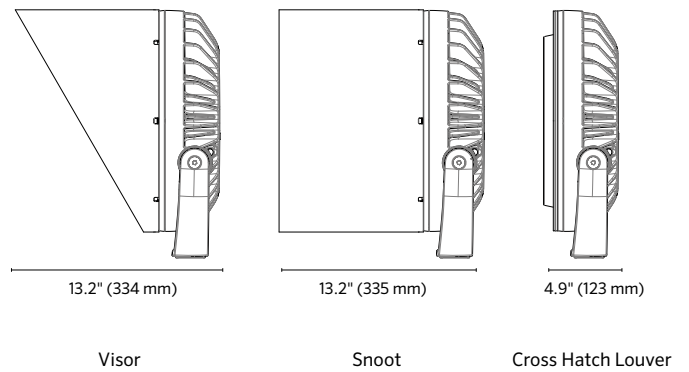
Custom Visors are available on request. Contact Lumascape for more information.

¹Not compatible with VN (4.5°) beam configuration.

Finish	Code
Black	BL
Anthracite Gray	AG
Basalt Gray	BT
Graphite Gray	GH
Anodic Silver	SL
White	WT
Dark Bronze	DB
Latte	LT
Dark Aluminum	DA
Custom RAL	CC ¹

¹RAL color required

Technical Drawings



Pendant Mount



Pendant Mount with
Cross Hatch Louvre
(LS6252)

Pendant Mount Available in 1' (0.3m), 2' (0.6m), 3' (0.9m) and 4' (1.2m) rod lengths.

Catenary Wire Mount

Wire Diameter
1mm - 6mm
[3/64" - 15/64"]



Catenary Wire Mount

Mounting Accessories



Pole Clamp (3G bracket must be used when using this mounting option)
 Provides an easy method of installing the fixture onto a pole, while retaining fill aiming and adjustability. Available in 3.0" (76 mm), 4.0" (102 mm), 4.5" (114 mm) and 5.0" (127 mm) options.
 LS6317, LS6318, LS6319, LS6320

NOTE:

3G Bracket MUST be used when using this mounting option

Specification Matrix

		-		
		↑	↑	
Mounting Accessories		Code	Finish	
3.0" (76 mm) Pole Clamp		LS6317	Black	BL
4.0" (102 mm) Pole Clamp		LS6318	Anthracite Gray	AG
4.5" (114 mm) Pole Clamp		LS6319	Basalt Gray	BT
5.0" (127 mm) Pole Clamp		LS6320	Graphite Gray	GH
			Anodic Silver	SL
			White	WT
			Dark Bronze	DB
			Latte	LT
			Dark Aluminum	DA
			Custom RAL	CC ¹

Luminaire must be ordered with a 3G rated bracket.

¹RAL color required



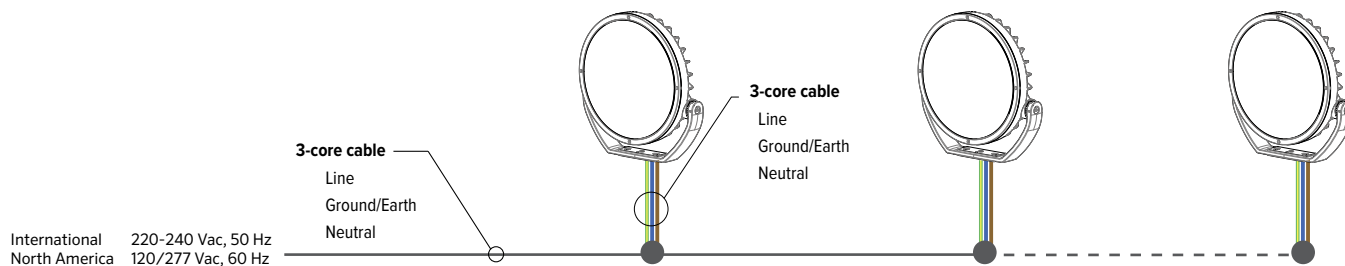
Wall/Pole Arm Minimum 3.0" (76 mm) to maximum pole or wall.
 LS6258

Specification Matrix

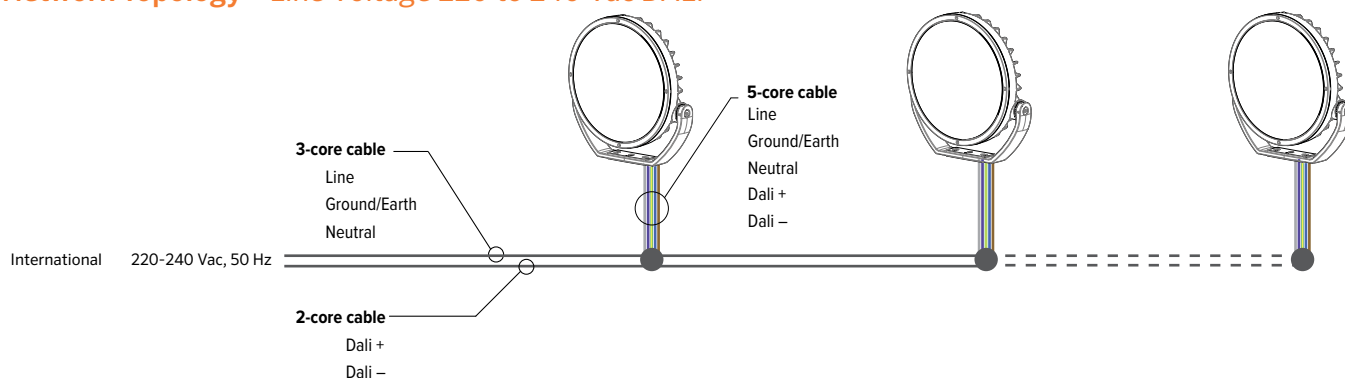
		-				
		↑	↑		↑	
Mounting Accessories		Code	Model		Finish	
Minimum 3.0" (76 mm) to maximum pole or wall. Pole/Wall mount arm		LS6258	K6 with standard bracket	S	Black	BL
			K8 with standard bracket	8	Anthracite Gray	AG
			K6/K8 with 3G rated bracket	G	Basalt Gray	BT
					Graphite Gray	GH
					Anodic Silver	SL
					White	WT
					Dark Bronze	DB
					Latte	LT
					Dark Aluminum	DA
					Custom RAL	CC ¹

¹RAL color required

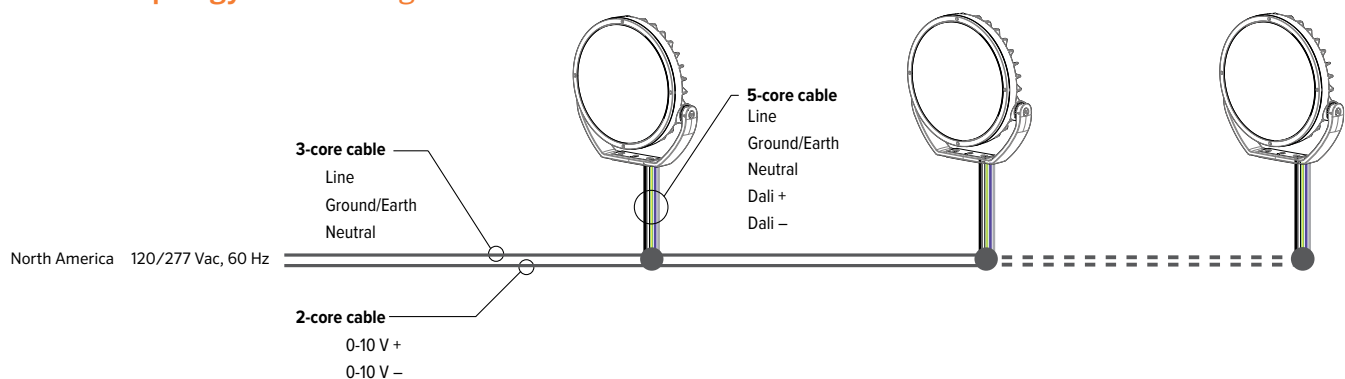
Network Topology - Line Voltage 220 to 240 Vac, 120/277 Vac Non-Dimmable



Network Topology - Line Voltage 220 to 240 Vac DALI



Network Topology - Line Voltage 120/277 Vac 0 to 10 V




Connectorized Accessories - Line Voltage 220 to 240 Vac

Leader Cables - Line Voltage 220 to 240 Vac (For Connection Type 77 Only)

1.5 mm² or 2.5mm² for use in CE/CCC installations. Compatible with all luminaires with Type 77 connectorized supply cable options. Supplied fitted with an IP68 connector for pairing with the first connectorized luminaire in a Line Voltage circuit. Comes complete with a matching End of Circuit Terminator Plug.

Not suitable for use in North America




Cable Type	Code	Cable Type	Code	Length	Code
1.5 mm ²	LS6402C	Non-Dimmable (4-core cable)	ND	6' (2 m)	006
2.5 mm ²	LS6402C-2.5	DALI (5-core cable)	DL ¹	10' (3 m)	010
				32' (10 m)	032
				50' (15 m)	050

¹ Available in 1.5 mm² cable only

Jumper Cables - Line Voltage 220 to 240 Vac (For Connection Type 77 Only)

1.5 mm² or 2.5mm² for use in CE/CCC installations. Compatible with all luminaires with 77 connectorized supply cable options. Supplied fitted with an IP68 connector for pairing with the first connectorized luminaire in a Line Voltage circuit.

Not suitable for use in North America



Cable Type	Code	Cable Type	Code	Length	Code
1.5 mm ²	LS6404C	Non-Dimmable (4-core cable)	ND	1' (0.3 m)	001
2.5 mm ²	LS6404C-2.5	DALI (5-core cable)	DL ¹	2' (0.6 m)	002
				3' (1 m)	003
				4' (1.2 m)	004
				6' (2 m)	006
				10' (3 m)	010
				16' (5 m)	016
				26' (26 m)	026
				32' (10 m)	032
				50' (15 m)	050


¹ Available in 1.5 mm² cable only

Connectorized Accessories - Line Voltage 120/277 Vac

Leader Cables - Line Voltage 120/277 Vac (For Connection Type 77 Only)

14 AWG cable for use in UL installations. Compatible with all luminaires with Type 77 connectorized supply cable options. Supplied fitted with an IP68 connector for pairing with the first connectorized luminaire in a Line Voltage circuit. Comes complete with a matching End of Circuit Terminator Plug.

For use in North America ONLY




Cable Type	Code	Cable Type	Code	Length	Code
14 AWG	LS6402U	Non-Dimmable (4-core cable)	ND	6' (2 m)	006
		0-10 V (5-core cable)	AH	10' (3 m)	010
				32' (10 m)	032
				50' (15 m)	050

Jumper Cables - Line Voltage 120/277 Vac (For Connection Type 77 Only)

14 AWG for use in UL installations. Compatible with all Luminaires with Type 73 or 77 connectorized supply cable options. Supplied fitted with an IP68 connector for pairing with the first connectorized luminaire in a Line Voltage circuit.

For use in North America ONLY

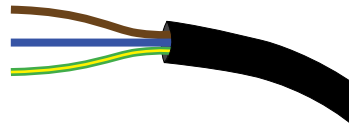


Cable Type	Code	Cable Type	Code	Length	Code
14 AWG	LS6404U	Non-Dimmable (4-core cable)	ND	1' (0.3 m)	001
		0-10 V (5-core cable)	AH	2' (0.6 m)	002
				3' (1 m)	003
				4' (1.2 m)	004
				6' (2 m)	006
				10' (3 m)	010
				16' (5 m)	016
				26' (26 m)	026
				32' (10 m)	032
				50' (15 m)	050

Luminaire Wire Colors & Designations

Non-Dimmable Line Voltage 220-240 Vac - International

Designation	Color
Line	Brown
Neutral	Blue
Ground/Earth	Green / Yellow



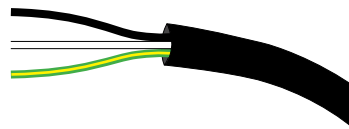
DALI Line Voltage 220-240 Vac - International

Designation	Color
Line	Brown
Neutral	Blue
Ground/Earth	Green / Yellow
DALI +	Grey
DALI -	Black



Non-Dimmable Line Voltage 120/277 Vac - North America

Designation	Color
Line	Black
Neutral	White
Ground/Earth	Green / Yellow



0-10 V Line Voltage 120/277 Vac - North America

Designation	Color
Line	Black
Neutral	White
Ground/Earth	Green / Yellow
0-10 V +	Purple
0-10 V -	Pink or Grey

