

LS3080 Direct Burial



Warranty Void if not installed as per installation instructions and in compliance with the local electrical code.

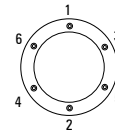
READ ALL SAFETY INSTRUCTIONS FIRST

- › Follow instructions carefully, failure to do so will void warranty.
- › Ensure installation complies with local law and applicable standards.
- › Input voltage range:
 - International: 220-240 V AC 50/60Hz
 - North America: 120/277 V AC 60Hz
 - All Markets: 30-48 VDC
- › Requires Lumascape PowerSync Master for dimming or color changing:
 - LS6540 Mains Voltage
 - LS6550 Low Voltage
- › Never make connections whilst the power is connected.
- › All connections must be kept dry; failure to do so may result in product reliability issues.
- › Ensure mains input power is surge protected.
- › Do not make modifications or alter the product.
- › Keep luminaire clean and free of debris.

General Assembly



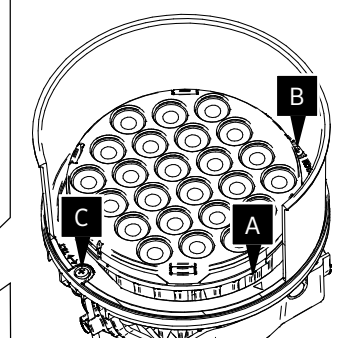
To prevent condensation, ensure luminaire is acclimatized (at same temperature as environment) before installation.



Luminaire Cover
Open to aim luminaire at target, then re-seal luminaire

Cover Screw(s)
Undo to open luminaire. Re-seal using the following torque pattern.

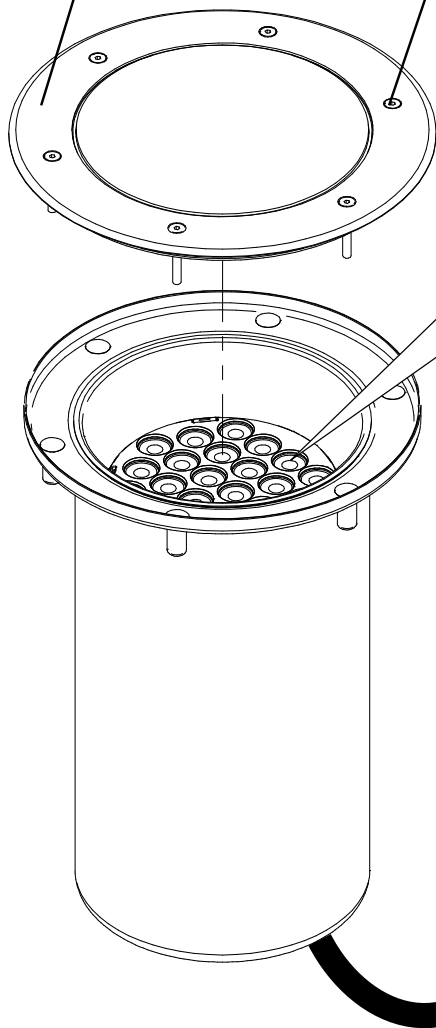
Aiming Luminaire



A Aim Mark
Needs to point into direction of the target to be lit.

B Rotation Lock Screw
Tighten to lock gimbal rotation.

C Tilt Adjustment Screw
Turn to adjust tilt of gimbal.



Luminaire Wires
Refer to last page for conductor color and designation.
Data wire must be appropriately insulated if not connected.
Operating voltage on data wire is 24 V. Incorrect wiring will damage luminaire and void warranty.
Do not Hi-Pot test.
Bootlace ferrules must be used on all wires when connecting in terminal blocks.

Installation Preparation

WARNING

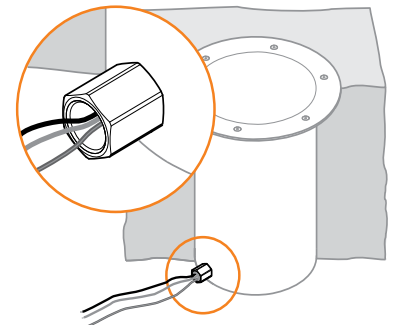
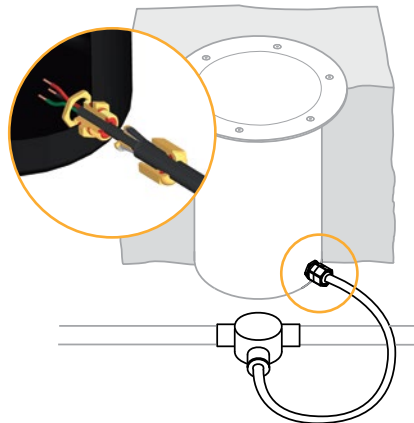
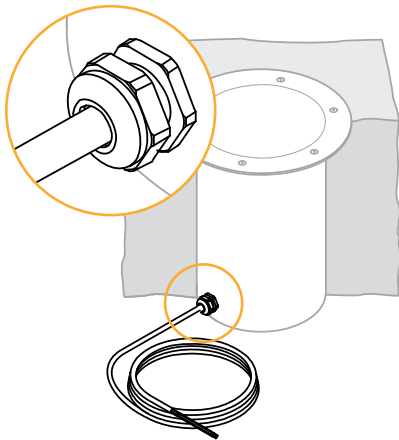
- › The luminaire should only be used complete with its protective shield (cover).
- › Keep electronics free from dirt and moisture.
- › Luminaires can become very hot. Use discretion in placement.
- › No power tools to be used.
- › Do not shorten or interfere with cable assembly.
- › Warranty will be void if cable assembly is tampered with.
- › Do not overtighten lid screws.
- › Do not apply downward force on the lid of luminaire.

Component Overview

Connection Type '84'

Connection Type '81'
Not available in North America

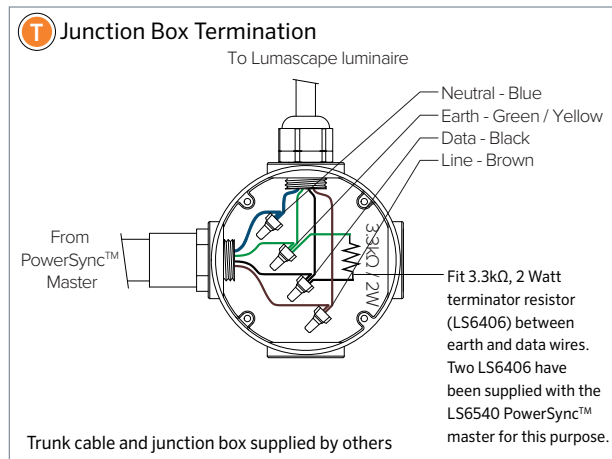
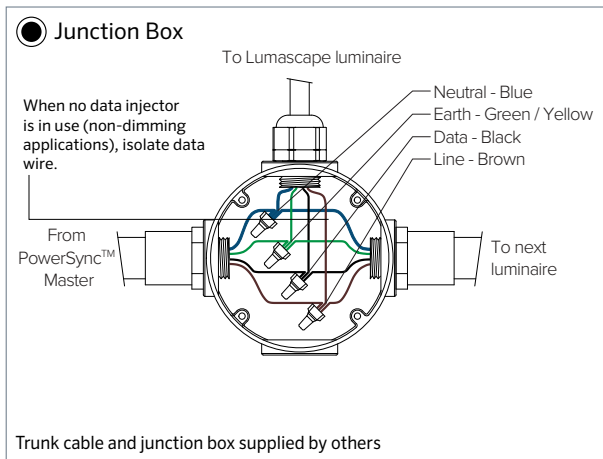
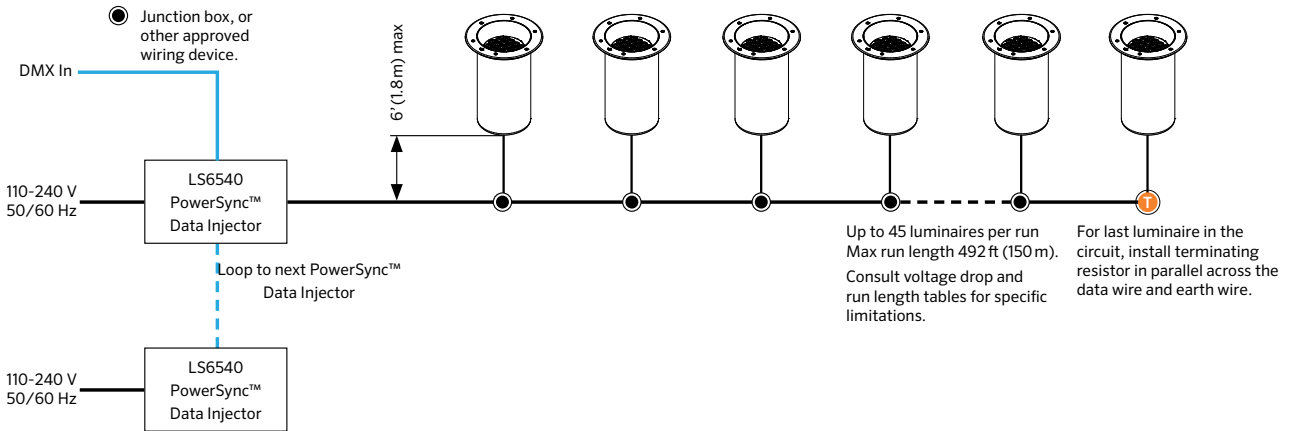
Connection Type '82'
North American market only



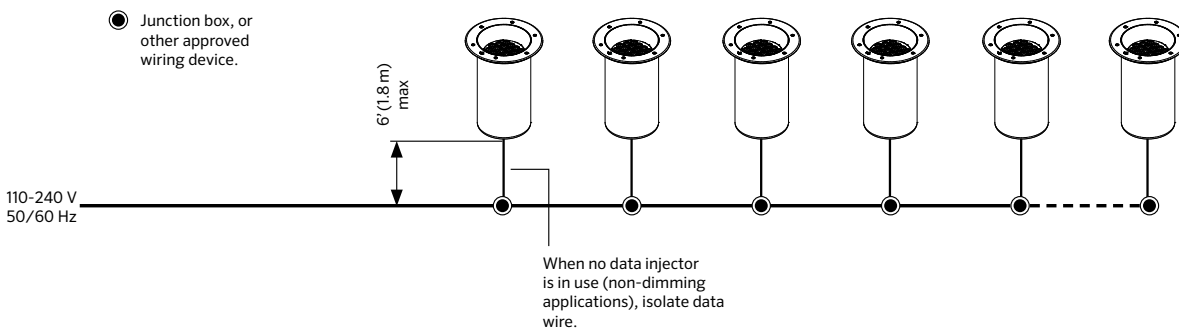
Network Topology

Australia | Asia | Middle East | Europe

LS3080 Dimming - Mains Voltage



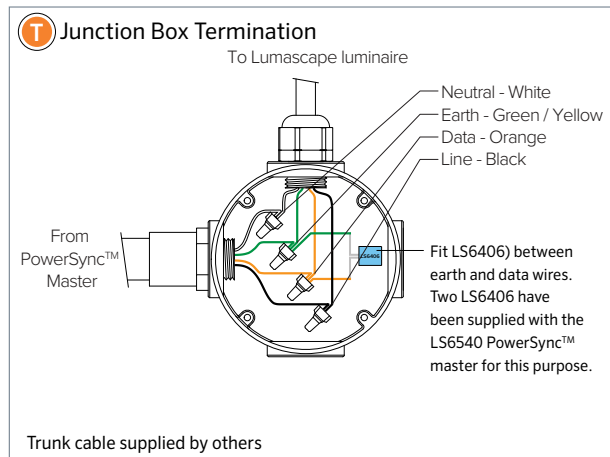
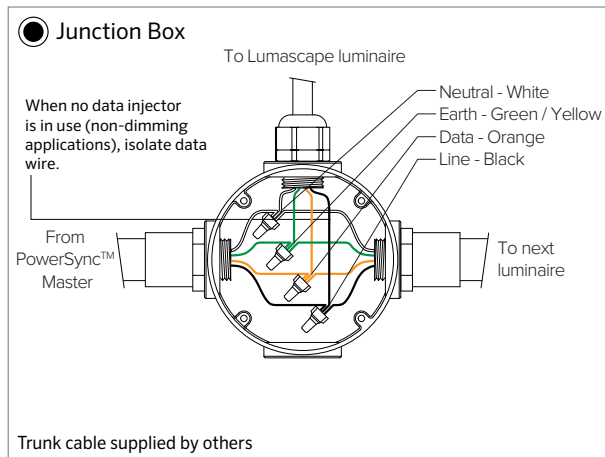
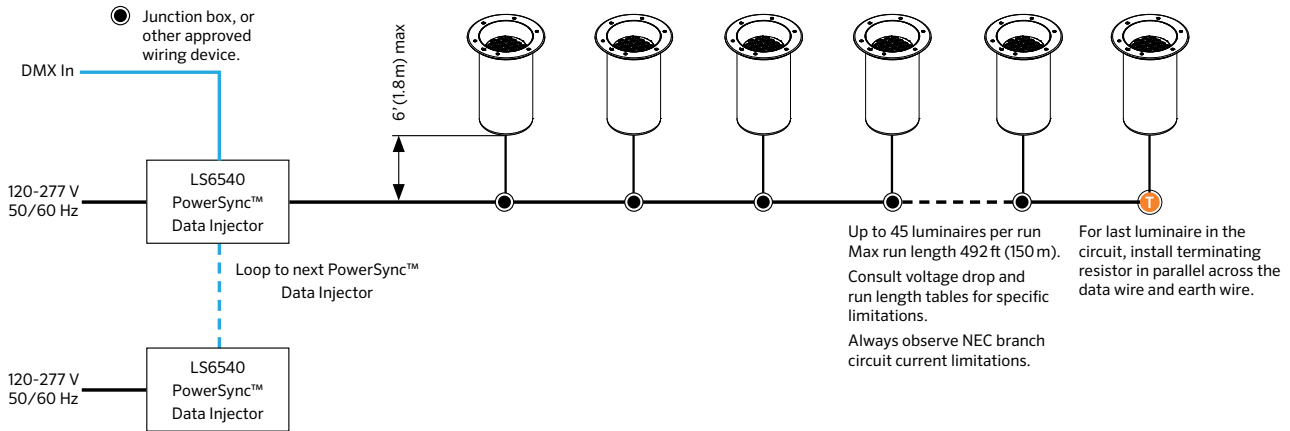
LS3080 Non-Dimming - Mains Voltage



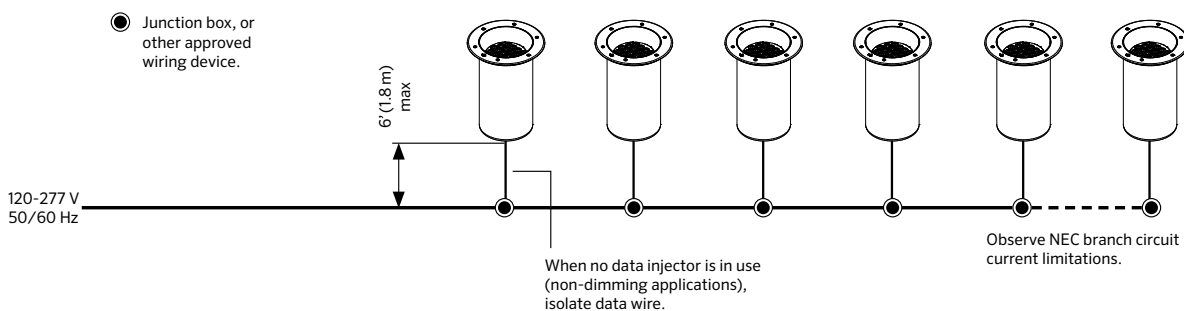
Network Topology

North America

LS3080 Dimming - Mains Voltage



LS3080 Non-Dimming - Mains Voltage

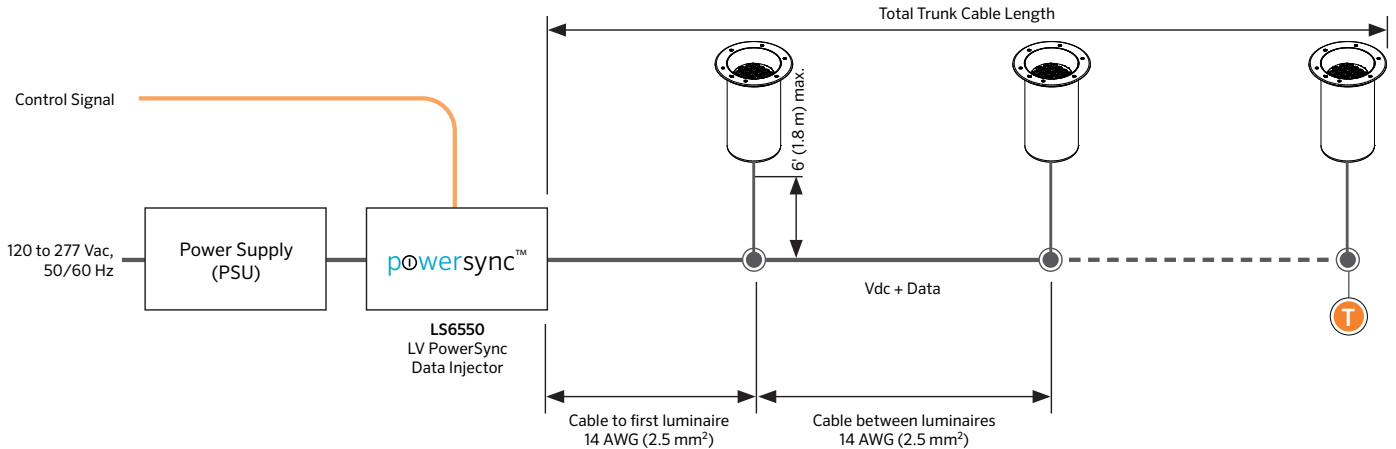


Network Topology

Australia | Asia | Middle East | Europe | North America

LS3080 Dimming - Low Voltage

Circuit Limits - Dimmable and Color-Changing via PowerSync™

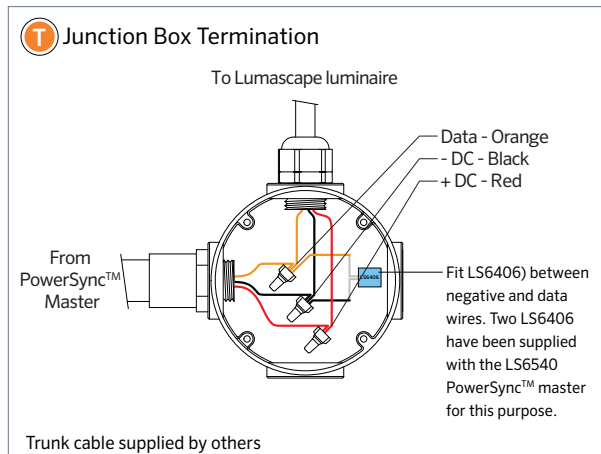
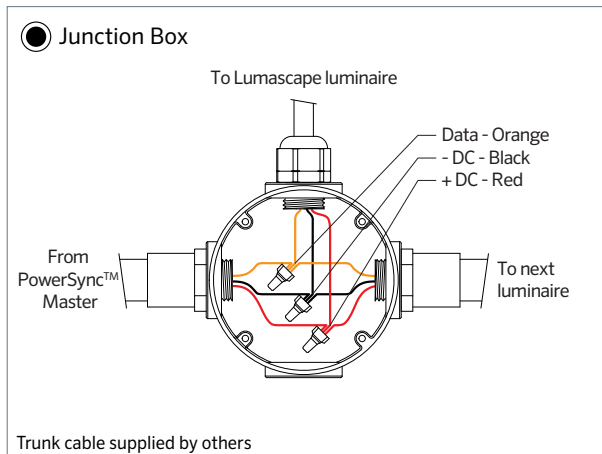


- Refer to "Transformer Compatibility Table", for maximum number of luminaires
- Calculations based on 14 AWG (2.5 mm²) trunk cable, and 16' (5 m) trunk cable between luminaires.
- Always observe local electrical codes for branch circuit current limitations
- For other configurations, contact Lumascape.

Transformer Compatibility Table

Supply Voltage	Luminaire Power	Max. Leader Cable Length from Power Supply to First Luminaire	Maximum Number of Luminaires per Power Supply				
			120 W	240 W	320 W	480 W	600 W
30 Vdc	40 W	50' (15 m)	-	-	-	-	-
		98' (30 m)	-	-	-	-	-
		164' (50 m)	-	-	-	-	-
48 Vdc	40 W	50' (15 m)	-	-	-	-	-
		98' (30 m)	-	-	-	-	-
		164' (50 m)	-	-	-	-	-

T Terminator
 Use PowerSync™ terminator, supplied with PowerSync Injector to terminate last luminaire in chain.



Installation

IP68

Step 1

Connect cable / hookup wire in accordance with local wiring rules.

IMPORTANT: Power supply must be isolated prior to connection or disconnection of cables. Failure to do so will result in damage to the luminaire components.

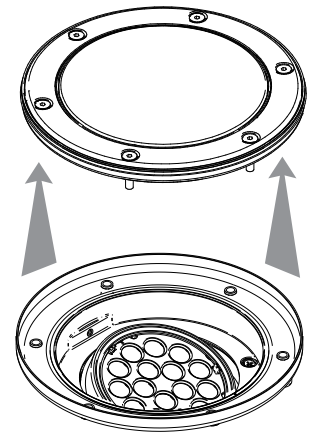
Step 2

To aim luminaire;

Ensure the luminaire is electrically isolated.
 Loosen the screws. If necessary, gently lever lid out with a large screwdriver.

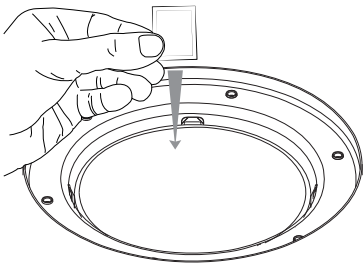
Step 3

Remove lid to expose the gimbal.



Step 4

Ensure that luminaire is acclimatized. Remove moisture sachet from packet supplied with lid assembly, remove gimbal from luminaire body and drop the sachet in the base of luminaire body.

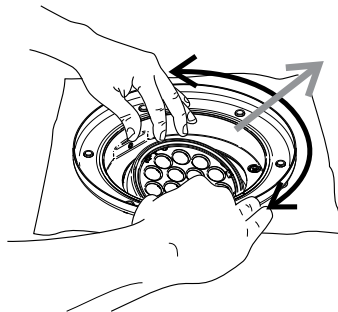


To prevent condensation, ensure luminaire is acclimatized (at same temperature as environment) before installation. Do not remove sachet from sealed packaging at this stage.

Step 5

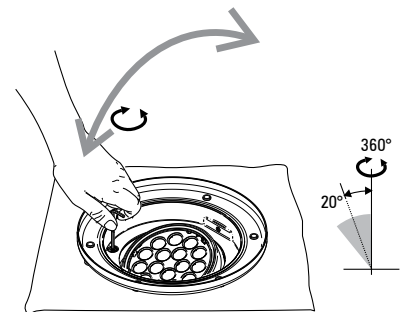
Rotate gimbal until **Aiming Mark** is targeted as desired.

Lock Gimbal. Whilst exerting downward pressure on gimbal, tighten rotational lock grub screw.



Step 6

Adjust gimbal tilt angle by rotating Tilt Adjust screw with Allen key supplied.

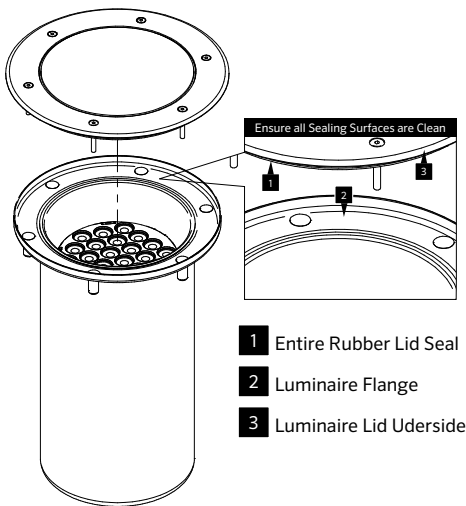


Installation cont...

IP68

Step 7

After aiming luminaire at target, ensure all sealing surfaces are clean free of debris or any foreign matter.

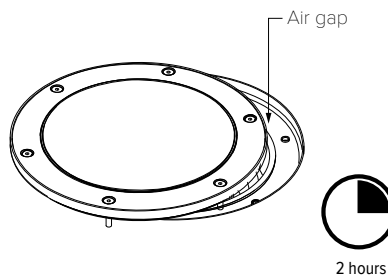


Step 8

Lay lid partially over luminaire to allow a gap for any moisture present to evaporate prior to sealing. Connect to supply and allow to burn for 2 hours.

IMPORTANT: Do not energise without partially covering gimbal.

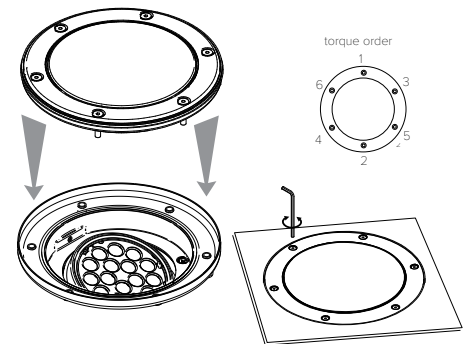
Alternatively, using heat gun set at 100°C, heat the inside of luminaire at a distance of 300mm away for 10 minutes.



Step 9

Seal immediately after de-energising. Ensure seal and sealing surface is clean. Clean glass if necessary. Tighten lid screws using the 3mm allen key supplied. Ensure seal/sealing surface is free from debris. Lumascape recommends tightening using the torque pattern below.

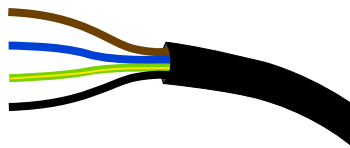
Do not overtighten screws, 3Nm max.



Wire Color & Designation

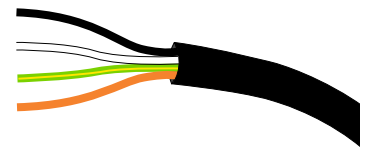
Line Voltage 220-240 Vac - International

Designation	Color
Line	Brown
Neutral	Blue
Ground/Earth	Green / Yellow
Data	Black



Line Voltage 120/277 Vac - North America

Designation	Color
Line	Black
Neutral	White
Ground/Earth	Green / Yellow
Data	Orange



Low Voltage 30-48 Vdc + PowerSync™ - All Markets

Designation	Color
Positive	Red
Negative	Black
Data	Orange

