

The LS422 is a ground mounted luminaire suitable for a wide range of landscape lighting applications. Available with a concrete anchor, the height of the luminaire allows the light head to stand above plantings for an unobstructed cast of light on the target. Choices of lamps, beam angles, light and glare control accessories are available.

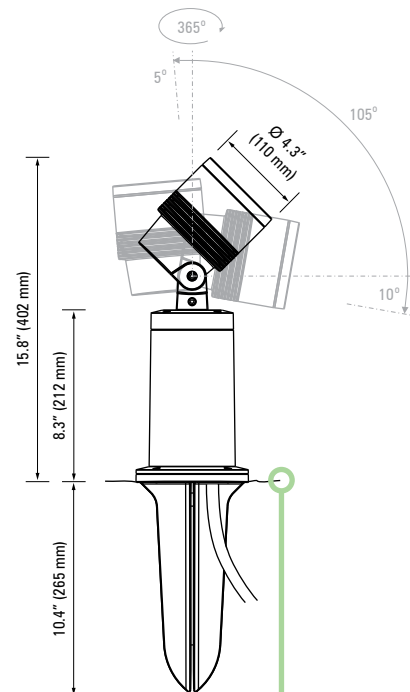
Specifications

Lamp	20 W, 35 W, 70 W MH T4 (G8.5)
IP Rating	IP66 / IP67
Construction	LM20 diecast marine grade powder coated aluminum
Installation Types	Concrete anchor
Standard Inclusion	MicroAntiLeach™ cable entry and 3 m cable
Ambient Operating Temperature	20 W, 35 W -4 °F to 122 °F (-20 °C to +50 °C) 70 W -4 °F to 104 °F (-20 °C to +40 °C)
Accessories <i>Order separately</i>	LS6065 Linear spreader lens LS6066 Prismatic lens LS6067 Concentric louver LS6104 External glare shield
Photometrics	Refer to www.lumascap.com

Any luminaire can become hot - take care with appropriate use and placement



LS422 Centria
Concrete Anchor



NOTE: Base must be flush with ground level. Do not allow soil or material to build up around fixture.

