



LumascapE Lighting Industries Pty Ltd  
 38-44 Enterprise Street, Cleveland, QLD 4163, Australia  
 PO Box 1875, Cleveland D.C., QLD 4163, Australia  
 T 07 3286 2299  
 F 07 3286 6599  
 E sales@lumascapE.com.au  
 W www.lumascapE.com.au

# INSTALLATION INSTRUCTIONS

A.C.N. 0105 72 773

LUMASCAPE

## LS353: Shallow Inground with MicroAntileach™ cable

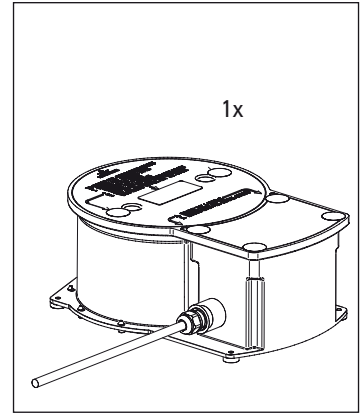
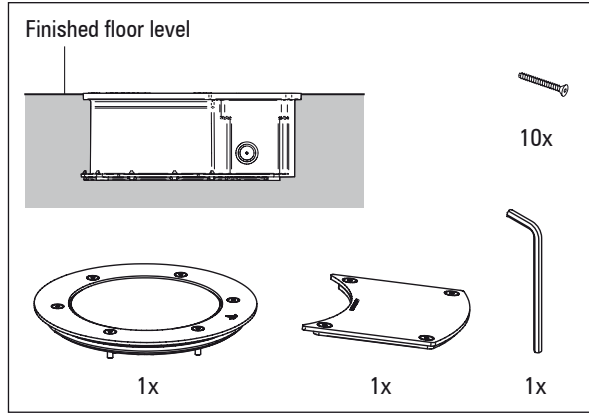
FOR OUTDOOR USE

Warranty voided if not installed as per installation instructions

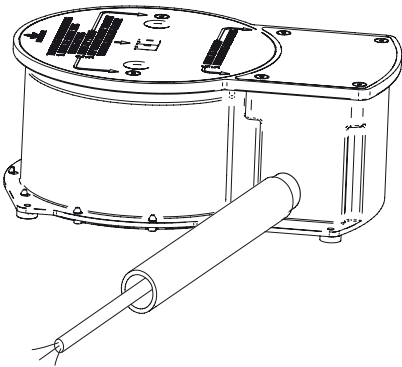
DANGER

**ISOLATE LUMINAIRE FROM POWER**

Failure to isolate power supply before installation or maintenance may result in fire, serious injury, electric shock, death and may damage the luminaire.

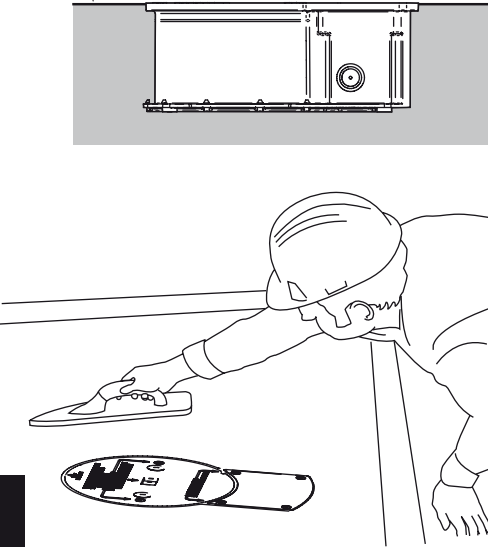


**1.** Connect luminaire to suitable power supply.

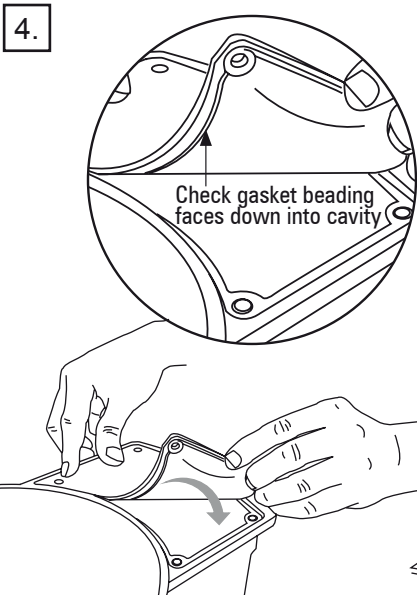
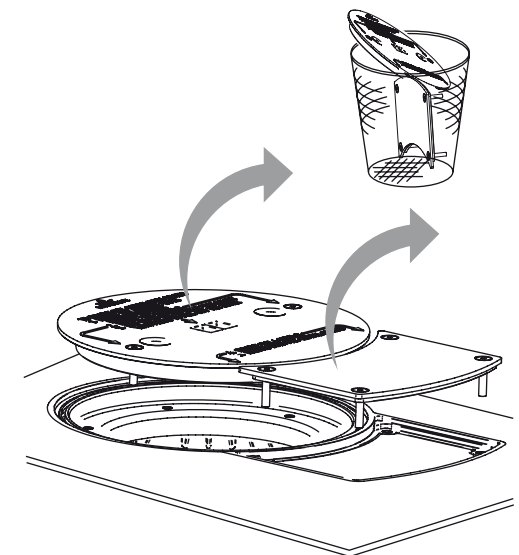


**Power supply must be isolated prior to connection or disconnection of cables. Failure to do so will result in damage to the luminaire components.**

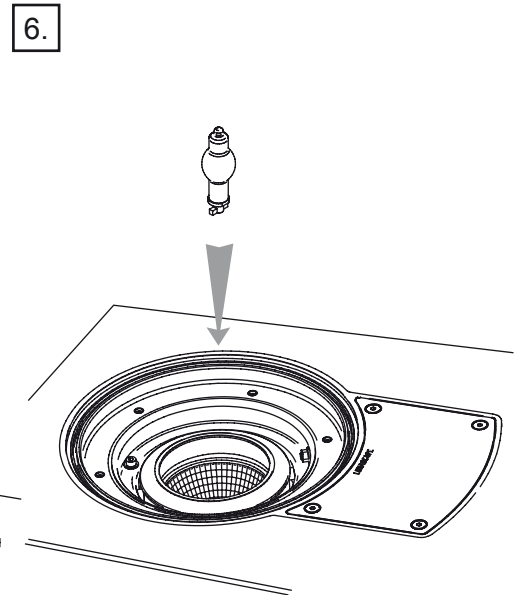
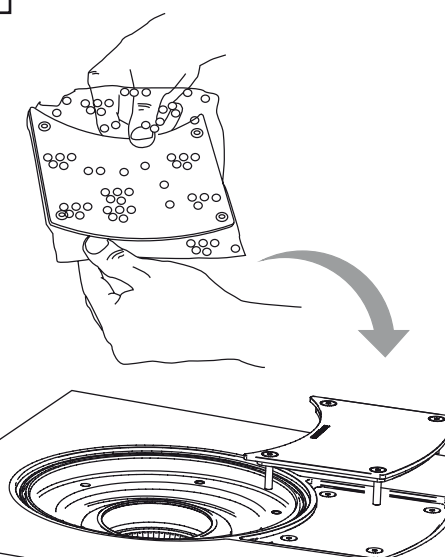
**2.** Flushed floor/ground level



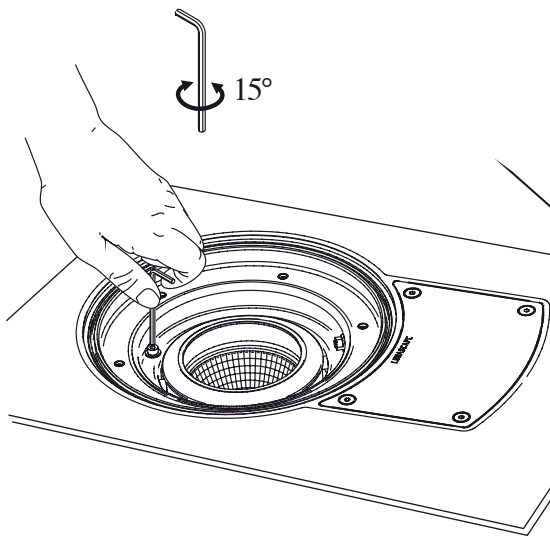
**3.** Discard plastic lid and black o-ring. Discard aluminium lid. **RETAIN GASKET.**



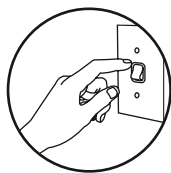
**5.** Fit stainless steel lid. Tighten screws.



7.

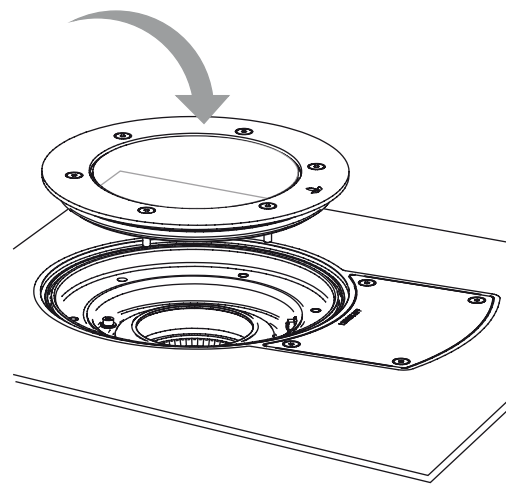


8.

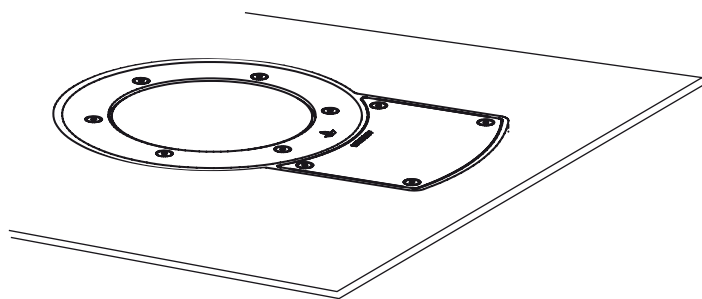


15 Min.

9.



10.



**Questions?**

**Call 07 3286 2299**

**Email [sales@lumascope.com.au](mailto:sales@lumascope.com.au)**

**[www.lumascope.com.au](http://www.lumascope.com.au)**

## **SAFETY INSTRUCTIONS**

### **WARNING - To reduce the risk of FIRE or INJURY:**

1. Luminaires and transformers to be installed by quality installers only.
2. Luminaires to be used for intended purpose only. e.g. Wall Mount fittings must be wall mounted.
3. Luminaires can become very hot. Use discretion in placement.
4. Do not touch hot lens, guard, or enclosure.
5. CAUTION - HOT SURFACE. Keep away from curtains and other combustible material.
6. Turn Off/Unplug and allow to cool before replacing lamp.
7. Keep lamp away from materials that may burn.
8. Never touch lamp with bare fingers. Oil from skin may damage lamp. Hold lamp with soft cloth when installing or replacing.
9. Do not operate the luminaires with a missing or damaged parts.
10. Replace any cracked protective shield.
11. Use only lamp type, voltage and wattage as specified by Lumascope on the product label.
12. Use only genuine Lumascope parts to replace damaged or missing components.
13. Refer to instructions for installation and operating requirements.
14. Ensure installation complies with local regulations

**Voltage insulation test (megger) will permanently damage product and will void warranty.**

**SAVE THESE INSTRUCTIONS.**