



LumascapE Lighting Industries Pty Ltd
 38-44 Enterprise Street, Cleveland, QLD 4163, Australia
 PO Box 1875, Cleveland D.C., QLD 4163, Australia
 T 07 3286 2299
 F 07 3286 6599
 E sales@lumascapE.com.au
 W www.lumascapE.com.au

INSTALLATION INSTRUCTIONS

A.C.N. 0105 72 773

LUMASCAPE

LS353LED Shallow Inground with MicroAntileach™ cable

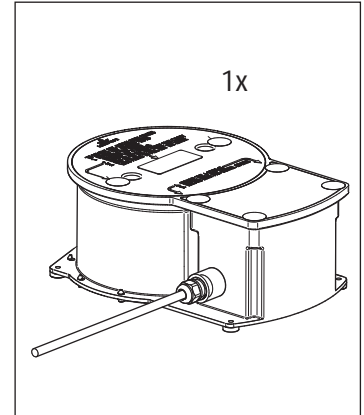
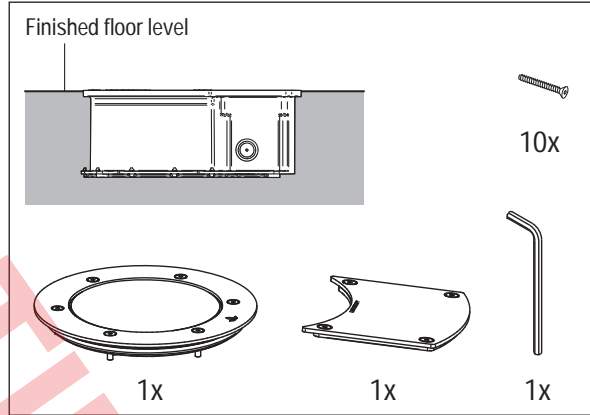
FOR OUTDOOR USE

Warranty void if not installed as per installation instructions

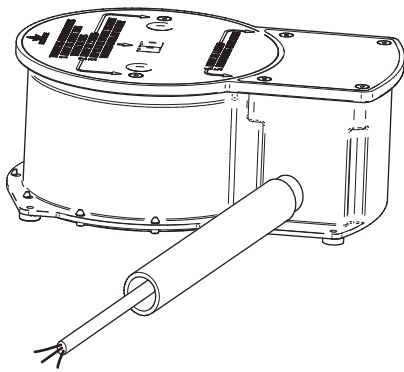
DANGER

ISOLATE LUMINAIRE FROM POWER

Failure to isolate power supply before installation or maintenance may result in fire, serious injury, electric shock, death and may damage the luminaire.

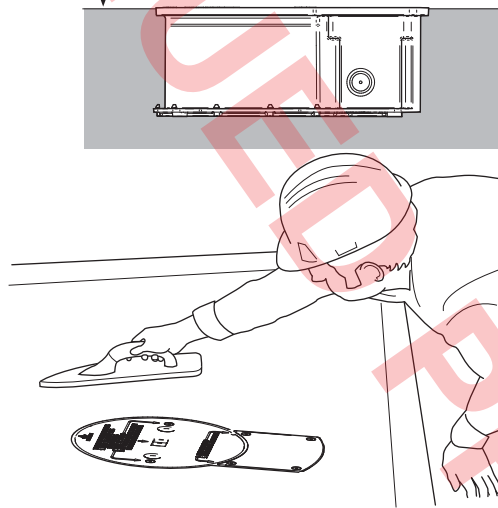


1. Connect luminaire to suitable power supply.

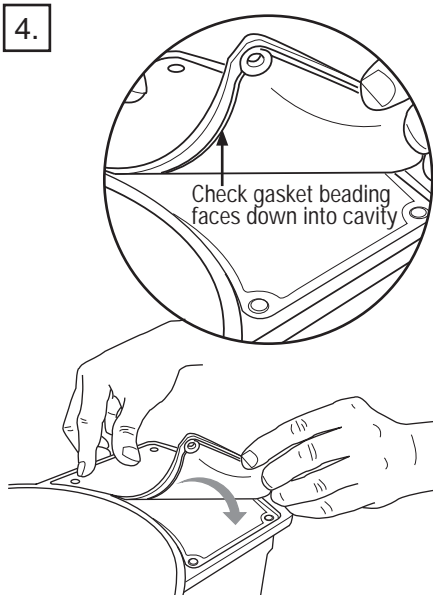
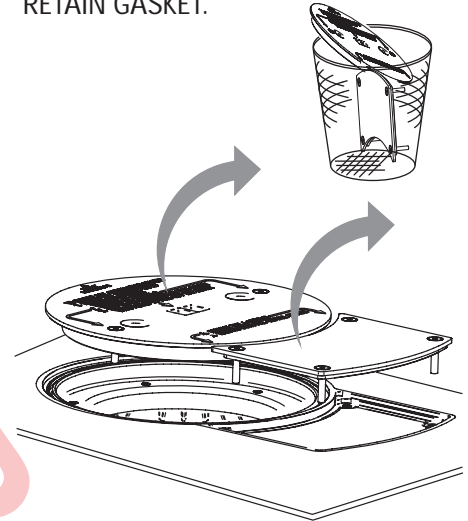


Power supply must be isolated prior to connection or disconnection of cables. Failure to do so will result in damage to the luminaire components.

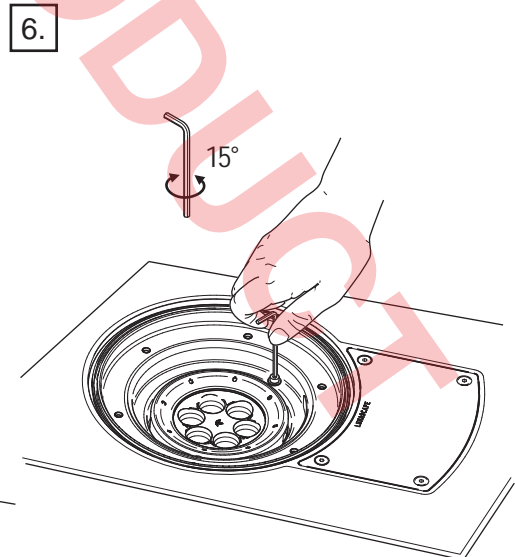
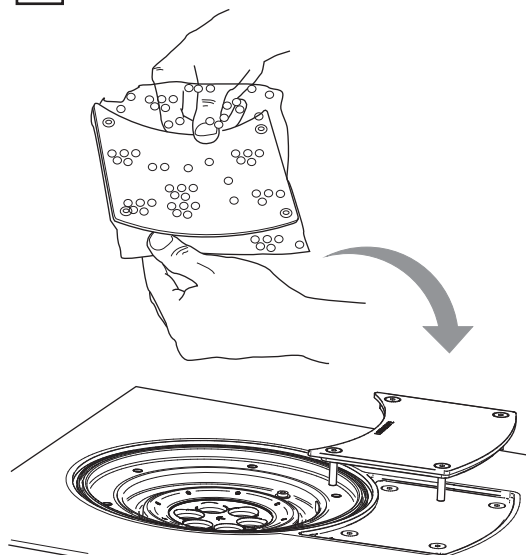
2. Flush floor/ground level



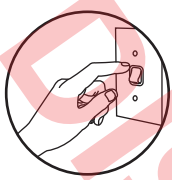
3. Discard plastic lid and black O-ring. Discard aluminium lid. RETAIN GASKET.



5. Fit stainless steel lid. Tighten screws.

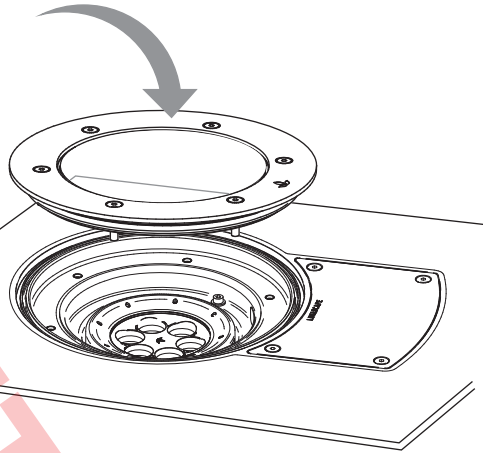


7.

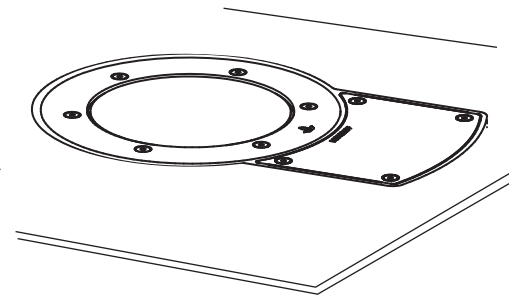


15 Min.

8.



9.



Questions?

Call +61 7 3286 2299

Email sales@lumascope.com.au

www.lumascope.com.au

SAFETY INSTRUCTIONS

WARNING - To reduce the risk of FIRE or INJURY:

1. Luminaires and transformers to be installed by licensed electrical contractors.
2. Luminaires to be used for intended purpose only.
3. Do not operate the luminaires with a missing or damaged parts.
4. Use only genuine Lumascope parts to replace damaged or missing components.
5. Refer to instructions for installation and operating requirements.
6. Ensure installation complies with local regulations

Voltage insulation test (megger) will permanently damage product and will void warranty.

SAVE THESE INSTRUCTIONS.